



Wet/Dry Vacuums

Operator's Manual



Wall Mountable Wet/Dry Vacuum
Model No. VWM510

FOR YOUR SAFETY

Read and understand this manual before use

Keep this manual for future reference



3084514
CONFORMS TO UL
STD.No.1017
Certified to CSA STD.
C22.2 No.243-01

www.vacmaster.com
[Cleva North America](#)
[44 Parkway Commons, Greer, SC 29650](#)

TABLE OF CONTENTS

SECTION	Page
Warranty.....	2
Safety Instructions and Warnings.....	3
Double Insulation Instructions.....	4
Extension Cord.....	4
Unpacking and Checking Carton Contents.....	5
General Assembly Instructions.....	6
Dry Vacuum Operation.....	8
Liquid Vacuum Operation.....	9
Blowing Operation.....	10
Maintenance.....	10
Installing & Cleaning Cartridge Filter.....	11
Installing & Cleaning Foam Sleeve Filter.....	11
Resetting the Remote Control.....	12
Troubleshooting.....	13
Exploded View and Parts List.....	14

Thank you for purchasing this Vacmaster™ wet/dry vacuum cleaner. Feel confident that with Vacmaster™ you are obtaining a high quality product engineered for optimal performance. This vacuum is capable of picking up liquids and dry materials.

FOR YOUR SAFETY: CAREFULLY READ AND UNDERSTAND ALL INSTRUCTIONS

WARRANTY

We take pride in producing a high quality, durable product. This Vacmaster™ product carries a limited two (2) year warranty against defects in workmanship and materials from date of purchase under normal household use. If product is to be used for commercial, industrial or rental use, a 90 day limited warranty will apply. Warranty does not apply to defects due to direct or indirect abuse, negligence, misuse, accidents, repairs or alterations and lack of maintenance. Please keep your receipt as proof of purchase. This warranty gives you specific legal rights, and you may have other rights, which vary from state to state. For product service call Customer Service at (866) 384-8432

Changes or modifications not expressly approved by the party responsible for compliance could void the user's authority to operate the equipment

This device complies with part 15 of the FCC rules. Operation is subject to the following two conditions (1) this device may not cause harmful interference, and (2) this device must accept any interference received, including interference that may cause undesired operation.

SAFETY INSTRUCTIONS & WARNINGS

IMPORTANT SAFETY INSTRUCTIONS

Read and understand all instructions before using this vacuum

Read and understand this owner's manual and all labels on the Wet/Dry Vacuum cleaner before operating. Safety is a combination of common sense, staying alert and knowing how your vacuum works. Use this Wet/Dry Vac only as described in this manual. To reduce the risk of personal injury or damage to your Wet/Dry Vac, use only Vacmaster™ recommended accessories.

For Household Use Only.

SAVE THIS MANUAL FOR FUTURE REFERENCE.

WARNING: TO REDUCE THE RISK OF FIRE, ELECTRIC SHOCK OR INJURY:

- Do not run vac unattended.
- Do not vacuum, or use this Wet/Dry Vac near flammable liquids, gases, or explosive vapors like gasoline or other fuels, lighter fluids, cleaners, oil-based paints, natural gas, hydrogen, or explosive dusts like coal dust, magnesium dust, grain dust, or gun power. Sparks inside the motor can ignite flammable vapors or dust.
- Do not vacuum anything that is burning or smoking, such as cigarettes, matches, or hot ashes.
- Keep cord away from heated surfaces.
- Do not expose to rain. Store indoors.
- Do not unplug by pulling on cord. To unplug, grasp the plug, not the cord.
- Do not use with damaged cord, plug or other parts.
- If your Wet/Dry Vac is not working as it should, has missing parts, has been dropped or damaged, left outdoors or dropped into water, return it to an independent service center.
- Do not pull or carry by cord, use cord as handle, close a door on cord, or pull cord around sharp edges or corners.
- Do not run Wet/Dry Vac over cord.
- Do not handle plug or the Wet/Dry Vac with wet hands.
- To reduce the risk of health hazards from vapors or dusts, do not vacuum toxic materials.
- Do not use or store near hazardous materials.
- Do not use this Wet/Dry Vac with a torn filter or without the filter installed except when vacuuming liquids as described in the operation section of this manual.
- Do not allow to be used as a toy. Close attention is necessary when used by or near children.
- To reduce the risk of injury from accidental starting, unplug power cord before changing or cleaning filter.
- Do not leave Wet/Dry Vac unattended when plugged in. Unplug from outlet when not in use and before servicing.
- Turn off Wet/Dry Vac before unplugging.
- Do not put any object into ventilation openings. Do not vacuum with any ventilation openings blocked; keep free of dust, lint, hair or anything that may reduce air flow.
- Keep hair, loose clothing, fingers, and all parts of body away from openings and moving parts.
- To reduce the risk of falls, use extra care when cleaning on stairs.

When using as blower:

- Direct air discharge only at work area.
- Do not use Wet/Dry Vac as a sprayer.
- Do not direct air at bystanders.
- Keep children away when blowing.
- Wear safety goggles.

DOUBLE INSULATION INSTRUCTIONS

删除的内容:

删除的内容: Warnings

This Wet/Dry Vac is double-insulated, eliminating the need for a separate grounding system. Use only identical replacement parts. Read the instructions for Servicing Double-Insulated Wet/Dry Vacs before servicing. Use this Wet/Dry Vac as described in this manual.

Observe the following warnings that appear on the motor housing of your Wet/Dry Vac.




DOUBLE INSULATED - GROUNDING NOT REQUIRED - WHEN SERVICING USE ONLY IDENTICAL REPLACEMENT PARTS.

WARNING: TO REDUCE THE RISK OF ELECTRIC SHOCK-DO NOT EXPOSE TO RAIN. STORE INDOORS.

WARNING: FOR YOUR OWN SAFETY, READ AND UNDERSTAND OPERATOR'S MANUAL. DO NOT RUN UNATTENDED. DO NOT PICK UP HOT ASHES, COALS, TOXIC, FLAMMABLE OR OTHER HAZARDOUS MATERIALS, DO NOT USE AROUND EXPLOSIVE LIQUIDS OR VAPORS.

CAUTION:

- Do not vacuum drywall dust or fireplace soot or ash with standard Wet/Dry filter. This is very fine dust which will not be captured by the filter and may cause damage to motor. When vacuuming fine dust use a fine dust filter (sold separately).

WARNING: SERVICING OF DOUBLE-INSULATED WET/DRY VACUUM WITH A DOUBLE-INSULATED WET/DRY VACUUM, TWO SYSTEMS OF INSULATION ARE PROVIDED INSTEAD OF GROUNDING. NO GROUNDING MEANS IS PROVIDED ON A DOUBLE-INSULATED APPLIANCE, NOR SHOULD A MEANS FOR GROUNDING BE ADDED. SERVICING A DOUBLE INSULATED WET/DRY VACUUM REQUIRES EXTREME CARE AND KNOWLEDGE OF THE SYSTEM, AND SHOULD BE DONE ONLY BY QUALIFIED SERVICE PERSONNEL. REPLACEMENT PARTS FOR A DOUBLE-INSULATED WET/DRY VACUUM MUST BE IDENTICAL TO THE PARTS THEY REPLACE. YOUR DOUBLE-INSULATED WET/DRY VAC IS MARKED WITH THE WORDS 'DOUBLE INSULATED' AND THE SYMBOL  (SQUARE WITHIN A SQUARE) MAY ALSO BE MARKED ON THE APPLIANCE.

- DO NOT use without filters in place.

CAUTION: TO REDUCE THE RISK OF INJURY FROM MOVING PARTS- UNPLUG BEFORE SERVICING.

EXTENSION CORDS

删除的内容:

When using an extension cord with your Wet/Dry Vac refer to the following table to determine the required A.W.G. wire size. Before using the cleaner make sure the power cord and extension cord are in good working conditions. Make repairs or replacements before using the vacuum cleaner. Only use extension cords that are rated for outdoor use.

110V-120V Amps	Length of Extension Cord			
	25 Feet 7.5 Meter	50 Feet 15.25 Meters	100 Feet 30.5 Meters	150 Feet 45.7 Meters
A.W.G Wire Size				
0-6	18	16	16	14
7-10	18	16	14	12
11-12	16	16	14	12

删除的内容: v 1.0

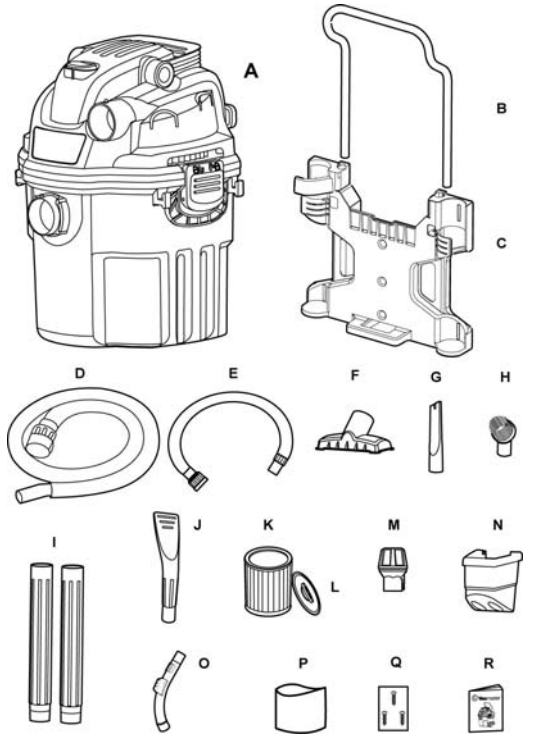
13-16	14	12	Not recommended
-------	----	----	-----------------

UNPACKING AND CHECKING CARTON CONTENTS

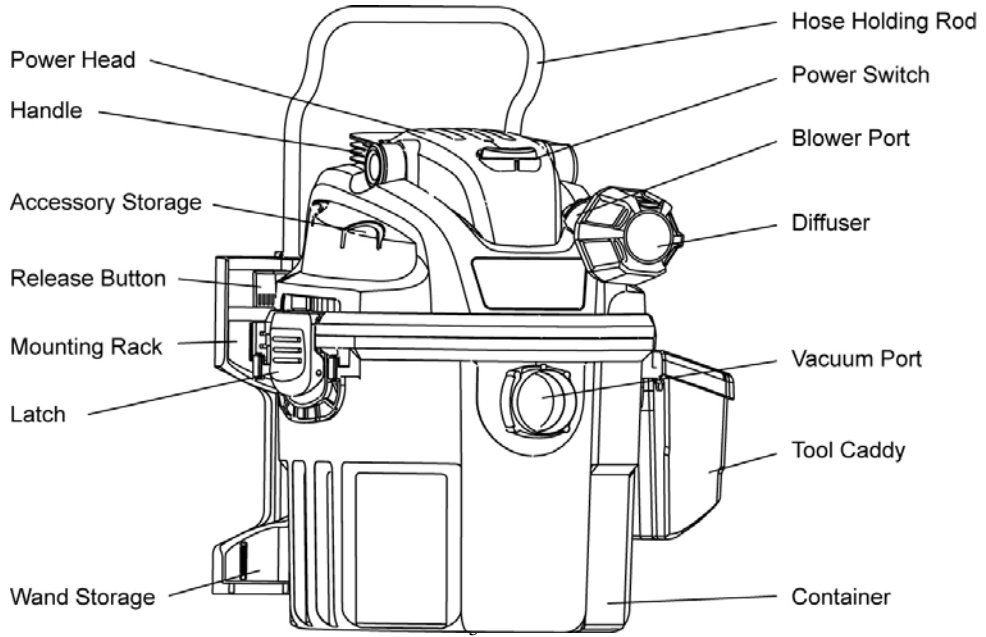
Remove entire contents of carton. Check each item against the carton contents list.

Carton contents lists

Key	Description.....	QTY
A	Vac Assembly.....	1
B	Hose Holding Rod	1
C	Mounting Rack	1
D	11-Foot Hose.....	1
E	10-Foot Flex Hose.....	1
F	Utility Nozzle.....	1
G	Crevice Tool	1
H	Round Dusting Brush	1
I	Extension Wands	2
J	Car Nozzle	1
K	Cartridge Filter.....	1
L	Filter Retainer.....	1
M	Air/Noise Diffuser	1
N	Side Tool Caddy.....	1
O	Remote Control Handle.....	1
P	Foam Filter.....	1
Q	Screws.....	3
R	Operator's Manual.....	1



NOTE: The hose and accessories for this vacuum are 1 7/8" diameter.

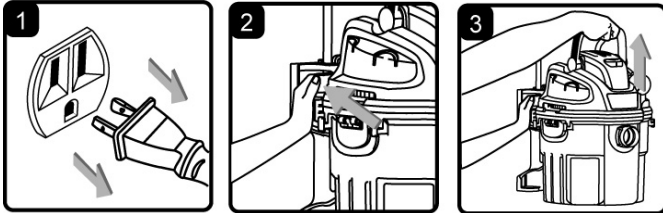


刪除的内容: v 1.0

UNPACKING YOUR WET/DRY VACUUM & GENERAL ASSEMBLY

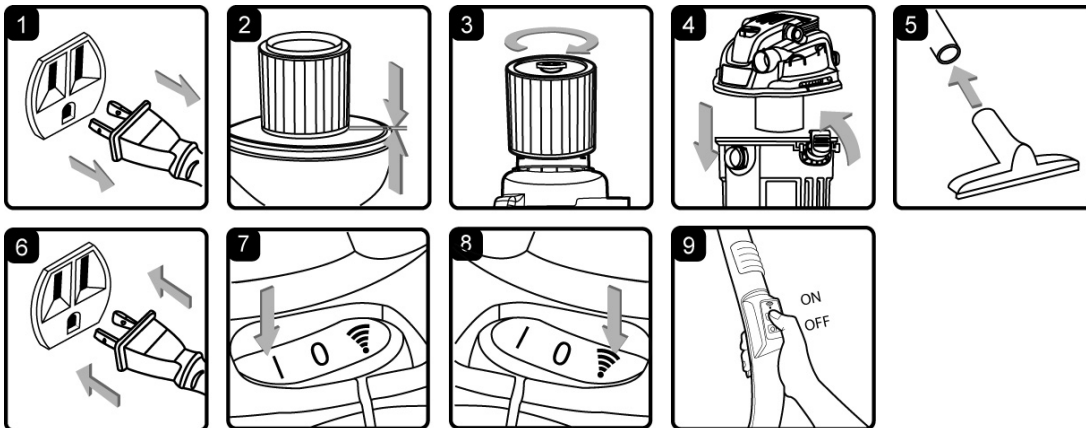
1. Verify that the power cord is disconnected from the outlet. (fig. 1)
2. Undo the latches. (fig. 2)
3. Lift the power head off of the container. (fig. 3)
4. Remove the contents from inside the container, make sure you have all contents as listed on page 5. (fig. 4)
5. Replace the power head to the container and insert the noise diffuser into the blowing port. (fig. 5)

DISMOUNTING THE VACUUM FROM THE RACK



1. Disconnect the power cord from the electrical outlet. (fig. 1)
2. Press the release lever with your left hand. (fig. 2)
3. Lift the vacuum up and out of the rack by the handle with your right hand. (fig. 3)

DRY-VACUUM OPERATION



刪除的內容: v 1.0

DRY VACUUMING

WARNING: BE SURE TO READ, UNDERSTAND, AND APPLY INFORMATION, ENTITLED 'SAFETY INSTRUCTIONS & WARNINGS'. DO NOT VACUUM IN AREAS WITH FLAMMABLE GASES, VAPORS, OR EXPLOSIVE DUSTS IN THE AIR. FLAMMABLE GASES OR VAPORS INCLUDE BUT ARE NOT LIMITED TO; LIGHTER FLUID, SOLVENT TYPE CLEANERS, OIL-BASE PAINTS, GASOLINE, ALCOHOL OR AEROSOL SPRAYS. EXPLOSIVE DUSTS INCLUDE BUT ARE NOT LIMITED TO; COAL, MAGNESIUM, GRAIN OR GUN POWDER. TO REDUCE THE RISK OF HEALTH HAZARDS FROM VAPORS OR DUST, DO NOT VACUUM TOXIC MATERIALS.

1. Verify that the power cord is disconnected from the outlet. (fig. 1)
2. In order to prepare your vacuum for dry vacuuming, verify that the cartridge filter is securely mounted. Make sure the filter is pushed in until it stops against the power head. (fig. 2) (Your Wet/Dry Vac comes with the cartridge filter pre-installed, if not see page 10 for installation instructions.)
3. Place filter retainer on top of cartridge filter and tighten down by turning the retainer handle clockwise. (fig. 3)
4. Place the power head back on the container, aligning the top section with the latches, and snap into place. (fig. 4)

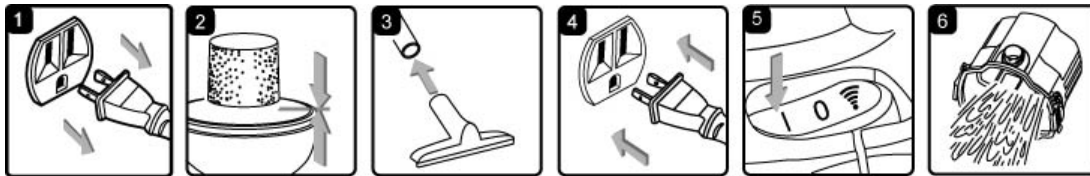
OPERATING INSTRUCTIONS: DRY VACUUMING

5. Insert the locking end of the hose into the vacuum port on the power head and lock in place. Push the required attachment onto the free end of the hose or extension. (fig. 5)
6. Plug in the power cord into the outlet and hang the vacuum onto the rack or use off the rack. (fig. 6)
7. Turn the motor on by flipping the switch to the 'I' ON position. (fig. 7) For remote control use, set the power switch to remote control position "📶" and turn the vacuum on by pressing the 'I' ON button on the remote control handle. (fig. 8 & 9)
8. Once you have completed vacuuming, flip the switch to the 'O' OFF position or press the 'O' OFF button on the remote control.

O = OFF I = ON 📶 = Remote Control

DO NOT USE THE CARTRIDGE FILTER FOR LIQUID VACUUMING.

LIQUID VACUUM OPERATION



LIQUID VACUUMING

WARNING: BE SURE TO READ, UNDERSTAND, AND APPLY INFORMATION, ENTITLED 'SAFETY INSTRUCTIONS & WARNINGS'. DO NOT VACUUM IN AREAS WITH FLAMMABLE GASES, VAPORS, OR EXPLOSIVE DUSTS IN THE AIR. FLAMMABLE GASES OR VAPORS INCLUDE BUT ARE NOT LIMITED TO; LIGHTER FLUID, SOLVENT TYPE CLEANERS, OIL-BASE PAINTS, GASOLINE, ALCOHOL OR AEROSOL SPRAYS. EXPLOSIVE DUSTS INCLUDE BUT ARE NOT LIMITED TO;

刪除的內容: v 1.0

COAL, MAGNESIUM, GRAIN OR GUN POWDER. TO REDUCE THE RISK OF HEALTH HAZARDS FROM VAPORS OR DUST, DO NOT VACUUM TOXIC MATERIALS.

WARNING: DO NOT PLUG IN POWER CORD TO POWER OUTLET, MAKE SURE PLUG IS DISCONNECTED BEFORE ASSEMBLING THE WET/DRY VAC

IMPORTANT! When vacuuming large quantities of liquids, we recommend that you remove the vacuum from the mounting rack and put it on the floor. The vacuum can be heavy when full of liquids and may be difficult to remove from the rack.

1. Verify that the power cord is disconnected from the outlet. Verify that the container is clean and free of dust and dirt. (fig. 1)
2. Remove cartridge filter, then carefully install the foam sleeve filter over the filter cage and place the power head back on the container. (fig. 2) See filter installing instructions on page 11.

DO NOT USE THE CARTRIDGE FILTER FOR LIQUID VACUUMING.

OPERATING INSTRUCTIONS – WET VACUUMING

3. Fit the desired nozzle to the vacuum hose. (fig. 3)
4. Verify that the switch is in the 'O' OFF position before plugging the power cord into the outlet. (fig. 4)
5. For large amounts of liquid vacuuming, it is recommended to place the vacuum on the floor. Turn the motor on by flipping the switch on the power head to the 'I' ON position or flip the switch to the Remote Control Position and use the 'I' ON button on the remote control. (fig. 5 & 6)

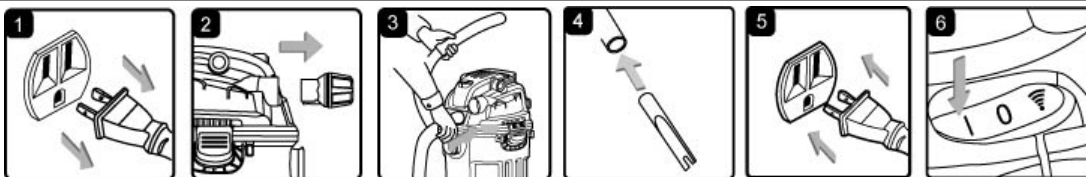
CAUTION: DO NOT SUBMERGE THE REMOTE CONTROL INTO LIQUIDS

6. After wet vacuuming, turn the machine off and remove plug from power supply. To prevent the risk of possible mildew, empty the container, clean and dry the inside and outside of the container, and remove the foam filter and allow to air dry before storage.

IMPORTANT! When vacuuming large quantities of liquids, do not immerse the nozzle completely in the liquid; leave a gap at the tip of the nozzle opening to allow air inflow. The machine is fitted with a float valve that stops the suction action when the container reaches its maximum capacity. You will notice an increase in motor speed. When this happens, turn off the machine, disconnect from power supply, and empty the liquid into a suitable receptacle or drain. To continue vacuuming, refit the power head to the container. After wet vacuuming, turn the machine off and remove plug from power supply. To prevent the risk of possible mildew, empty the container, clean and dry the inside and outside of the container, and remove the foam filter and allow to air dry before storage.

REMEMBER! The foam filter must be removed after wet vacuuming, and a cartridge filter must be installed before dry vacuuming again.

BLOWING OPERATION



This Wet/Dry Vac has blowing capabilities. To use the blower feature follow the instructions listed.

WARNING: ALWAYS WEAR SAFETY GOGGLES COMPLYING WITH ANSI Z87.1 (OR IN CANADA, CSAZ94.3) BEFORE USING BLOWER.

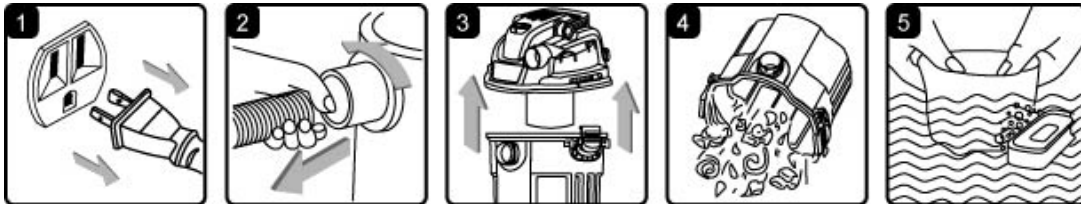
WARNING: KEEP BYSTANDERS CLEAR FROM BLOWING DEBRIS.

刪除的內容: v 1.0

WARNING: WEAR A DUST MASK IF BLOWING CREATES DUST THAT MIGHT BE INHALED.

1. Verify that the power cord is disconnected from the outlet. (fig. 1)
2. Make sure the container is empty before using as a blower.
3. Remove the noise diffuser from the blower port. (fig. 2)
4. Remove hose from the vacuum port and insert the locking end of the hose into the blowing port on the power head and lock into position. (fig. 3)
5. Fit the desired extension wand and or nozzle to the free end of the vacuum hose. (fig. 4)
6. Ensure the power switch is turned off and plug in the power supply. (fig. 5)
7. Before turning ON the vac, firmly hold loose end of the hose. Turn the motor on by flipping the switch to the 'I' ON position or use the vac with switch set to remote control setting and the remote control. (fig. 6)

MAINTENANCE



1. Verify that the power cord is disconnected from the outlet. (fig. 1)
2. Disconnect the hose from the vacuum. (fig. 2)
3. Remove the vacuum from the mounting rack.
4. Undo the latches and remove the power head from the container. (fig. 3)
5. Clear all dirt or debris from the container and hose. (fig. 4)
6. Clean the foam filter by washing it with water and mild soap. (fig. 5)
7. Check the hose, attachments, and power cord to verify that they have not been damaged.

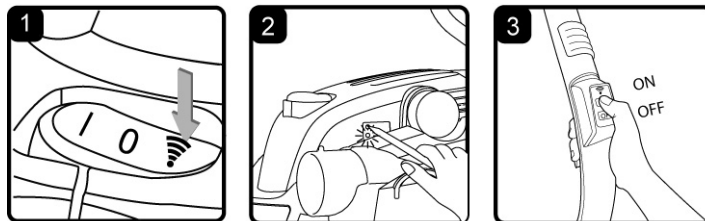
IMPORTANT! Clean or change the cartridge filter regularly for best performance. **ALWAYS USE CARTRIDGE FILTER FOR DRY VACUUMING.** If the machine is used without the cartridge filter, the motor will burn out and the warranty will be voided. Always keep spare filters on-hand.

NOTICE! The filters included are made of high quality materials designed to stop small dust particles. The cartridge filter should be used for dry pick-up and small amounts of liquids. A dry cartridge filter is necessary to pick up dust. If the cartridge filter is wet, it will clog quickly and be difficult to clean. Handle the filter carefully when removing it for cleaning and replacing it. Check the filters for tears or small holes, a small hole can let dust pass through and out of the cleaner. Do not use a filter with holes or tears in it, replace it immediately.


WARNING: ALWAYS DISCONNECT THE PLUG FROM THE POWER OUTLET BEFORE REMOVING THE POWER HEAD FROM THE CONTAINER.

RESETTING THE REMOTE CONTROL

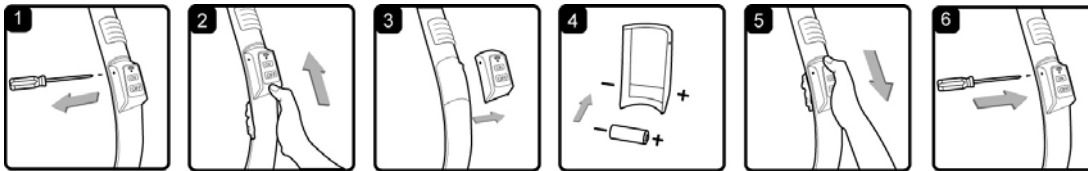
Resetting The Remote Control



刪除的内容: v 1.0

1. Set the power switch to remote control position “”. (fig. 1)
2. Press the RESET button on the side of the power head with a pen tip until the indicator lights up. (fig. 2)
3. Within the 15 seconds, press and hold the “ON” or “OFF” button on the remote control. If you didn't press and hold the “ON” or “OFF” button within the 15 seconds, it will cancel this resetting. (fig. 3)
4. When the light blinks 3 times, this means the remote control is programmed.

Changing The Battery – Replace Only With A 23AE 12V Alkaline Battery



1. Take a Phillips Screw driver and remove the screws on the remote control. (fig. 1)
2. Slide back and lift the remote cover. (fig. 2 & 3)
3. Remove the old battery and insert the new battery with the terminals in the direction shown. (fig. 4)
4. Replace the remote cover by aligning the markers on the cover on the handle and slide into place. (fig. 5)
5. Secure the cover with the screws. Do not over tighten. (fig. 6)

TROUBLESHOOTING

WARNING: TO REDUCE THE RISK OF ELECTRIC SHOCK-UNPLUG BEFORE TROUBLESHOOTING

Symptom	Possible Causes	Corrective Action
Vacuum will not operate	1) No power supply.	1) Check power supply – cord,

		breakers, fuses.
	2) Faulty power cord.	2) Unplug and check the power cord. If damaged, have it repaired by a professional.
	3) Container full.	3) Empty container.
	4) Switch in the wrong position	4) Press the ON 'I' button on the power head.
Dust comes out from motor cover.	1) The cartridge filter is missing or damaged.	1) Attach or replace cartridge filter.
Reduced efficiency and motor/speed vibration.	1) There is a blockage in the nozzle, hose, or the container inlet. The cartridge filter is clogged by fine dust.	1) Check nozzle, hose and container inlets for blockage. Take off the filter and clean it. Or install new cartridge filter.
Remote will not operate	1) Battery is dead.	1) Replace the battery.

删除的内容: v 1.0

