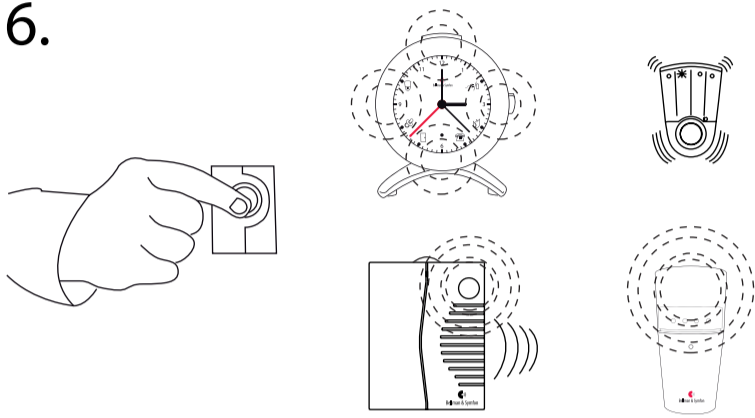


Foldable instructions BE1240

BE1240_013MAN004

6.

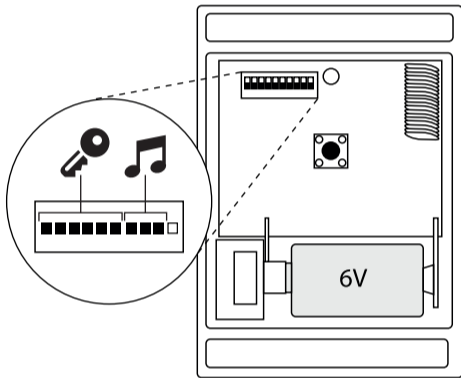


Bellman® Visit

Pushbutton transmitter / Türklingelsender
Pulsador-transmisor / Tryckknappssändare
BE1240



 Bellman & Symfon®



Bellman & Symfon

Model No.: BE1240
FCC ID: WMSBETX2
IC: 6693A-BETX2

This device complies with part 15 of the FCC rules. Operation is subject to the following two conditions: (1) This device may not cause harmful interference, and (2) This device must accept any interference received, including interference that may cause undesired operation.

This device complies with Industry Canada licence-exempt RSS standard(s). Operation is subject to the following two conditions: (1) this device may not cause interference, and (2) this device must accept any interference, including interference that may cause undesired operation of the device.

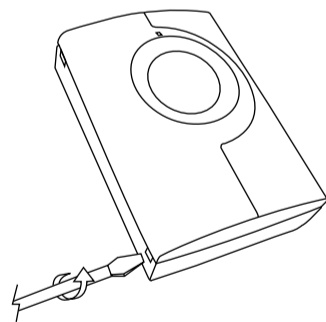
Le présent appareil est conforme aux CNR d'Industrie Canada applicables aux appareils radio exempts de licence. L'exploitation est autorisée aux deux conditions suivantes: (1) l'appareil ne doit pas produire de brouillage, et (2) l'utilisateur de l'appareil doit accepter tout brouillage radioélectrique subi, même si le brouillage est susceptible d'en compromettre le fonctionnement.

Warning: Changes or modifications to this unit not expressly approved by the party responsible for compliance could void the user's authority to operate the equipment. Made in PRC

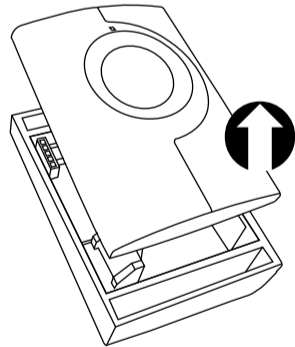
Bellman & Symfon AB | S. Långebergsgatan 30 | SE-421 32 Västra Frölunda | Sweden
Tel +46 (0)31 - 682820 | Fax: +46 (0)31 - 682890 | info@bellman.se
www.bellman.se | www.bellman.com | www.bellman.de

 Bellman & Symfon®

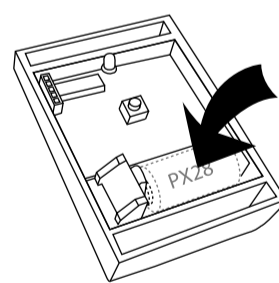
1.



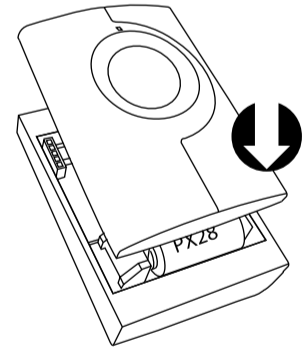
2.



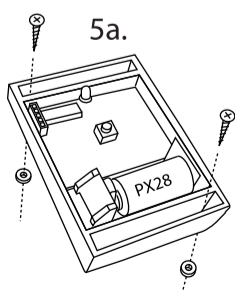
3.



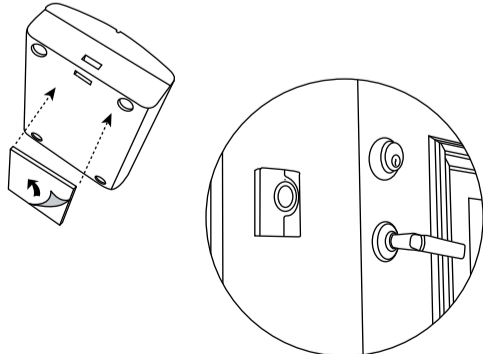
4.



5a-b.



5b.



5c.

