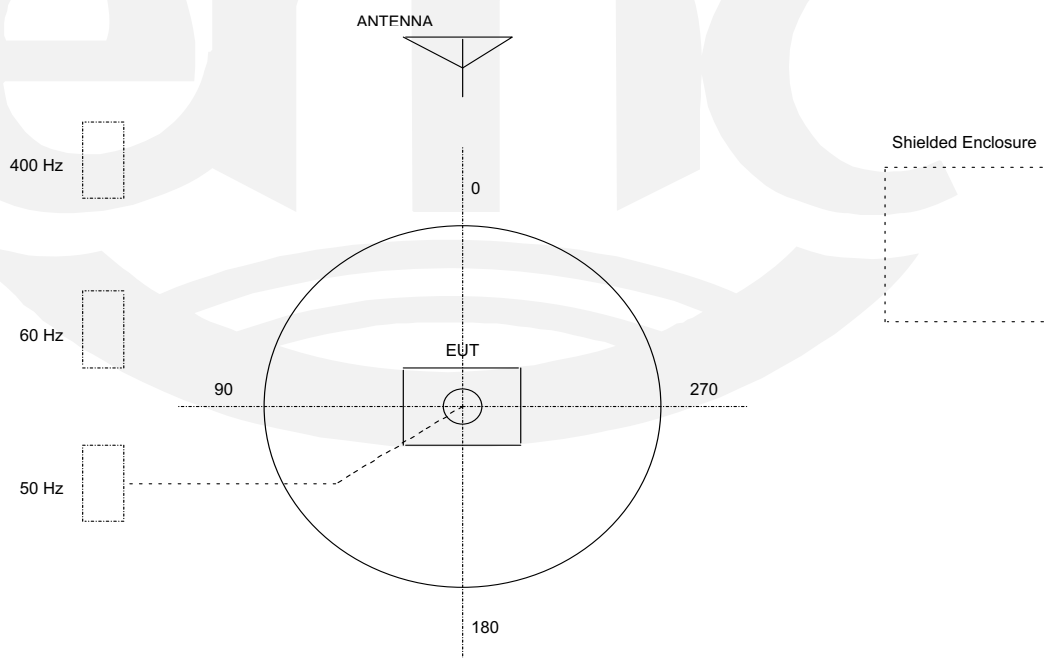


TEST SETUP FOR EMISSIONS TESTING

WILD RIVER LAB Large Test Site

Notes:

1. Items shown in dotted lines are located on the floor below the test area. It is 5 meters vertically from the ground floor to the test area.
2. 50 Hz, 60 Hz, and 400 Hz are power panels for alternating current.
3. The antenna may be positioned horizontally 3, 10 or 30 meters from the center of the turntable.
4. The circle is a 6.7 meter diameter turntable.
5. A ground plane is in the plane of this sheet.
6. The test sample is shown in the azimuthal position representing zero degrees.



Test-setup photo(s):
General Field Strength Limits 0.009 – 30 MHz
Antenna AN4250 / AN4260



Test-setup photo(s):
General Field Strength Limits 0.009 – 30 MHz
Antenna AN4110
Testing performed under file number WC705658



Test-setup photo(s):
General Field Strength Limits 0.009 – 30 MHz
Antenna AN4500
Testing performed under file number WC705658



Test-setup photo(s):
General Field Strength Limits 0.009 – 30 MHz
Antenna AN4711
Testing performed under file number WC705658



Test-setup photo(s):
Radiated Emissions 30 - 1000 MHz
Antenna AN4250
Testing performed under file number WC705658



Test-setup photo(s):
Radiated Emissions 30 - 1000 MHz
Antenna AN4250
Testing performed under file number WC705658



Test-setup photo(s):
Radiated Emissions 30 - 1000 MHz
Antenna AN4260
Testing performed under file number WC705658



Test-setup photo(s):
Radiated Emissions 30 - 1000 MHz
Antenna AN4260
Testing performed under file number WC705658



Test-setup photo(s):
Radiated Emissions 30 - 1000 MHz
Antenna AN4110
Testing performed under file number WC705658



Test-setup photo(s):
Radiated Emissions 30 - 1000 MHz
Antenna AN4500
Testing performed under file number WC705658



Test-setup photo(s):
Radiated Emissions 30 - 1000 MHz
Antenna AN4711
Testing performed under file number WC705658



Test-setup photo(s):
Conducted Emissions 150 kHz - 30 MHz
Testing performed under file number WC703058

