

MINIX[™]
Next Generation Computing

NEO X5mini 8GB

Dual Core Media Hub
for Android[™]

Setup Guide

Android[™] is a trademark of Google Inc.

Thank you for purchasing MINIX NEO X5mini.

Follow this guide to setup your device.

MINIX NEO X5mini is a revolutionary smart media hub based on a ARM Cortex-A9 processor with Mali-400MP4 GPU and the latest Android™ OS. Sign into Google Play Store to download the favorite applications and install them directly into MINIX NEO X5mini.

YouTube™, Internet radio and lots of other applications are all readily available on Google Play Store. Alternatively, you could also download the applications through other third-party stores or to install the .apk files directly with the preloaded ApkInstaller.

MINIX NEO X5mini comes with Ethernet and Wi-Fi connection; you could connect to many of your devices within the same network and share the contents amongst them, such as videos, music and photos.

Content

Chapter 1: Connect	5
What's in the box	6
MINIX NEO X5mini at a glance	7
What you need	10
Setting up MINIX NEO X5mini	11
Chapter 2: Basic Setup	12
Language setup	13
Time zone setup	13
Wi-Fi setup (basic)	13
Chapter 3: Google Play Store	14
Chapter 4: Control	16
Different control methods	17
Using your MINIX remote	17
To use the GridShow launcher	17
Functions of the MINIX remote	18

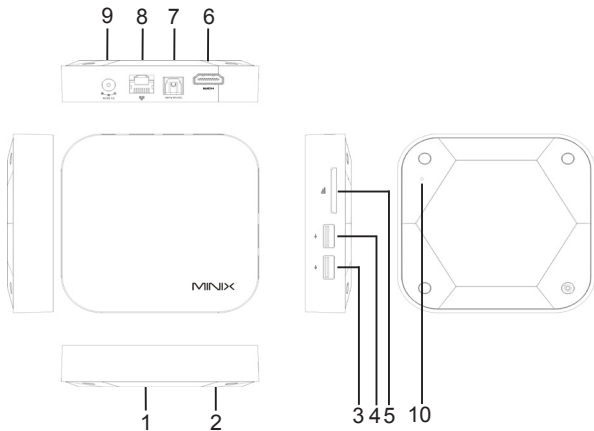
Chapter 1

Connect.

What's in the box

- MINIX NEO X5mini x 1
- MINIX remote x 1
- 5V Power adapter x 1
- HDMI cable x 1
- Setup guide x 1

MINIX NEO X5mini at a glance



1. IR receiver
2. Power LED
3. USB 2.0 port 1
4. USB 2.0 port 2
5. SD/MMC card slot

6. HDMI port
7. Optical audio port
8. Ethernet jack
9. DC 5V Power-in jack
10. Recover button

IR receiver

Use with the included MINIX remote to control MINIX NEO X5mini.

Power LED

The LED glows when the MINIX NEO X5mini is on.

SD/MMC card slot

Increase the storage size or read files directly from a SD/MMC card, support up to 32GB max.

Recover button

Restore factory settings.

HDMI port

Connect MINIX NEO X5mini to the HDMI port of a high-definition TV or PC monitor using an HDMI cable.

Optical audio port

Connect to the optical audio input of an external sound processing unit, such as an amplifier.

USB 2.0 ports

Connect an external USB device to MINIX NEO X5mini such as USB flash drive, receiver of wireless keyboard and mouse, USB mouse, receiver of wireless headset...etc.

Ethernet jack

Connect to the Ethernet cable for Internet access. If you need advanced setting such as PPPoE dial-up, go into the setting page at: **Settings ->More...** While connected with the Ethernet cable, MINIX NEO X5mini can be used as a router and also a Wi-Fi hotspot; if you need to use the Wi-Fi hotspot feature, please make sure that the Wi-Fi feature is OFF before you enable the Wi-Fi hotspot service at: Settings ->More...

DC 5V Power-in jack

Connect the 5V power adapter supplied in the package to this port. MINIX NEO X5mini requires less than 1A to operate however we have supplied a 5V 2A adapter with consideration that you need to connect to other power-drawing external devices such as an external hard drive.

What you need

To start using MINIX NEO X5mini, you need the following:

High-definition TV/ PC monitor

A high-definition TV or PC monitor that can display 720p or 1080p video with at least one HDMI input.

Cable

An HDMI cable to connect MINIX NEO X5mini to your TV.

Wireless network

A wired network cable or an 802.11 b, g, or n Wi-Fi wireless network (wireless video streaming requires 802.11g or n), your wireless network name and password.

Software and accounts

To play content (videos, photos, music) from a smartphone or PC on MINIX NEO X5mini, you need:

- A UPnP™/DLNA® software pre-loaded in your smartphone or PC.
- A Google account to sign-in to Google Play Store to download the corresponding applications (e.g. iMediaShare, eHomeMediacenter) necessary for streaming the content from a smartphone or PC.
- Other accounts may be required for full access to some Internet contents.

Setting up MINIX NEO X5mini

MINIX NEO X5mini connects to your TV or PC monitor through an HDMI port that delivers both audio and video. Before you set up MINIX NEO X5mini, look at the ports on the side/back of your TV or PC monitor to make sure you have the right cable:

- An HDMI cable: You can connect MINIX NEO X5mini to an HDTV or home theater receiver that has an HDMI port, using an HDMI cable for both video and audio.

Step 1: Connecting the cable

1. Connect one end of the HDMI cable to the HDMI port of your TV/ PC monitor.
2. Connect the other end of the cable to the HDMI port of MINIX NEO X5mini.

Step 2: Connecting the power

Connect the 5V power adapter supplied in the package to this port. Press and hold the power button for 2-3 seconds to power on MINIX NEO X5mini and the blue power LED glows when done.

Step 3: Turn on your TV/ PC monitor and select the input

Simply turn on your TV or PC monitor and select the corresponding HDMI port connected to MINIX NEO X5mini.

Chapter 2

Basic Setup.

Language setup

You may choose the desired system language by the following steps:

Launcher Home Screen > Settings > Language & input > Language

The default language is English, you may choose your desired language and confirm.

Time zone setup

You should adjust the time zone according to your current location by the following steps:

Launcher Home Screen > Settings > Date & time > Select time zone

Choose your time zone and confirm.

Wi-Fi setup (basic)

Connect to your wireless network so that you could access to the Internet by the following steps:

Launcher Home Screen > Settings > Wi-Fi > Check the option “To see available networks turn Wi-Fi on”

Wi-Fi will turn on and automatically scan the wireless networks available, then select the wireless network that you want to connect to and confirm, key-in the password of the Wi-Fi network when the virtual keyboard prompts, finally, hit the “Connect” button.

Chapter 3

Google Play Store.

Sign-in to your Google Account

Launch the Google Play Store by the following steps:

Launcher Home Screen -> Google Play Store, hit and confirm.

To use Google Play Store you need a Google Account. If you already had a Google Account, select “Sign in” and login with your Google Account. If you don’t have a Google Account yet, select “Get a Google Account” and complete the rest of the process.

Upon completion of the sign-in process will bring you into the Google Play Store which allows you to download and install the applications you need.

Alternatively, if you cannot find the applications you need on Google Play Store because of language restriction, location restriction or some other reasons; you may look for and download the application files in the form of “.apk” from the Internet and install them through the “ApkInstaller” which is pre-loaded in the system.

Chapter 4

Control.

Different control methods

You may control your MINIX NEO X5mini with the following input devices:

- 1.) RKRemoteControl App. (for Android Smartphone or tablet PC);
- 2.) Wired mouse;
- 3.) MINIX infrared remote control (included).

Using your MINIX remote

Read on to learn about using your MINIX remote with MINIX NEO X5mini. This remote will be 100% functional when working with our customized user interface - **the GridShow launcher**

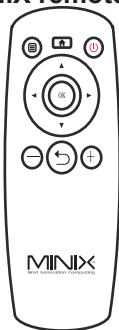
Note: The MINIX remote will still function if you are not using the GridShow launcher, however, some keys might become useless, e.g the STOP button.





To use the GridShow launcher:

Home -> Select "GridShow" launcher

Use the MINIX remote to control MINIX NEO X5mini settings and navigate your content. Make sure there are no obstructions between the MINIX remote and MINIX NEO X5mini.

Functions of the MINIX remote



-  **MENU** - Call out the options menu for your current screen or application running
-  **HOME** - Bring you back to the Home Screen (choose of launcher required)
-  **POWER** - To wake up from or put the MINIX NEO X5mini into sleep mode
-  **BACK** - Bring you back to the previous screen running or cancelling an activity

⊖ **VOLUME DOWN** - Adjust the system volume down

⊕ **VOLUME UP** - Adjust the system volume up

- **UP** - Move upward
- **LEFT** - Move left
- **RIGHT** - Move right
- **DOWN** - Move downward

OK - To confirm a particular action, and as an “Enter” key

Copyright © 2013 MINIX Tech. All rights reserved.

No part of this guide, including the products and software described in it, may be reproduced, transmitted, transcribed, stored in a retrieval system, or translated into any language in any form or by any means, except documentation kept by the purchaser for backup purposes, without the express written permission of MINIX. This clause does not apply to such software which is licensed under the General Public License (“GPL”) or other Free Open Source Licenses. Copies of the respective license terms, and where required an offer to provide the respective source code, are included in the product.

Google, Android, Gmail, Google Maps, Chrome, Google Play, YouTube, Google+, and other trademarks are property of Google Inc. A list of Google trademarks is available at <http://www.google.com/permissions/guidelines.html>. MINIX and the MINIX logo are trademarks of MINIX Tech. All other marks and trademarks are properties of their respective owners.

The content of this guide may differ in some details from the product or its software. All information in this document is subject to change without notice.

For online help and support, please visit www.minix.com.hk

FCC Warning Statement

Changes or modifications not expressly approved by the party responsible for compliance could void the user's authority to operate the equipment.

This equipment has been tested and found to comply with the limits for a Class B digital device, pursuant to Part 15 of the FCC Rules. These limits are designed to provide reasonable protection against harmful interference in a residential installation. This equipment generates uses and can radiate radio frequency energy and, if not installed and used in accordance with the instructions, may cause harmful interference to radio communications. However, there is no guarantee that interference will not occur in a particular installation. If this equipment does cause harmful interference to radio or television reception, which can be determined by turning the equipment off and on, the user is encouraged to try to correct the interference by one or more of the following measures:

- Reorient or relocate the receiving antenna.
- Increase the separation between the equipment and receiver.
- Connect the equipment into an outlet on a circuit different from that to which the receiver is connected.
- Consult the dealer or an experienced radio/TV technician for help.

FCC Radiation Exposure Statement

The antennas used for this transmitter must be installed to provide a separation distance of at least 20 cm from all persons and must not be co-located for operating in conjunction with any other antenna or transmitter.



Note: This device can not communicate with PC