

INTRODUCTION

1. GENERAL DESCRIPTION

Model No	AIR WAVE P/N
	MA-96

Below is a table summarizing the antenna design specification.

1.2 Electrica Properties

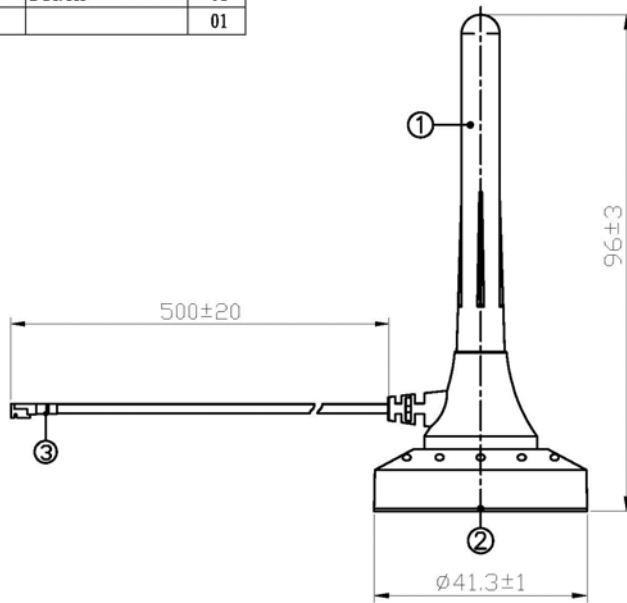
Parameter	Description
Frequency Band	800/900/1800/1900/2100MHz
Nominal Impedance	50 ohm
Polarization	Vertical
Return Loss	Please See Data-1
V.S.W.R	2.0:1
Note: Gain includes the cable loss	


1.2 Mechanical Properties

Parameter	Description
Antenna Type	External Antenna
Touch Type	Screw Type
Connector Type	I-PEX
Antenna Dimensions	96 mm \pm 3
Antenna Cable Total Length	500 mm \pm 20
Antenna Color	Black
Operating Temperature Range	-20°C~+60°C
Storage Temperature Range	-30°C~+70°C

2. Appearance

NO.	Name	Finish	Q, TY
01	Antenna	Black	01
02	Base	Black	01
03	RG-178 + I-PEX		01



 Third angle projection	CUSTOMER'S	MODEL	PARTS NUMBER	FREQUENCY	UNIT	SCALE	DATE	VERSION
					800/900/1800/1900/2100MHz	M/M		20090403
豪璿企業有限公司	TOLERANCE	X. XX±0.15	NAME	PARTS NUMBER	APPROVED	CHECKED	DRAWING	DESIGNED
	SURFACE ROUGHNESS	$\frac{S}{\sqrt{V}}$	APPEARANCE					

3. Frequency

S11 FORWARD REFLECTION
CHN1

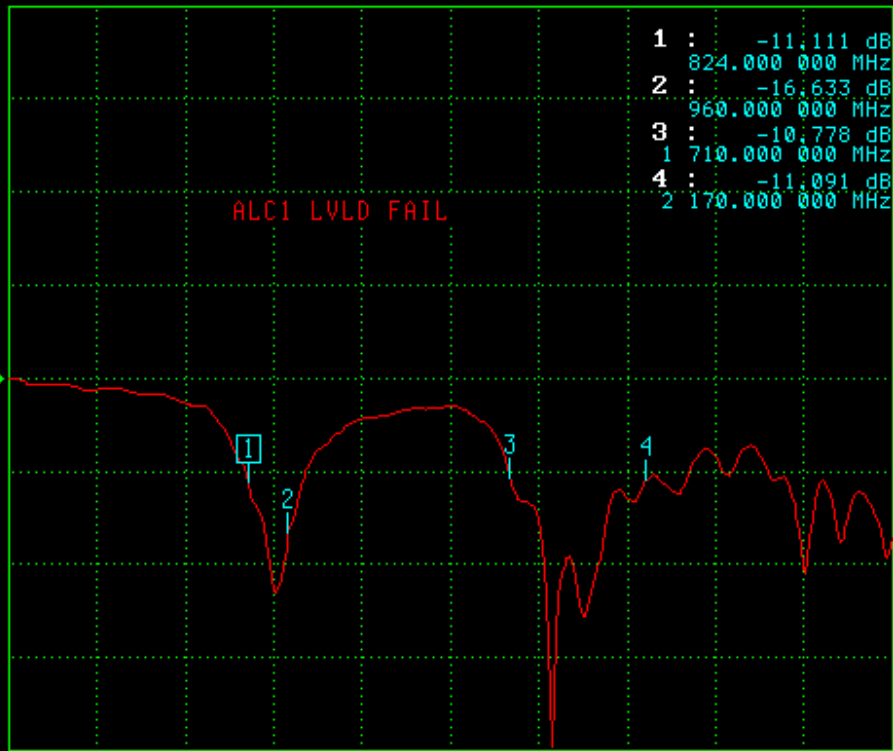
TRANSMISSION/REFLECTION

CH 1 - S11
REFERENCE PLANE
0.0000 mm

LOG MAGNITUDE

REF=0.000 dB

10.000 dB/DIV



- 1 : -11.111 dB
824.000 000 MHz
- 2 : -16.633 dB
960.000 000 MHz
- 3 : -10.778 dB
1 710.000 000 MHz
- 4 : -11.091 dB
2 170.000 000 MHz

- 1: 824.000000 MHz
-11.111 dB
- 2: 960.000000 MHz
-16.633 dB
- 3: 1.710000000 GHz
-10.778 dB
- 4: 2.170000000 GHz
-11.091 dB

MARKER TO PEAK

MORE

S11 FORWARD REFLECTION

TRANSMISSION/REFLECTION

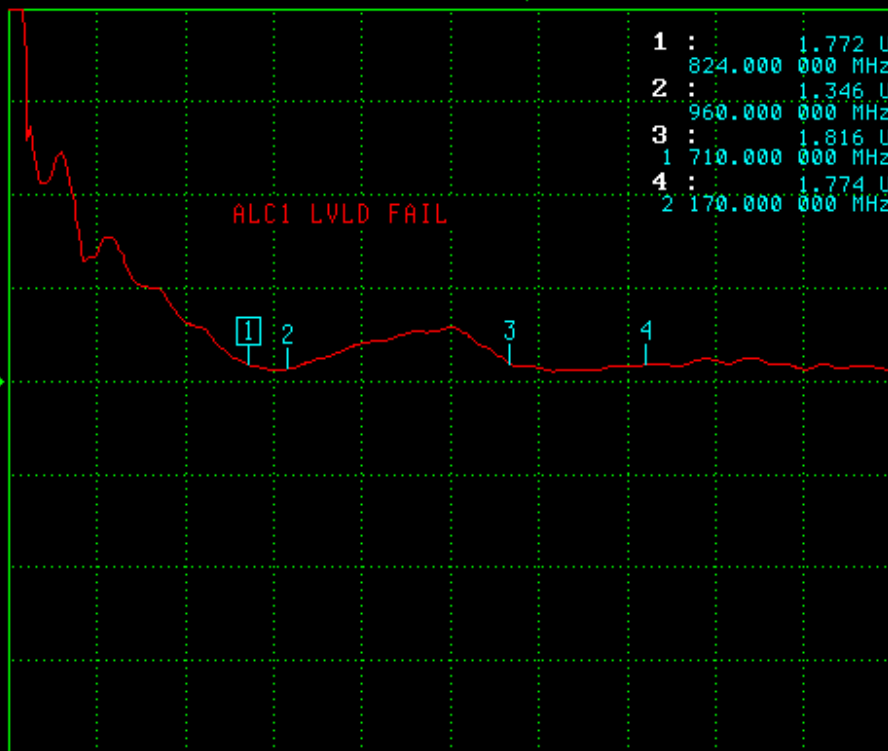
CH 1 - S11
REFERENCE PLANE
0.0000 mm

CHN1

SWR

REF=0.000 pU

10.000 U/DIV



1	:	1.772 U
	:	824.000 000 MHz
2	:	1.346 U
	:	960.000 000 MHz
3	:	1.816 U
	:	1 710.000 000 MHz
4	:	1.774 U
	:	2 170.000 000 MHz

1: 824.000000 MHz
1.772 U

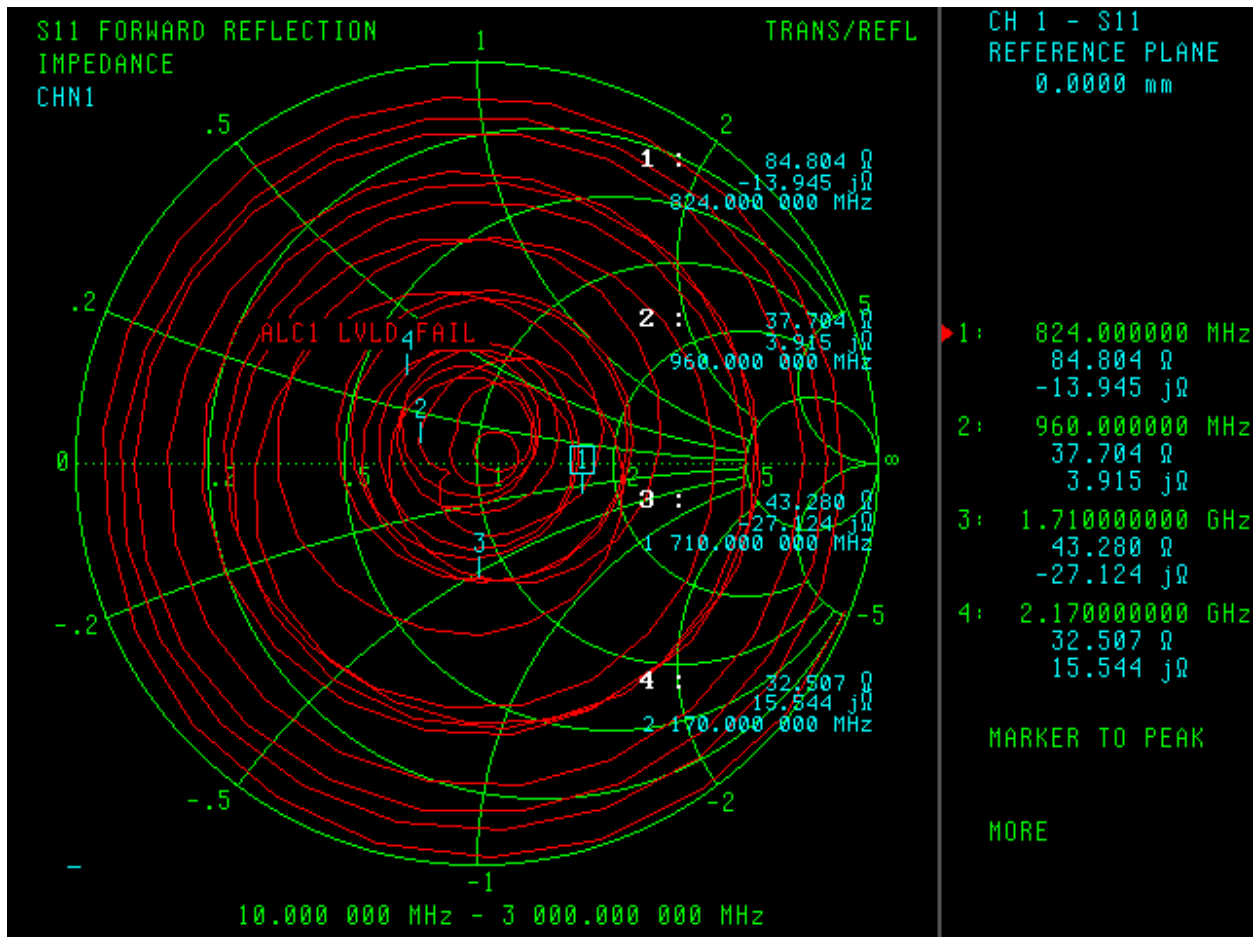
2: 960.000000 MHz
1.346 U

3: 1.710000000 GHz
1.816 U

4: 2.170000000 GHz
1.774 U

MARKER TO PEAK

MORE



Test Date		2009/4/27																																																
Track Name		ECS																																																
App. No.		GROSS/CS																																																
Model Name		Antenna																																																
Test Mode		Free Space																																																
Elec. Block & Station Position																																																		
Communication System																																																		
Frequency	824	830	835	836	840	845	860	865	869	870	875	880	885	890	900	910	920	925	940	960	1710	1750	1785	1805	1820	1850	1880	1910	1920	1930	1950	1960	1980	1990	2010	2018	2025	2110	2140	2170										
TC03 Note																																																		
Ant. Port Input Power (dBm)	0	0	0	0	0	0	0	0	0	0	0	0	0	0	0	0	0	0	0	0	0	0	0	0	0	0	0	0	0	0	0	0	0	0	0	0	0	0	0											
Peak ERP (dBm)	-13.9244	-13.7091	-4.1055	-4.0772	-4.3716	-4.8595	-5.4595	-5.6098	-5.7611	-5.745	-5.5107	-5.1824	-5.5699	-5.0877	-4.8328	-4.1073	-3.9891	-3.8573	-3.478	-2.8399	-5.8396	-4.2011	-3.4577	-3.10	-2.6297	-2.582	-2.141	-1.897	-1.8497	-2.0216	-2.1692	-2.0091	-1.8950	-1.5147	-2.2201	-2.3424	-2.4669	-2.761	-2.523	-2.8659										
Max ERP (dBm)	-1.7634	-1.7278	-1.4703	-1.554	-1.3443	-0.935	-0.1904	-0.069	-0.2049	-0.3148	-0.5315	-0.6598	-0.5746	-0.226	-0.1601	-0.1778	-0.3681	-0.345	0.6506	-1.964	-1.9306	-0.752	-0.2147	0.2313	0.7976	0.8448	1.5238	1.9256	2.1105	2.1640	2.2985	2.6738	2.9294	2.7728	2.4975	2.4038	2.2148	1.4823	1.8919	1.1988										
Efficiency (dB)	5.0647	5.4295	5.5759	5.6311	5.7161	5.791	5.668	5.5516	5.4515	5.4002	5.2841	5.1283	4.9952	4.7943	4.8727	4.3651	4.266	4.2023	4.1299	4.0363	3.9047	3.4941	3.2431	3.2413	3.1483	3.4268	3.6649	3.8225	4.0592	4.1864	4.4667	4.8835	4.795	4.6875	4.7176	4.7461	4.6797	4.2455	4.11	4.0626										
Efficiency (m)	3.2244	3.7108	4.1105	4.0722	4.3716	4.8595	5.4595	5.6098	5.7611	5.745	5.5107	5.1824	5.5699	5.0877	4.8328	4.1073	3.9891	3.8573	3.478	2.8399	5.8396	4.2011	3.4577	3.10	2.6297	2.582	2.141	1.897	1.8497	2.0216	2.1692	2.0091	1.8950	1.5147	2.2201	2.3424	2.4669	2.761	2.523	2.8659										
Efficiency (n)	46.842	42.65	38.355	38.111	36.544	32.683	28.454	27.482	26.338	26.838	26.208	26.392	27.734	30.964	32.866	38.141	40.787	41.141	44.895	52.001	49.03	38.007	45.105	60.003	54.693	55.183	61.08	64.811	63.846	62.783	60.699	62.984	65.079	64.347	59.978	58.313	55.89	52.83	55.88	61.715										
Gain (dB)	1.7604	1.7278	1.4703	1.554	1.3443	0.9350	-0.1904	-0.069	-0.2049	-0.3148	-0.5315	-0.6598	-0.5746	-0.226	-0.1601	-0.1778	-0.3681	-0.345	0.6506	-1.964	-1.9306	-0.752	-0.2147	0.2313	0.7976	0.8448	1.5238	1.9256	2.1105	2.1640	2.2985	2.6738	2.9294	2.7728	2.4975	2.4038	2.2148	1.4823	1.8919	1.1988										
Gain (m)	14.2124	14.5988	14.9853	14.5841	15.2981	15.6795	15.2511	15.3968	14.8421	14.6242	14.5863	14.6295	14.6346	14.8451	14.9532	14.945	14.6988	14.9157	14.2058	13.5071	17.0985	15.9516	15.1212	14.6103	14.0802	13.9893	13.4007	13.6984	13.226	13.1751	13.2911	13.1067	13.2932	13.9778	13.7271	13.3983	13.2664	13.7547	13.5448	13.8962										
Gain (n)	5.4651	-5.9729	-6.2883	-6.2642	-6.5597	-7.0891	-7.7019	-7.8711	-8.032	-8.019	-8.0847	-8.0638	-7.8536	-7.364	-7.119	-6.4543	-6.1768	-6.1038	-5.7256	-5.5018	-5.2368	-4.7507	-4.7687	-4.2881	-3.7391	-3.5258	-3.4948	-4.6656	-4.678	-4.7100	-4.7664	-4.5615	-4.3215	-4.3362	-4.5887	-4.7108	-4.8329	-4.9951	-4.81	-5.1454										
Gain (dBm)	65.6161	65.9522	7.3063	7.3808	7.7003	8.2722	8.9681	9.1814	9.3355	9.3274	9.4009	9.3921	9.1923	8.7001	8.4715	8.0663	7.5178	7.4469	7.6561	-8.1	-10.183	-15.5491	-13.8891	-14.7038	-16.9566	-16.9312	-16.2108	-15.9703	-15.9851	-16.0216	-15.8348	-15.5449	-15.5483	-15.794	-15.9988	-16.1663	-16.1125	-15.9231	-15.2525											
Upper Hem. PRP (dBm)	-5.1933	-5.5821	-5.9386	-5.9083	-6.1953	-6.6718	-7.2927	-7.6389	-7.628	-7.7368	-7.7484	-7.7487	-7.9697	-8.848	-8.2625	-8.5626	-8.5692	-5.5464	-4.9078	-4.7459	-4.7459	-4.7459	-4.7459	-4.7459	-4.7459	-4.7459	-4.7459	-4.7459	-4.7459	-4.7459	-4.7459	-4.7459	-4.7459	-4.7459	-4.7459	-4.7459	-4.7459	-4.7459	-4.7459	-4.7459	-4.7459									
Lower Hem. PRP (dBm)	-7.7728	-8.2778	-8.739	-8.7122	-9.0206	-9.5178	-10.081	-10.202	-10.308	-10.292	-10.29	-10.178	-9.9261	-9.4006	-9.136	-8.3998	-8.0683	-8.0298	-7.6297	-7.6552	-8.3834	-8.651	-8.8785	-8.4202	-7.9984	-7.9493	-8.0205	-4.2681	-4.2927	-4.3300	-4.4184	-4.2243	-4.0484	-4.1283	-4.4649	-4.6034	-4.7636	-5.3058	-5.181	-5.5735										
UPPER/F TRP Ratio (dB)	-0.5291	-0.5861	-0.9398	-0.9769	-1.0269	-1.0569	-1.0529	-1.0529	-1.0529	-1.0529	-1.0529	-1.0529	-1.0529	-1.0529	-1.0529	-1.0529	-1.0529	-1.0529	-1.0529	-1.0529	-1.0529	-1.0529	-1.0529	-1.0529	-1.0529	-1.0529	-1.0529	-1.0529	-1.0529	-1.0529	-1.0529	-1.0529	-1.0529	-1.0529	-1.0529	-1.0529	-1.0529	-1.0529	-1.0529	-1.0529	-1.0529	-1.0529								
LOWER/F TRP Ratio (dB)	-80.761	-81.92	-81.663	-81.716	-82.094	-82.725	-83.310	-83.463	-83.545	-83.577	-83.759	-83.825	-83.85	-83.988	-83.948	-83.989	-83.934	-83.977	-84.182	-84.162	-84.944	-84.924	-84.924	-84.924	-84.924	-84.924	-84.924	-84.924	-84.924	-84.924	-84.924	-84.924	-84.924	-84.924	-84.924	-84.924	-84.924	-84.924	-84.924	-84.924	-84.924	-84.924	-84.924	-84.924	-84.924					
UPPER/BW Ratio (dB)	-1.8607	-1.8721	-1.8628	-1.8811	-1.8718	-1.8107	-1.7248	-1.7014	-1.7107	-1.7274	-1.7669	-1.7798	-1.7838	-1.7818	-1.7788	-1.7736	-1.7718	-1.7708	-1.7708	-1.7708	-1.7708	-1.7708	-1.7708	-1.7708	-1.7708	-1.7708	-1.7708	-1.7708	-1.7708	-1.7708	-1.7708	-1.7708	-1.7708	-1.7708	-1.7708	-1.7708	-1.7708	-1.7708	-1.7708	-1.7708	-1.7708	-1.7708	-1.7708	-1.7708	-1.7708	-1.7708				
LOWER/BW Ratio (dB)	-60.524	-60.544	-60.495	-60.435	-60.424	-60.06	-59.685	-59.409	-59.293	-59.258	-59.306	-59.175	-59.105	-59.201	-59.011	-59.172	-59.244	-59.3	-59.6	-60.65	-60.695	-60.455	-60.677	-60.711	-60.711	-60.711	-60.711	-60.711	-60.711	-60.711	-60.711	-60.711	-60.711	-60.711	-60.711	-60.711	-60.711	-60.711	-60.711	-60.711	-60.711	-60.711	-60.711	-60.711	-60.711	-60.711				
UPPER/F TRP Ratio (dB)	-3.2317	-3.2515	-3.2927	-3.3036	-3.2989	-3.1773	-3.5095	-3.4778	-3.5742	-3.5624	-3.5852	-3.6078	-3.6229	-3.6271	-3.6388	-3.6191	-3.6199	-3.6117	-3.572	-3.4601	-3.4749	-3.4861	-3.4316	-3.4667	-3.475	-3.4992	-3.4909	-4.0734	-4.0364	-3.991	-3.8782	-3.8251	-3.6689	-3.6335	-3.5739	-3.5965	-3.5513	-3.3495	-3.4725	-3.3898										
LOWER/F TRP Ratio (dB)	-67.515	-67.291	-68.052	-66.754	-66.463	-65.521	-64.571	-64.138	-63.912	-63.828	-63.8	-63.973	-63.926	-63.834	-63.762	-63.461	-63.422	-63.534	-63.934	-65.081	-66.746	-66.746	-66.044	-65.704	-65.618	-65.618	-65.618	-65.618	-65.618	-65.618	-65.618	-65.618	-65.618	-65.618	-65.618	-65.618	-65.618	-65.618	-65.618	-65.618	-65.618	-65.618	-65.618	-65.618	-65.618	-65.618				
UPPER/BW Ratio (dB)	-1.9095	-1.9013	-1.833	-1.8312	-1.8234	-1.8164	-1.8337	-1.8532	-1.8774	-1.883	-1.8231	-1.8631	-1.8232	-2.0024	-2.015	-2.0753	-2.0646	-2.0480	-2.0684	-2.0879	-3.6272	-3.6437	-3.6292	-3.7099	-3.751	-3.7653	-3.7729	-3.7863	-3.8465	-3.8467	-3.8522	-3.8683	-4.0319	-3.9899	-3.9402	-3.9163	-3.8618	-3.5345	-3.3912	-3.3315										
LOWER/BW Ratio (dB)	-64.424	-65.143	-65.569	-65.597	-65.714	-65.821	-65.501	-65.263	-64.602	-64.618	-64.222	-63.634	-63.326	-62.96	-62.873	-62.012	-61.873	-61.731	-62.11	-62.117	-64.366	-64.214	-62.727	-62.901	-62.18	-62.021	-61.948	-61.919	-61.921	-61.921	-60.437	-59.945	-59.819	-59.805	-60.363	-60.585	-60.586	-60.586	-60.586	-60.586	-60.586	-60.586	-60.586	-60.586	-60.586	-60.586	-60.586			
UPPER/F TRP Ratio (dB)	-4.4684	-4.5171	-4.6204	-4.6341	-4.6468	-4.6661	-4.6934	-4.6961	-4.6939	-4.6931	-4.6663	-4.6131	-4.5013	-4.4051	-4.1881	-4.116	-4.2147	-4.2153	-4.2492	-4.2410	-4.3718	-4.3673	-4.3673	-4.3673	-4.3673	-4.3673	-4.3673	-4.3673	-4.3673	-4.3673	-4.3673	-4.3673	-4.3673	-4.3673	-4.3673	-4.3673	-4.3673	-4.3673	-4.3673	-4.3673	-4.3673	-4.3673	-4.3673	-4.3673	-4.3673	-4.3673	-4.3673			
LOWER/F TRP Ratio (dB)	-35.576	-34.857	-34.431	-34.403	-34.298	-34.173	-34.441	-34.735	-35.088	-35.182	-35.779	-36.366	-36.875	-37.004	-37.120	-37.988	-38.121	-38.269	-37.89	-37.883	-55.814	-56.788	-57.264	-57.41	-57.84	-57.979	-58.051	-58.181	-58.749	-58.759	-59.563	-60.055	-60.481	-60.997	-60.637	-59.419	-58.902	-58.685	-54.180	-53.565										
UPPER/BW Ratio (dB)	-8.972	-8.9955	-8.171	-8.1199	-8.1356	-8.2469	-8.5952	-8.5698	-8.2172	-8.0242	-8.3215	-8.0818	-8.0314	-8.2222	-8.036	-7.734	-8.0539	-8.0566	-8.0111	-8.1178	-10.658	-10.688	-10.733	-10.733	-10.733	-10.733	-10.733	-10.733	-10.733	-10.733	-10.733	-10.733	-10.733	-10.733	-10.733	-10.733	-10.733	-10.733	-10.733	-10.733	-10.733	-10.733	-10.733	-10.733	-10.733	-10.733	-10.733	-10.733		
LOWER/BW Ratio (dB)	88	88	88	88	88	88	88	88	88	88	88	88	88	88	88	88	88	88	88	88	88	88	88	88	88	88	88	88	88	88	88	88	88	88	88	88	88	88	88	88	88	88	88	88	88	88	88	88	88	88
F1 BW (°)	46	44	44	44	44	44	44	44	44	44	44	44	44	44	44	44	44	44	44	44	44	44	44	44	44	44	44	44	44	44	44	44	44	44	44	44	44	44	44	44	44	44	44	44	44	44	44	44	44	
F2 BW (°)	91	85	80	78	73	62	53	52	50	49	49																																							