



FCC 47 CFR PART 15 SUBPART C

RF Test Report

Applicant : ELITEGROUP COMPUTER SYSTEMS CO., LTD
Product Type : Smart Watch
Trade Name : ECS ELITEGROUP
Model Number : WA068CR
Test Specification : FCC 47 CFR PART 15 SUBPART C
ANSI C63.10:2013
Receive Date : Jan. 13, 2017
Test Period : Jan. 18, ~ Jan. 23, 2017
Issue Date : Jan. 26, 2017

Issue by

A Test Lab Techno Corp.
No. 140-1, Changan Street, Bade District,
Taoyuan City 33465, Taiwan (R.O.C)
Tel : +886-3-2710188 / Fax : +886-3-2710190



Taiwan Accreditation Foundation accreditation number: 1330

Note: This report shall not be reproduced except in full, without the written approval of A Test Lab Techno Corp. This document may be altered or revised by A Test Lab Techno Corp. personnel only, and shall be noted in the revision section of the document. The client should not use it to claim product endorsement by TAF, or any government agencies. The test results in the report only apply to the tested sample.



Revision History

| Rev. | Issue Date | Revisions | Revised By |
|------|---------------|---------------|------------|
| 00 | Jan. 26, 2017 | Initial Issue | Joyce Liao |
| | | | |
| | | | |
| | | | |

Verification of Compliance

Issued Date: Jan. 26, 2017

Applicant : ELITEGROUP COMPUTER SYSTEMS CO., LTD
Product Type : Smart Watch
Trade Name : ECS ELITEGROUP
Model Number : WA068CR
FCC ID : WL6-WA0NR22CR1
EUT Rated Voltage : DC 5V, 0.5A
Test Voltage : 120 Vac / 60 Hz, DC 3.8V
Applicable Standard : FCC 47 CFR PART 15 SUBPART C
ANSI C63.10:2013
Test Result : Complied
Performing Lab. : A Test Lab Techno Corp.
No. 140-1, Changan Street, Bade District,
Taoyuan City 33465, Taiwan (R.O.C)
Tel : +886-3-2710188 / Fax : +886-3-2710190
Taiwan Accreditation Foundation accreditation number: 1330
<http://www.atl-lab.com.tw/e-index.htm>



A Test Lab Techno Corp. tested the above equipment in accordance with the requirements set forth in the above standards. All indications of Pass/Fail in this report are opinions expressed by A Test Lab Techno Corp. based on interpretations and/or observations of test results. Measurement Uncertainties were not taken into account and are published for informational purposes only. The test results show that the equipment tested is capable of demonstrating compliance with the requirements as documented in this report.

Approved By : Fly Lu Reviewed By : Eric Ou Yang
(Manager) (Fly Lu) (Testing Engineer) (Eric Ou Yang)



TABLE OF CONTENTS

| | | |
|-----------|--|-----------|
| 1 | General Information | 5 |
| 2 | EUT Description | 6 |
| 3 | Test Methodology | 7 |
| | 3.1. Mode of Operation..... | 7 |
| | 3.2. EUT Exercise Software..... | 7 |
| | 3.3. Configuration of Test System Details | 8 |
| | 3.4. Test Site Environment..... | 8 |
| 4 | AC Power Line Conducted Emission Measurement..... | 9 |
| 5 | Radiated Emission Measurement | 13 |
| 6 | Maximum Conducted Output Power Measurement | 29 |
| 7 | 6dB RF Bandwidth Measurement..... | 30 |
| 8 | Maximum Power Density Measurement | 33 |
| 9 | Out of Band Conducted Emissions Measurement..... | 36 |
| 10 | Antenna Measurement..... | 40 |



1 General Information

1.1 Summary of Test Result

| Standard | Item | Result | Remark |
|--------------|---|--------|--------|
| 15.207 | AC Power Conducted Emission | PASS | ----- |
| 15.247(d) | Transmitter Radiated Emissions | PASS | ----- |
| 15.247(b)(3) | Max. Output Power | PASS | ----- |
| 15.247(a)(2) | 6dB RF Bandwidth | PASS | ----- |
| 15.247(e) | Power Spectral Density | PASS | ----- |
| 15.247(d) | Out of Band Conducted Spurious Emission | PASS | ----- |
| 15.203 | Antenna Requirement | PASS | ----- |

The test results of this report relate only to the tested sample(s) identified in this report. Manufacturer or whom it may concern should recognize the pass or fail of the test result.

1.2 Measurement Uncertainty

| Test Item | Frequency Range | Uncertainty (dB) |
|------------------------|---------------------|------------------|
| Conducted Emission | 9kHz ~ 150KHz | 2.7 |
| | 150kHz ~ 30MHz | 2.7 |
| Radiated Emission | 9kHz ~ 30MHz | 1.7 |
| | 30MHz ~ 1000MHz | 5.7 |
| | 1000MHz ~ 18000MHz | 5.5 |
| | 18000MHz ~ 26500MHz | 4.8 |
| | 26500MHz ~ 40000MHz | 4.8 |
| Conducted Output Power | +0.27 dB / -0.28 dB | |
| RF Bandwidth | 4.96% | |
| Power Spectral Density | +0.71 dB / -0.77 dB | |



2 EUT Description

| | | |
|---------------------|---|-----------------|
| Applicant | ELITEGROUP COMPUTER SYSTEMS CO., LTD No.239, Sec. 2, Ti Ding Blvd., Taipei, Taiwan | |
| Manufacturer | Golden Elite Technology (SHENZHEN) Co., Ltd. No.1 , Nan-Huan Rd., ShaJing, BaoAn, Shen zhen, China | |
| Product Type | Smart Watch | |
| Trade Name | ECS ELITEGROUP | |
| Model No. | WA068CR | |
| FCC ID | WL6-WA0NR22CR1 | |
| Frequency Range | Bluetooth LE: 2402 ~ 2480 MHz | |
| Modulation Type | GFSK | |
| Antenna information | Type | Max. Gain (dBi) |
| | PIFA Antenna | 0.57 |
| RF Output Power | 0.00050 W | |



3 Test Methodology

3.1. Mode of Operation

Decision of Test ATL has verified the construction and function in typical operation. All the test modes were carried out with the EUT in normal operation, which was shown in this test report and defined as:

| Test Mode |
|---------------------------|
| Mode 1: Bluetooth TX Mode |

Software used to control the EUT for staying in continuous transmitting mode was programmed.

After verification, all tests were carried out with the worst case test modes as shown below except radiated spurious emission below 1GHz and power line conducted emissions below 30MHz, which worst case was in TX mode only.

By preliminary testing and verifying three axis (X, Y and Z) position of EUT transmitted status, it was found that "X axis" position was the worst, then the final test was executed the worst condition and test data were recorded in this report.

Note: The EUT was programmed to be in continuously transmitting mode and the transmit duty cycle is not less than 98%.

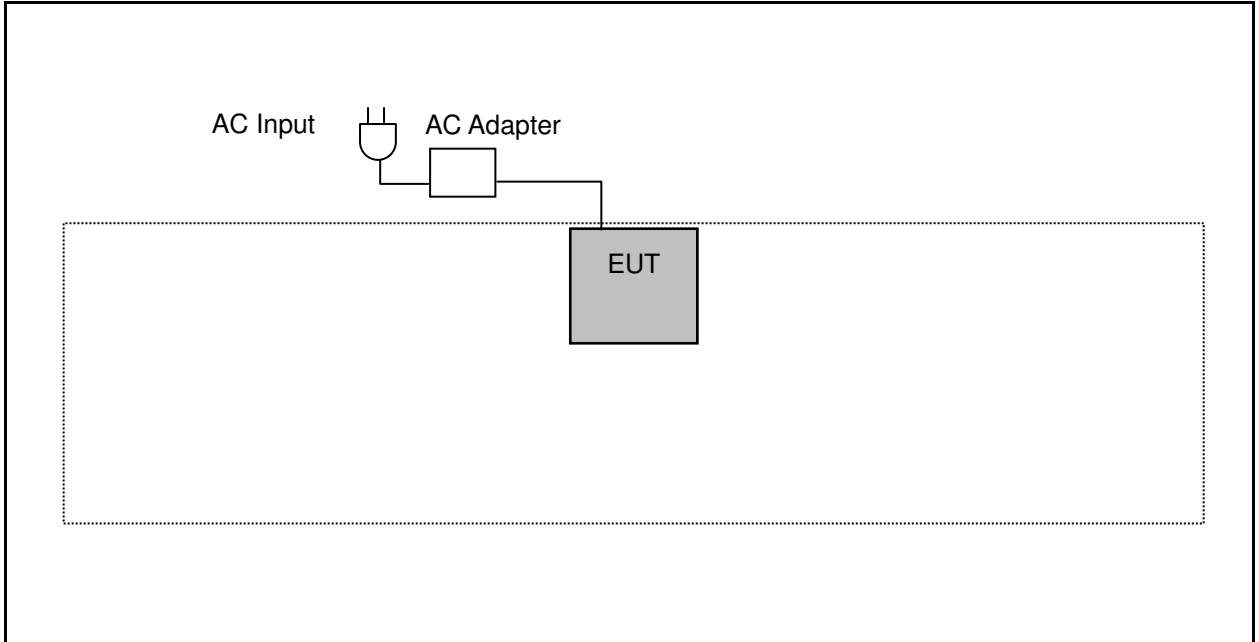
3.2. EUT Exercise Software

| | |
|---|-------------------------------------|
| 1 | Setup the EUT shown on 3.3. |
| 2 | Turn on the power of all equipment. |
| 3 | EUT run test program. |

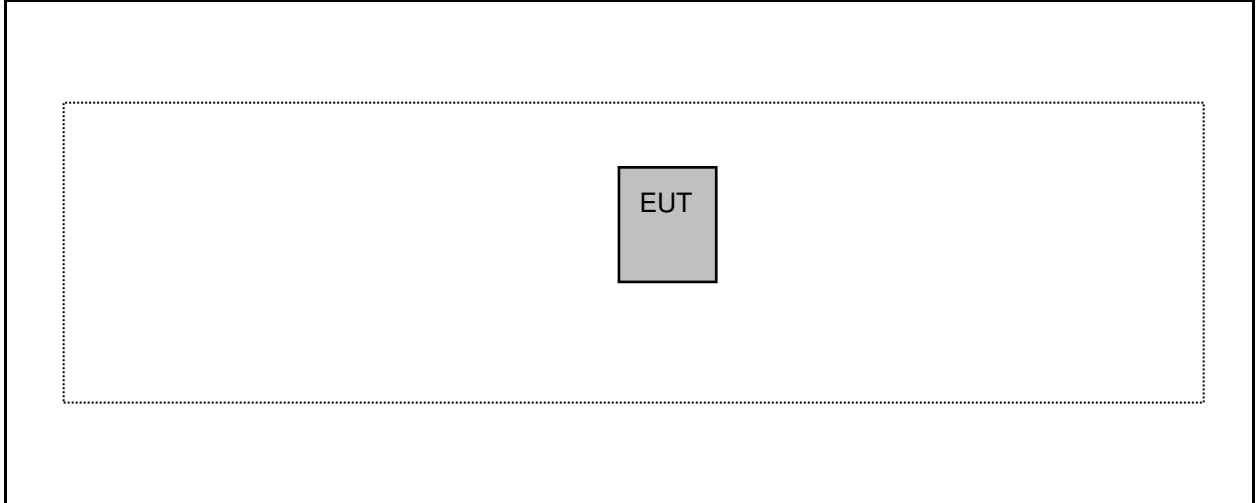
| Measurement Software | |
|----------------------|--------------------------|
| 1 | EZ-EMC Ver. ATL-03A1-1 |
| 2 | EZ-EMC Ver ATL-ITC-3A1-1 |

3.3. Configuration of Test System Details

AC Power Conducted Emission



Radiated Emissions



3.4. Test Site Environment

| Items | Required (IEC 60068-1) | Actual |
|----------------------------|------------------------|--------|
| Temperature (°C) | 15-35 | 26 |
| Humidity (%RH) | 25-75 | 60 |
| Barometric pressure (mbar) | 860-1060 | 950 |

4 AC Power Line Conducted Emission Measurement

■ Limit

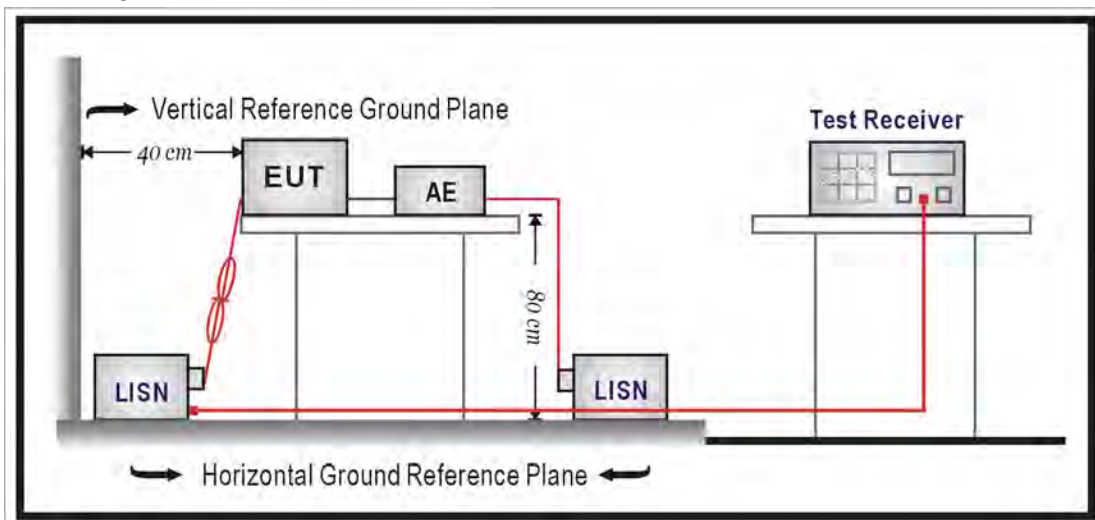
| Frequency (MHz) | Quasi-peak | Average |
|-----------------|------------|----------|
| 0.15 - 0.5 | 66 to 56 | 56 to 46 |
| 0.50 - 5.0 | 56 | 46 |
| 5.0 - 30.0 | 60 | 50 |

■ Test Instruments

| Describe | Manufacturer | Model Number | Serial Number | Cal. Date | Remark |
|---------------|--------------|----------------|---------------|------------|--------|
| Test Receiver | R&S | ESCI | 100367 | 05/13/2016 | 1 year |
| LISN | R&S | ENV216 | 101040 | 03/15/2016 | 1 year |
| LISN | R&S | ENV216 | 101041 | 03/07/2016 | 1 year |
| RF Cable | Woken | 00100D1380194M | TE-02-02 | 05/31/2016 | 1 year |
| Test Site | ATL | TE02 | TE02 | N.C.R. | ----- |

Note: N.C.R. = No Calibration Request.

■ Test Setup



■ Test Procedure

The EUT and simulators are connected to the main power through a line impedance stabilization network (L.I.S.N.). This provides a $50\Omega // 50\mu\text{H}$ coupling impedance for the measuring equipment. The peripheral devices are also connected to the main power through a LISN that provides a $50\Omega // 50\mu\text{H}$ coupling impedance with 50ohm termination.

Tabletop device shall be placed on a non-conducting platform, of nominal size 1 m by 1.5 m, raised 80 cm above the reference ground plane. The wall of screened room shall be located 40cm to the rear of the EUT. Other surfaces of tabletop or floor standing EUT shall be at least 80cm from any other ground conducting surface including one or more LISNs. For floor-standing device shall be placed under the EUT with a 12mm insulating material.

Conducted emissions were investigated over the frequency range from 0.15 MHz to 30 MHz using a resolution bandwidth of 9 kHz. The equipment under test (EUT) shall be meet the limits in section 4.1, as applicable, including the average limit and the quasi-peak limit when using respectively, an average detector and quasi-peak detector measured in accordance with the methods described of related standard. When all of peak value were complied with quasi-peak and average limit from 150kHz to 30MHz then quasi-peak and average measurement was unnecessary.

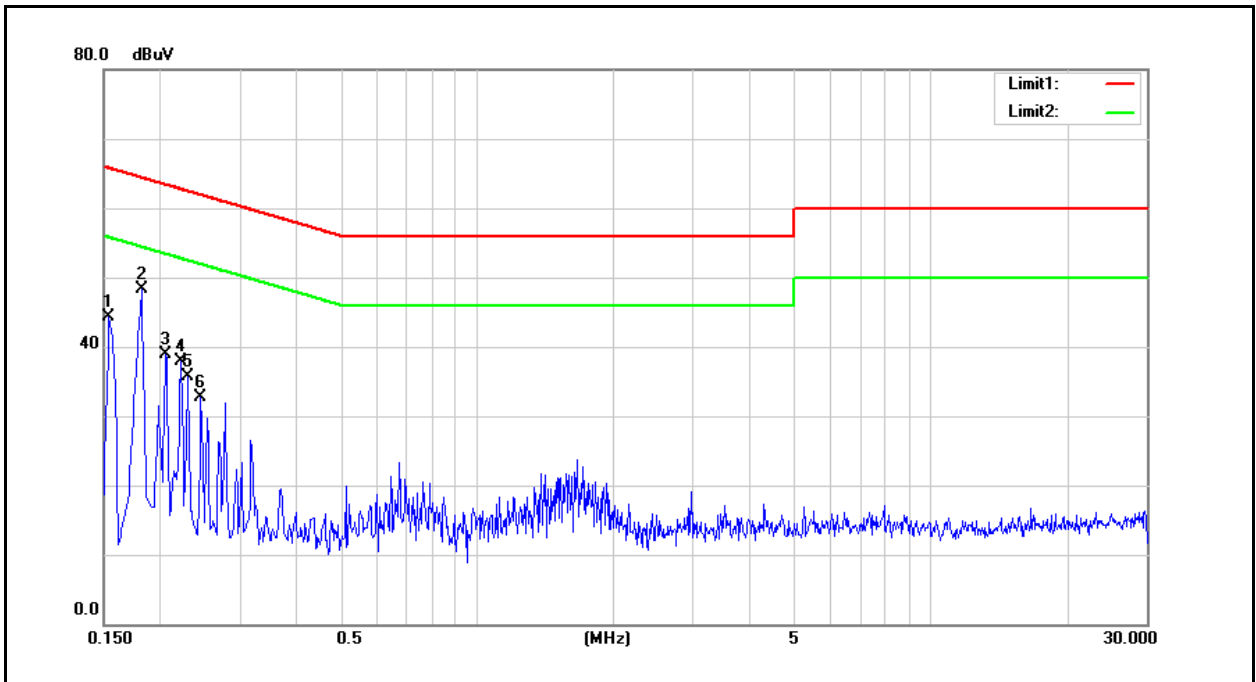
The AMN shall be placed 0,8 m from the boundary of the unit under test and bonded to a ground reference plane for AMNs mounted on top of the ground reference plane. This distance is between the closest points of the AMN and the EUT. All other units of the EUT and associated equipment shall be at least 0,8 m from the AMN. If the mains power cable is longer than 1m then the cable shall be folded back and forth at the centre of the lead to form a bundle no longer than 0.4m. All of interconnecting cables that hang closer than 40cm to the ground plane shall be folded back and forth in the center forming a bundle 30 cm to 40 cm long. All of EUT and AE shall be separate place more than 0.1m. All 50Ω ports of the LISN shall be resistively terminated into 50Ω loads when not connected to the measuring instrument.

If the reading of the measuring receiver shows fluctuations close to the limit, the reading shall be observed for at least 15 s at each measurement frequency; the higher reading shall be recorded with the exception of any brief isolated high reading which shall be ignored.



■ Test Result

| | | | |
|--------------|--------------|----------------------|--------------|
| Standard: | FCC Part 15C | Power: | AC 120V/60Hz |
| Test Mode: | Mode 1 | Temp.(°C)/Hum.(%RH): | 26(°C)/60%RH |
| Line: | L1 | Date: | 01/23/2017 |
| Description: | | | |



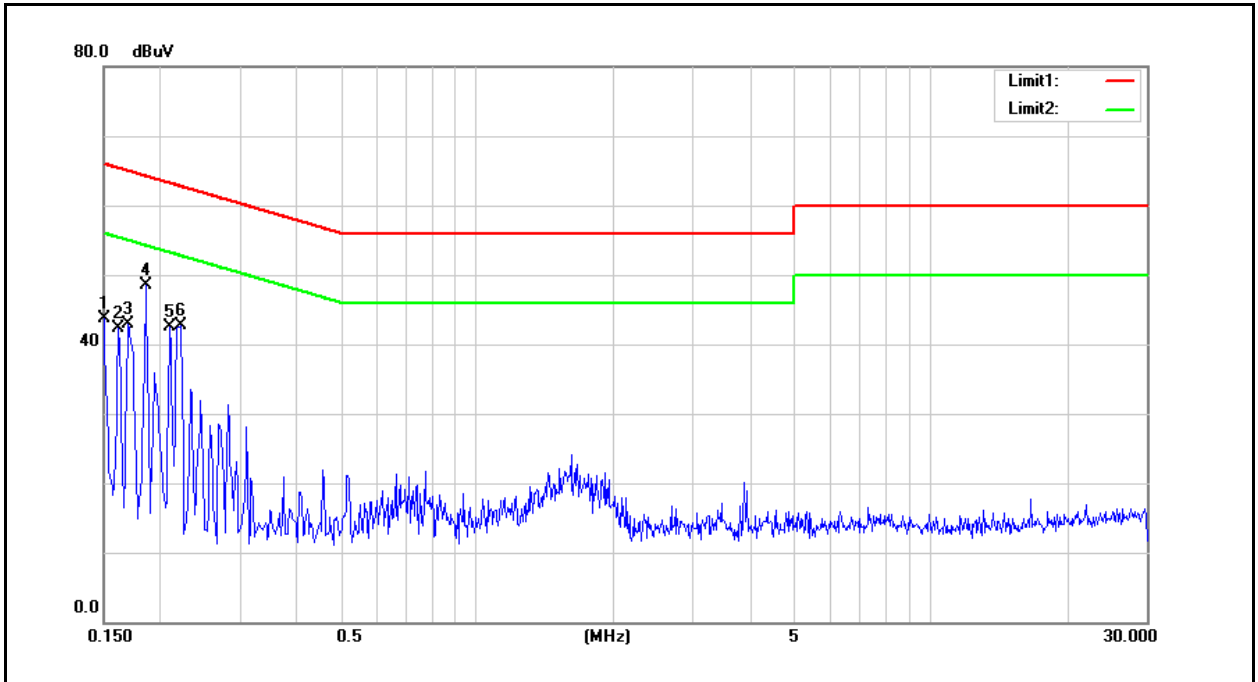
| No. | Frequency (MHz) | QP reading (dBuV) | AVG reading (dBuV) | Correction factor (dB) | QP result (dBuV) | AVG result (dBuV) | QP limit (dBuV) | AVG limit (dBuV) | QP margin (dB) | AVG margin (dB) | Remark |
|-----|-----------------|-------------------|--------------------|------------------------|------------------|-------------------|-----------------|------------------|----------------|-----------------|--------|
| 1 | 0.1540 | 36.65 | 12.13 | 9.60 | 46.25 | 21.73 | 65.78 | 55.78 | -19.53 | -34.05 | Pass |
| 2 | 0.1820 | 32.64 | 9.12 | 9.59 | 42.23 | 18.71 | 64.39 | 54.39 | -22.16 | -35.68 | Pass |
| 3 | 0.2060 | 25.42 | 2.36 | 9.59 | 35.01 | 11.95 | 63.37 | 53.37 | -28.36 | -41.42 | Pass |
| 4 | 0.2220 | 24.61 | 1.69 | 9.59 | 34.20 | 11.28 | 62.74 | 52.74 | -28.54 | -41.46 | Pass |
| 5 | 0.2300 | 20.26 | 2.46 | 9.59 | 29.85 | 12.05 | 62.45 | 52.45 | -32.60 | -40.40 | Pass |
| 6 | 0.2460 | 19.47 | 0.64 | 9.59 | 29.06 | 10.23 | 61.89 | 51.89 | -32.83 | -41.66 | Pass |

Note: 1. Result (dBuV) = Correction factor (dB) + Reading(dBuV).

2. Correction factor (dB) = Cable loss (dB) + L.I.S.N. factor (dB).



| | | | |
|--------------|--------------|----------------------|--------------|
| Standard: | FCC Part 15C | Power: | AC 120V/60Hz |
| Test Mode: | Mode 1 | Temp.(°C)/Hum.(%RH): | 26(°C)/60%RH |
| Line: | N | Date: | 01/23/2017 |
| Description: | | | |



| No. | Frequency (MHz) | QP reading (dBuV) | AVG reading (dBuV) | Correction factor (dB) | QP result (dBuV) | AVG result (dBuV) | QP limit (dBuV) | AVG limit (dBuV) | QP margin (dB) | AVG margin (dB) | Remark |
|-----|-----------------|-------------------|--------------------|------------------------|------------------|-------------------|-----------------|------------------|----------------|-----------------|--------|
| 1 | 0.1500 | 38.11 | 12.58 | 9.59 | 47.70 | 22.17 | 66.00 | 56.00 | -18.30 | -33.83 | Pass |
| 2 | 0.1620 | 33.08 | 7.14 | 9.59 | 42.67 | 16.73 | 65.36 | 55.36 | -22.69 | -38.63 | Pass |
| 3 | 0.1700 | 27.47 | 6.27 | 9.59 | 37.06 | 15.86 | 64.96 | 54.96 | -27.90 | -39.10 | Pass |
| 4 | 0.1860 | 31.26 | 8.20 | 9.58 | 40.84 | 17.78 | 64.21 | 54.21 | -23.37 | -36.43 | Pass |
| 5 | 0.2100 | 27.18 | 4.88 | 9.58 | 36.76 | 14.46 | 63.21 | 53.21 | -26.45 | -38.75 | Pass |
| 6 | 0.2220 | 25.35 | 1.74 | 9.58 | 34.93 | 11.32 | 62.74 | 52.74 | -27.81 | -41.42 | Pass |

Note: 1. Result (dBuV) = Correction factor (dB) + Reading(dBuV).
 2. Correction factor (dB) = Cable loss (dB) + L.I.S.N. factor (dB).



5 Radiated Emission Measurement

■ Limit

According to §15.209(a), except as provided elsewhere in this subpart, the emissions from an intentional radiator shall not exceed the field strength levels specified in the following table:

| Frequency (MHz) | Field Strength ($\mu\text{V}/\text{m}$ at meter) | Measurement Distance (meters) |
|-----------------|---|-------------------------------|
| 0.009 – 0.490 | 2400 / F (kHz) | 300 |
| 0.490 – 1.705 | 24000 / F (kHz) | 30 |
| 1.705 – 30.0 | 30 | 30 |
| 30 - 88 | 100** | 3 |
| 88-216 | 150** | 3 |
| 216-960 | 200** | 3 |
| Above 960 | 500 | 3 |

** Except as provided in paragraph (g), fundamental emissions from intentional radiators operating under this Section shall not be located in the frequency bands 54-72 MHz, 76-88 MHz, 174-216 MHz or 470-806 MHz. However, operation within these frequency bands is permitted under other sections of this Part, e.g., Sections 15.231 and 15.241.

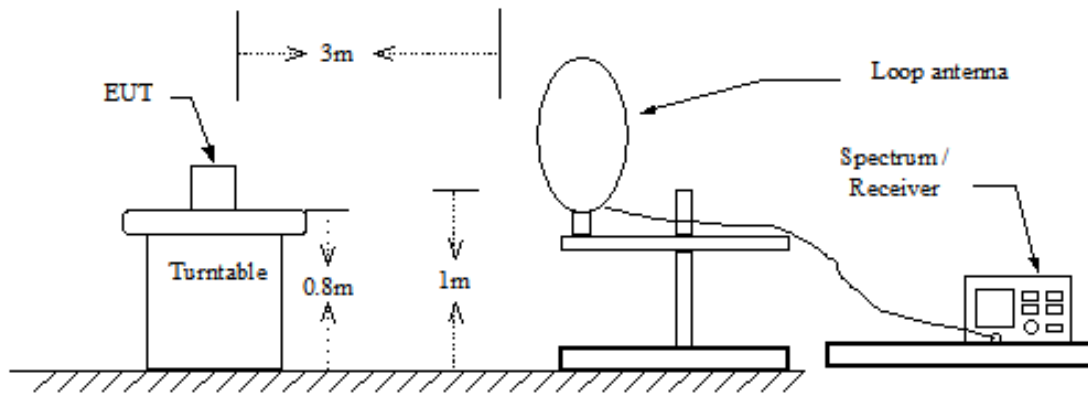
■ Test Instruments

| 3 Meter Chamber | | | | | |
|-------------------------|-----------------------------|---------------------|---------------|------------|-------------|
| Equipment | Manufacturer | Model Number | Serial Number | Cal. Date | Cal. Period |
| RF Pre-selector | Agilent | N9039A | MY46520256 | 03/22/2016 | 1 year |
| Spectrum Analyzer | Agilent | E4446A | MY46180578 | 03/22/2016 | 1 year |
| Pre Amplifier | Agilent | 8449B | 3008A02237 | 10/11/2016 | 1 year |
| Pre Amplifier | Agilent | 8447D | 2944A11119 | 01/12/2017 | 1 year |
| Broadband Antenna | Schwarzbeck | VULB9168 | 416 | 10/13/2016 | 1 year |
| Horn Antenna (1~18GHz) | SCHWARZBECK MESS-ELEKTRONIK | BBHA9120D | 9120D-550 | 06/06/2016 | 1 year |
| Horn Antenna (18~40GHz) | ETS | 3116 | 86467 | 09/05/2016 | 1 year |
| Loop Antenna | COM-POWER CORPORATION | AL-130 | 121014 | 02/01/2016 | 1 year |
| Microwave Cable | EMCI | EMC102-KM-KM-14000 | 151001 | 02/23/2016 | 1 year |
| Microwave Cable | EMCI | EMC-104-SM-SM-14000 | 140202 | 02/23/2016 | 1 year |
| Microwave Cable | EMCI | EMC104-SM-SM-600 | 140301 | 02/23/2016 | 1 year |
| Test Site | ATL | TE01 | 888001 | 08/29/2016 | 1 year |

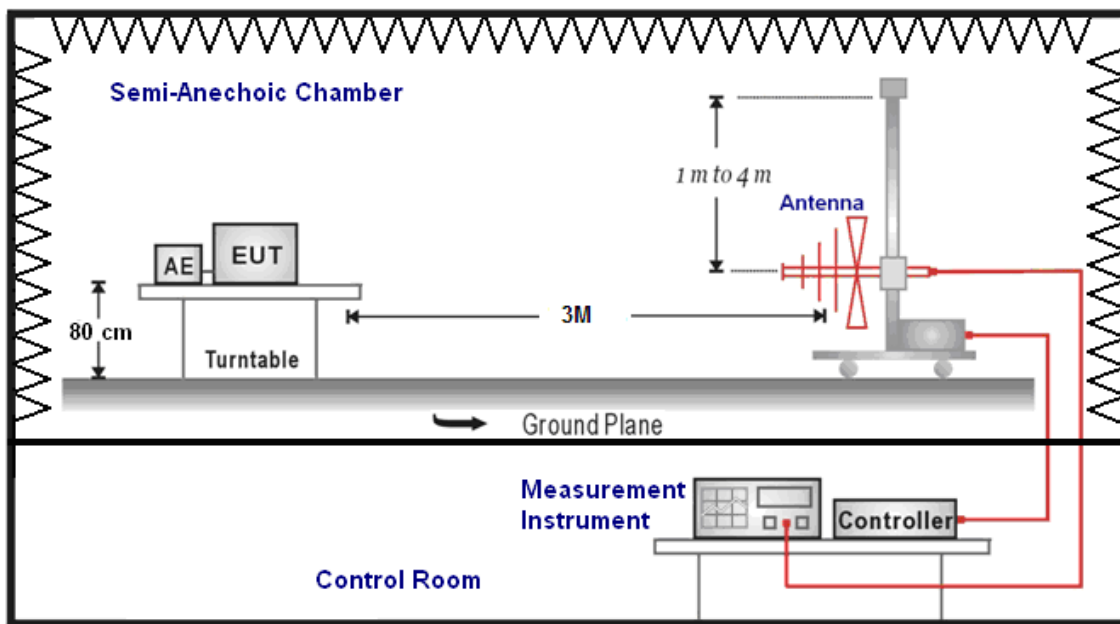
Note: N.C.R. = No Calibration Request.

■ **Setup**

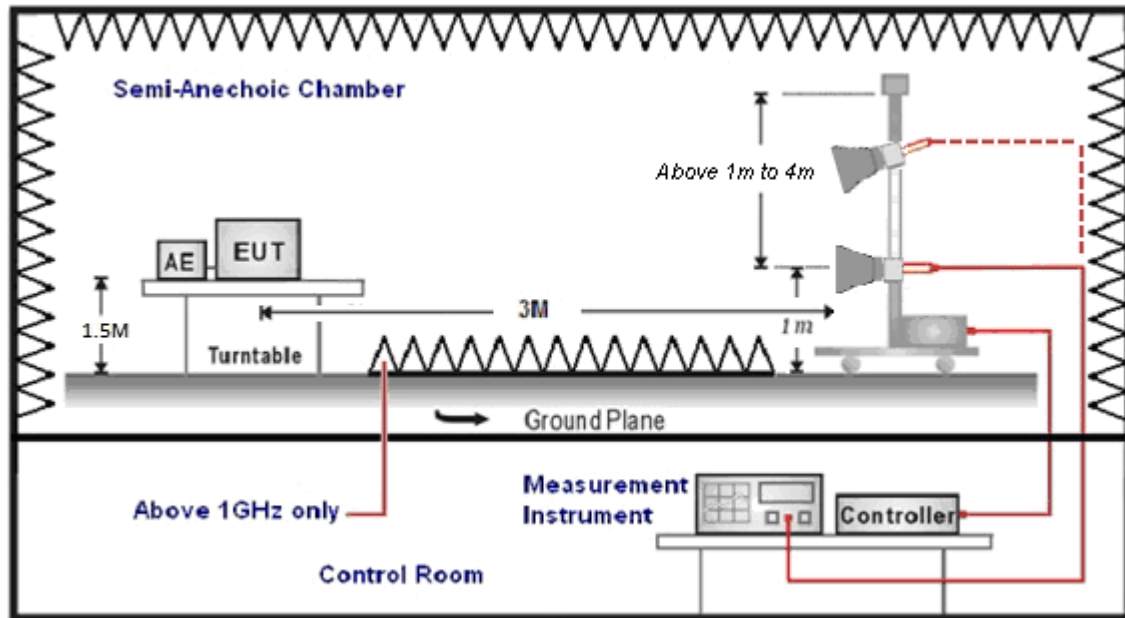
9kHz ~ 30MHz



Below 1GHz



Above 1GHz



■ Test Procedure

Final radiation measurements were made on a three-meter, Semi Anechoic Chamber. The EUT system was placed on a nonconductive turntable which is 0.8 or 1.5 meters height (below 1GHz use 0.8m turntable / above 1GHz use 1.5m turntable), top surface 1.0 x 1.5 meter. The spectrum was examined from 250 MHz to 2.5 GHz in order to cover the whole spectrum below 10th harmonic which could generate from the EUT. During the test, EUT was set to transmit continuously & Measurements spectrum range from 9 kHz to 26.5 GHz is investigated.

For measurements below 1 GHz the resolution bandwidth is set to 100 kHz for peak detection measurements or 120 kHz for quasi-peak detection measurements. Peak detection is used unless otherwise noted as quasi-peak.

For measurements above 1 GHz the resolution bandwidth is set to 1 MHz, and then the video bandwidth is set to 1 MHz for peak measurements and 10 Hz for average measurements when Duty cycle >98% / 1/T for average measurements when Duty cycle <98%. A nonconductive material surrounded the EUT to supporting the EUT for standing on three orthogonal planes. At each condition, the EUT was rotated 360 degrees, and the antenna was raised and lowered from one to four meters to find the maximum emission levels. Measurements were taken using both horizontal and vertical antenna polarization.

SCHWARZBECK MESS-ELEKTRONIK Biconilog Antenna at 3 Meter and the SCHWARZBECK Double Ridged Guide Antenna was used in frequencies 1 – 26.5 GHz at a distance of 1 meter. All test results were extrapolated to equivalent signal at 3 meters utilizing an inverse linear distance extrapolation Factor (20dB/decade).

For testing above 1GHz, the emission level of the EUT in peak mode was 20dB lower than average limit (that means the emission level in peak mode also complies with the limit in average mode), then testing will be stopped and peak values of EUT will be reported, otherwise, the emissions will be measured in average mode again and reported.

Appropriate preamplifiers were used for improving sensitivity and precautions were taken to avoid overloading or desensitizing the spectrum analyzer. No post – detector video filters were used in the test.

The spectrum analyzer's 6 dB bandwidth was set to 1 MHz, and the analyzer was operated in the peak detection mode, for frequencies both below and up 1 GHz. The average levels were obtained by subtracting the duty cycle correction factor from the peak readings.

The following procedures were used to convert the emission levels measured in decibels referenced to 1 microvolt (dBuV) into field intensity in micro volts pre meter (uV/m).

The actual field intensity in decibels referenced to 1 microvolt in to field intensity in micro volts per meter (dBuV/m).



The actual field intensity in referenced to 1 microvolt per meter (dBuV/m) is determined by algebraically adding the measured reading in dBuV, the antenna factor (dB), and cable loss (dB) and Subtracting the gain of preamplifier (dB) is auto calculate in spectrum analyzer.

(1) $\text{Amplitude (dBuV/m)} = \text{FI (dBuV)} + \text{AF (dBuV)} + \text{CL (dBuV)} - \text{Gain (dB)}$

FI= Reading of the field intensity.

AF= Antenna factor.

CL= Cable loss.

P.S Amplitude is auto calculate in spectrum analyzer.

(2) $\text{Actual Amplitude (dBuV/m)} = \text{Amplitude (dBuV)} - \text{Dis(dB)}$

The FCC specified emission limits were calculated according the EUT operating frequency and by following linear interpolation equations:

(a) For fundamental frequency : Transmitter Output < +30dBm

(b) For spurious frequency : Spurious emission limits = fundamental emission limit /10

Data of measurement within this frequency range without mark in the table above means the reading of emissions are attenuated more than 20dB below the permissible limits or the field strength is too small to be measured.



■ **Test Result**

Below 1GHz

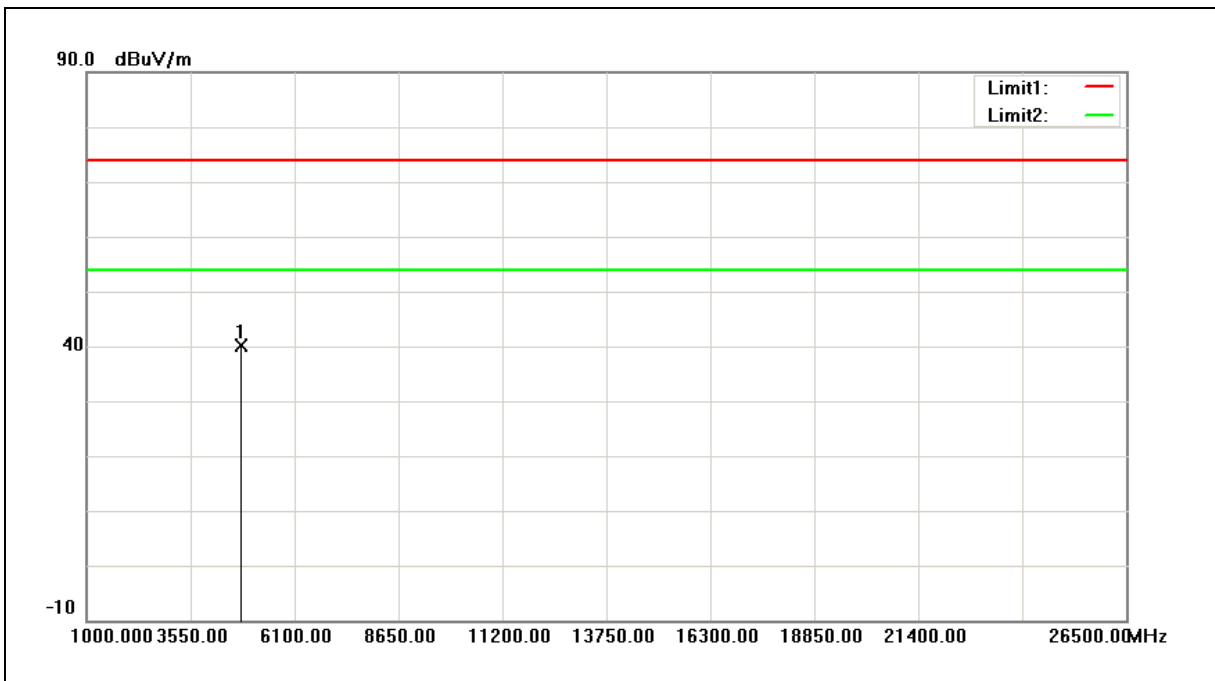
| Standard: | | FCC Part 15C | | Test Distance: | | 3m | |
|-----------------|----------------|-----------------------|-----------------|----------------------|-------------|--------------|------------------|
| Test Mode: | | Mode 1 | | Power: | | DC 3.8V | |
| | | | | Temp.(°C)/Hum.(%RH): | | 26(°C)/60%RH | |
| | | | | Date: | | 01/18/2017 | |
| Frequency (MHz) | Reading (dBuV) | Correct Factor (dB/m) | Result (dBuV/m) | Limit (dBuV/m) | Margin (dB) | Remark | Ant.Polar. H / V |
| 136.0000 | 23.91 | -6.17 | 17.74 | 43.50 | -25.76 | QP | H |
| 292.0000 | 22.96 | -3.65 | 19.31 | 46.00 | -26.69 | QP | H |
| 431.0000 | 24.32 | -0.76 | 23.56 | 46.00 | -22.44 | QP | H |
| 549.5000 | 23.79 | 1.45 | 25.24 | 46.00 | -20.76 | QP | H |
| 689.0000 | 23.67 | 4.49 | 28.16 | 46.00 | -17.84 | QP | H |
| 848.5000 | 23.31 | 7.53 | 30.84 | 46.00 | -15.16 | QP | H |
| 161.5000 | 24.21 | -5.15 | 19.06 | 43.50 | -24.44 | QP | V |
| 284.5000 | 23.09 | -3.82 | 19.27 | 46.00 | -26.73 | QP | V |
| 435.0000 | 22.81 | -0.63 | 22.18 | 46.00 | -23.82 | QP | V |
| 557.0000 | 23.39 | 1.66 | 25.05 | 46.00 | -20.95 | QP | V |
| 742.5000 | 23.21 | 5.81 | 29.02 | 46.00 | -16.98 | QP | V |
| 846.5000 | 25.01 | 7.50 | 32.51 | 46.00 | -13.49 | QP | V |

- Note: 1. Result (dBuV) = Correction factor (dB) + Reading(dBuV).
 2. Correction factor (dB/m) = Antenna Factor (dB/m) + Cable loss (dB) – Pre-Amplifier gain (dB).
 3. No emission found between lowest internal used/generated frequencies to 30MHz (9 kHz~30MHz).



Above 1GHz

| | | | |
|-------------|-----------------|----------------------|--------------|
| Standard: | FCC Part 15.247 | Test Distance: | 3m |
| Test item: | Harmonic | Power: | DC 3.8V |
| Frequency: | 2402MHz | Temp.(°C)/Hum.(%RH): | 26(°C)/60%RH |
| Mode: | Mode 1 | Date: | 01/17/2017 |
| Ant.Polar.: | Horizontal | | |

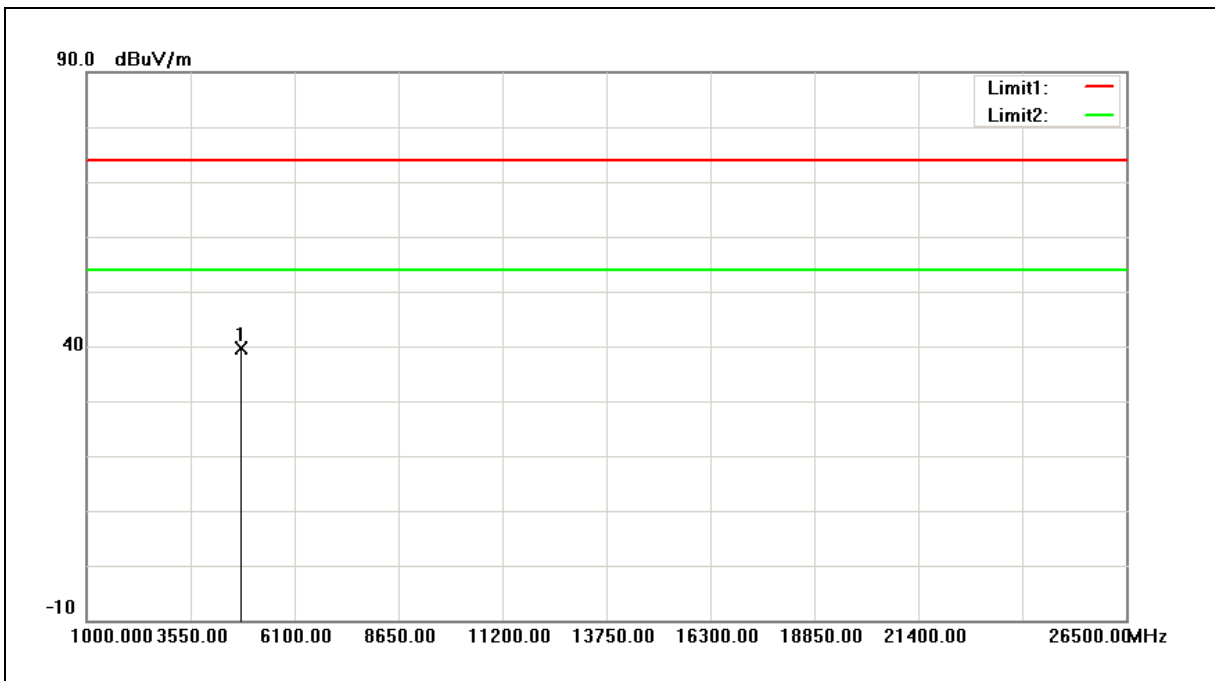


| No. | Frequency (MHz) | Reading (dBuV) | Correct Factor (dB/m) | Result (dBuV/m) | Limit (dBuV/m) | Margin (dB) | Remark |
|-----|-----------------|----------------|-----------------------|-----------------|----------------|-------------|--------|
| 1 | 4804.000 | 48.20 | -8.01 | 40.19 | 74.00 | -33.81 | peak |

- Note:1.Result (dBuV/m) = Correct Factor (dB/m) + Reading(dBuV).
 2.Correction factor (dB/m) = Antenna Factor (dB/m) + Cable loss (dB) – Pre-Amplifier gain (dB).
 3. When the peak results are less than average limit, so not need to evaluate the average.



| | | | |
|-------------|-----------------|----------------------|--------------|
| Standard: | FCC Part 15.247 | Test Distance: | 3m |
| Test item: | Harmonic | Power: | DC 3.8V |
| Frequency: | 2402MHz | Temp.(°C)/Hum.(%RH): | 26(°C)/60%RH |
| Mode: | Mode 1 | Date: | 01/17/2017 |
| Ant.Polar.: | Vertical | | |

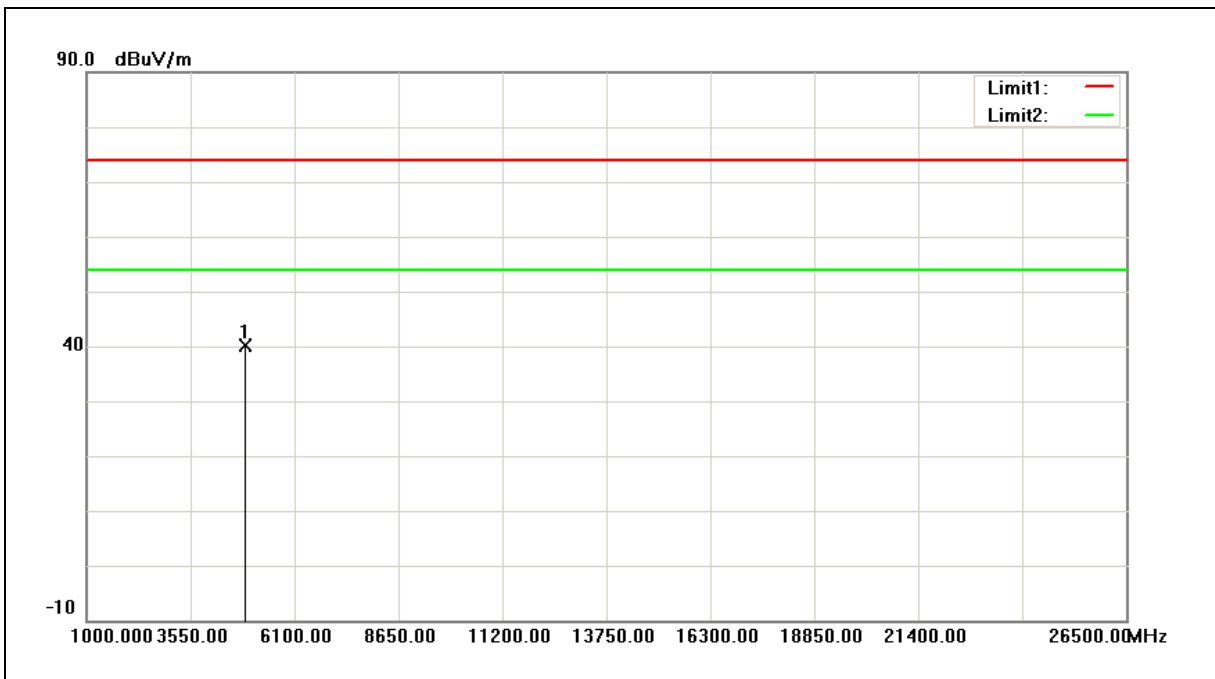


| No. | Frequency (MHz) | Reading (dBuV) | Correct Factor (dB/m) | Result (dBuV/m) | Limit (dBuV/m) | Margin (dB) | Remark |
|-----|-----------------|----------------|-----------------------|-----------------|----------------|-------------|--------|
| 1 | 4804.000 | 47.75 | -8.01 | 39.74 | 74.00 | -34.26 | peak |

- Note:1.Result (dBuV/m) = Correct Factor (dB/m) + Reading(dBuV).
- 2.Correction factor (dB/m) = Antenna Factor (dB/m) + Cable loss (dB) – Pre-Amplifier gain (dB).
3. When the peak results are less than average limit, so not need to evaluate the average.



| | | | |
|-------------|-----------------|----------------------|--------------|
| Standard: | FCC Part 15.247 | Test Distance: | 3m |
| Test item: | Harmonic | Power: | DC 3.8V |
| Frequency: | 2440MHz | Temp.(°C)/Hum.(%RH): | 26(°C)/60%RH |
| Mode: | Mode 1 | Date: | 01/17/2017 |
| Ant.Polar.: | Horizontal | | |

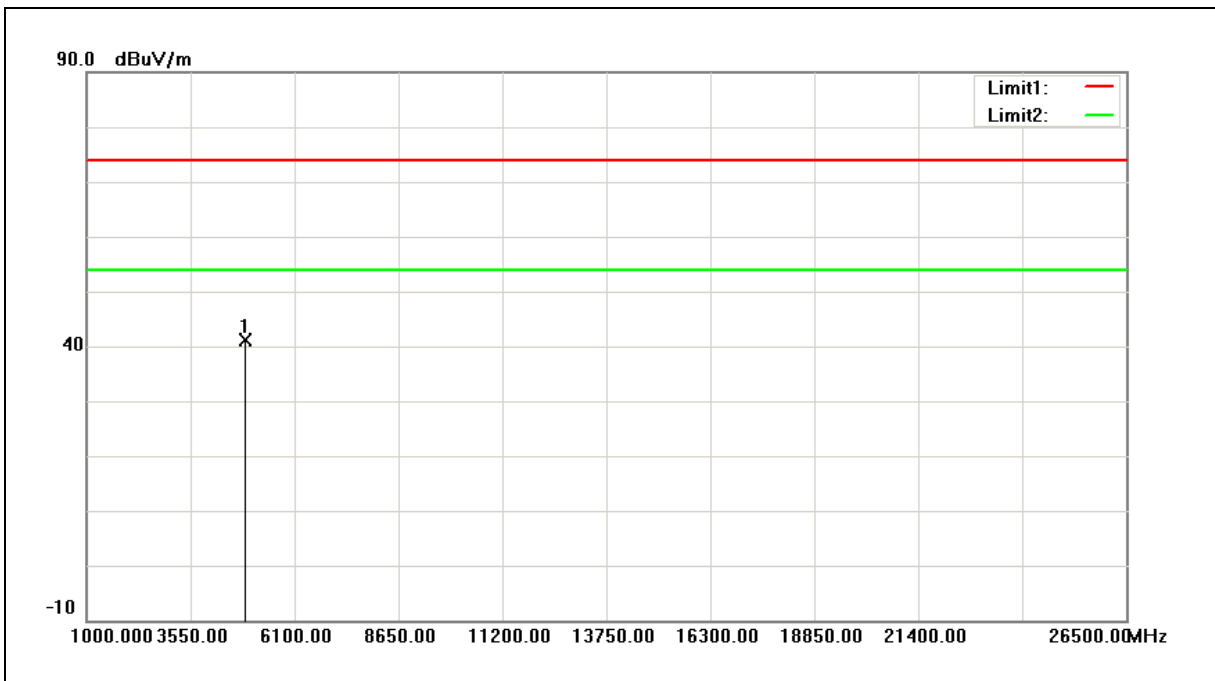


| No. | Frequency (MHz) | Reading (dBuV) | Correct Factor (dB/m) | Result (dBuV/m) | Limit (dBuV/m) | Margin (dB) | Remark |
|-----|-----------------|----------------|-----------------------|-----------------|----------------|-------------|--------|
| 1 | 4880.000 | 47.78 | -7.77 | 40.01 | 74.00 | -33.99 | peak |

- Note:1.Result (dBuV/m) = Correct Factor (dB/m) + Reading(dBuV).
- 2.Correction factor (dB/m) = Antenna Factor (dB/m) + Cable loss (dB) – Pre-Amplifier gain (dB).
3. When the peak results are less than average limit, so not need to evaluate the average.



| | | | |
|-------------|-----------------|----------------------|--------------|
| Standard: | FCC Part 15.247 | Test Distance: | 3m |
| Test item: | Harmonic | Power: | DC 3.8V |
| Frequency: | 2440MHz | Temp.(°C)/Hum.(%RH): | 26(°C)/60%RH |
| Mode: | Mode 1 | Date: | 01/17/2017 |
| Ant.Polar.: | Vertical | | |



| No. | Frequency (MHz) | Reading (dBuV) | Correct Factor (dB/m) | Result (dBuV/m) | Limit (dBuV/m) | Margin (dB) | Remark |
|-----|-----------------|----------------|-----------------------|-----------------|----------------|-------------|--------|
| 1 | 4880.000 | 48.97 | -7.77 | 41.20 | 74.00 | -32.80 | peak |

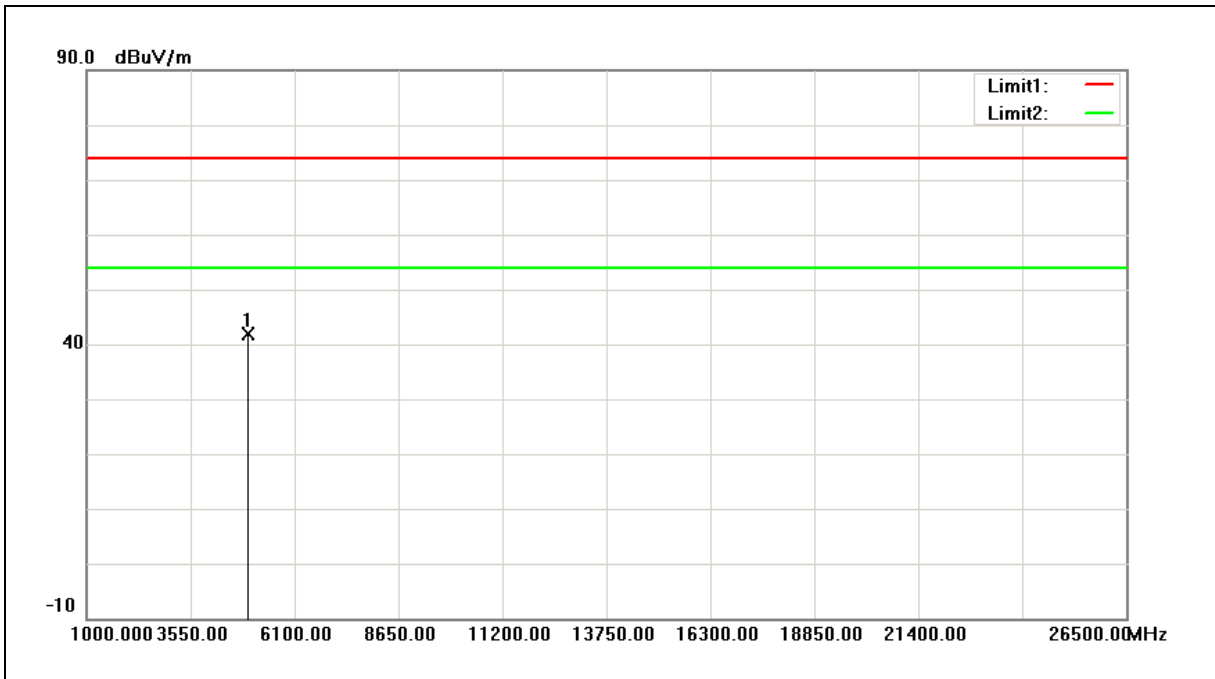
Note:1.Result (dBuV/m) = Correct Factor (dB/m) + Reading(dBuV).

2.Correction factor (dB/m) = Antenna Factor (dB/m) + Cable loss (dB) – Pre-Amplifier gain (dB).

3. When the peak results are less than average limit, so not need to evaluate the average.



| | | | |
|-------------|-----------------|----------------------|--------------|
| Standard: | FCC Part 15.247 | Test Distance: | 3m |
| Test item: | Harmonic | Power: | DC 3.8V |
| Frequency: | 2480MHz | Temp.(°C)/Hum.(%RH): | 26(°C)/60%RH |
| Mode: | Mode 1 | Date: | 01/17/2017 |
| Ant.Polar.: | Horizontal | | |



| No. | Frequency (MHz) | Reading (dBuV) | Correct Factor (dB/m) | Result (dBuV/m) | Limit (dBuV/m) | Margin (dB) | Remark |
|-----|-----------------|----------------|-----------------------|-----------------|----------------|-------------|--------|
| 1 | 4960.000 | 49.44 | -7.52 | 41.92 | 74.00 | -32.08 | peak |

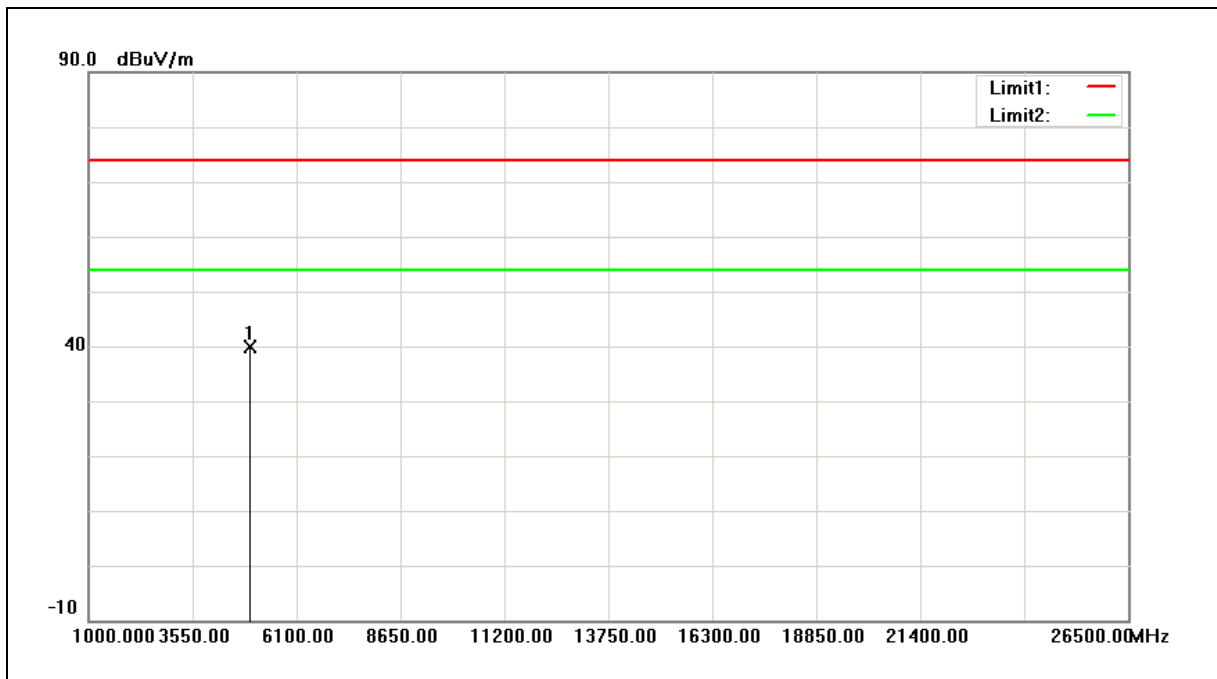
Note:1.Result (dBuV/m) = Correct Factor (dB/m) + Reading(dBuV).

2.Correction factor (dB/m) = Antenna Factor (dB/m) + Cable loss (dB) – Pre-Amplifier gain (dB).

3. When the peak results are less than average limit, so not need to evaluate the average.



| | | | |
|-------------|-----------------|----------------------|--------------|
| Standard: | FCC Part 15.247 | Test Distance: | 3m |
| Test item: | Harmonic | Power: | DC 3.8V |
| Frequency: | 2480MHz | Temp.(°C)/Hum.(%RH): | 26(°C)/60%RH |
| Mode: | Mode 1 | Date: | 01/17/2017 |
| Ant.Polar.: | Vertical | | |



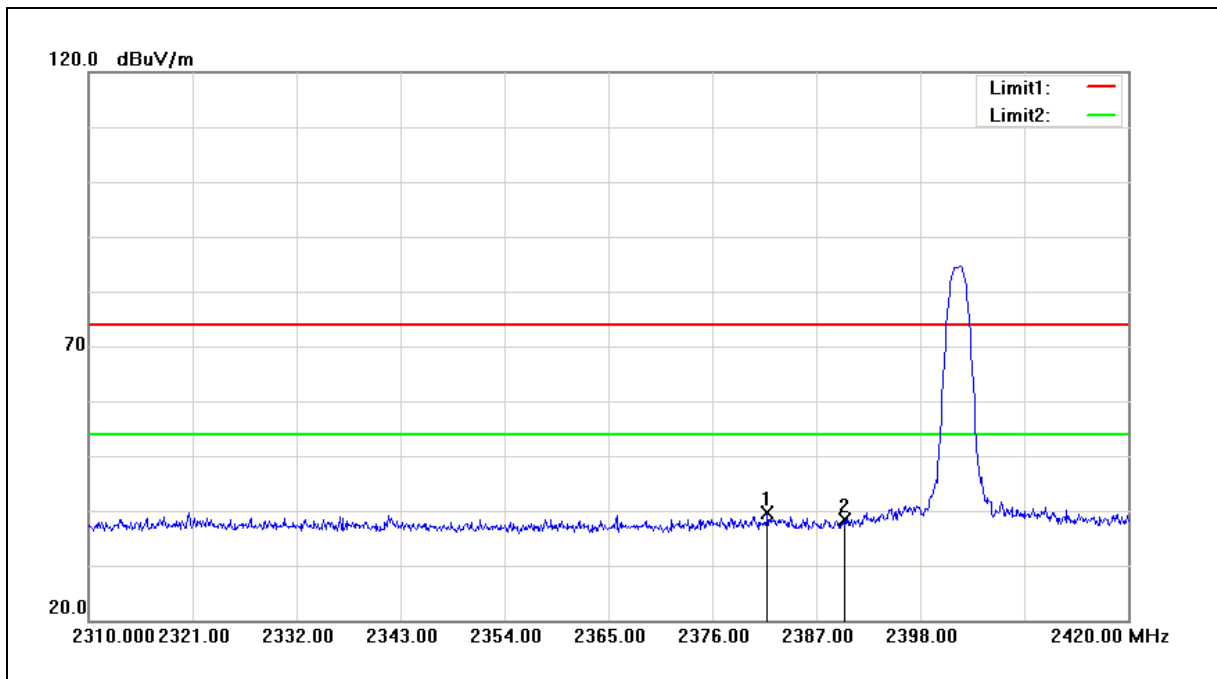
| No. | Frequency (MHz) | Reading (dBuV) | Correct Factor (dB/m) | Result (dBuV/m) | Limit (dBuV/m) | Margin (dB) | Remark |
|-----|-----------------|----------------|-----------------------|-----------------|----------------|-------------|--------|
| 1 | 4960.000 | 47.31 | -7.52 | 39.79 | 74.00 | -34.21 | peak |

- Note:1.Result (dBuV/m) = Correct Factor (dB/m) + Reading(dBuV).
 2.Correction factor (dB/m) = Antenna Factor (dB/m) + Cable loss (dB) – Pre-Amplifier gain (dB).
 3. When the peak results are less than average limit, so not need to evaluate the average.



Band Edge

| | | | |
|-------------|-----------------|----------------------|--------------|
| Standard: | FCC Part 15.247 | Test Distance: | 3m |
| Test item: | Band edge | Power: | DC 3.8V |
| Frequency: | 2402MHz | Temp.(°C)/Hum.(%RH): | 26(°C)/60%RH |
| Mode: | Mode 1 | Date: | 01/17/2017 |
| Ant.Polar.: | Horizontal | | |

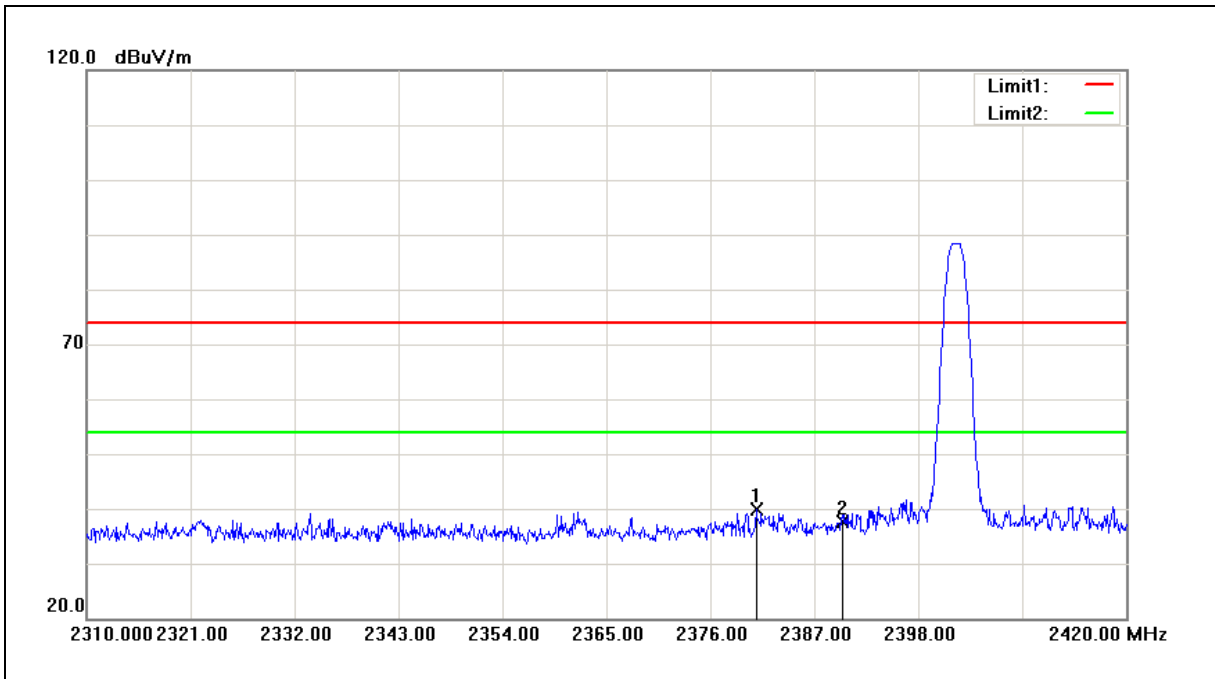


| No. | Frequency (MHz) | Reading (dBuV) | Correct Factor (dB/m) | Result (dBuV/m) | Limit (dBuV/m) | Margin (dB) | Remark |
|-----|-----------------|----------------|-----------------------|-----------------|----------------|-------------|--------|
| 1 | 2381.830 | 39.89 | -0.29 | 39.60 | 74.00 | -34.40 | peak |
| 2 | 2390.000 | 38.67 | -0.26 | 38.41 | 74.00 | -35.59 | peak |

- Note:1.Result (dBuV/m) = Correct Factor (dB/m) + Reading(dBuV).
- 2.Correction factor (dB/m) = Antenna Factor (dB/m) + Cable loss (dB) – Pre-Amplifier gain (dB).
3. When the peak results are less than average limit, so not need to evaluate the average.



| | | | |
|-------------|-----------------|----------------------|--------------|
| Standard: | FCC Part 15.247 | Test Distance: | 3m |
| Test item: | Band edge | Power: | DC 3.8V |
| Frequency: | 2402MHz | Temp.(°C)/Hum.(%RH): | 26(°C)/60%RH |
| Mode: | Mode 1 | Date: | 01/17/2017 |
| Ant.Polar.: | Vertical | | |



| No. | Frequency (MHz) | Reading (dBuV) | Correct Factor (dB/m) | Result (dBuV/m) | Limit (dBuV/m) | Margin (dB) | Remark |
|-----|-----------------|----------------|-----------------------|-----------------|----------------|-------------|--------|
| 1 | 2380.840 | 40.07 | -0.29 | 39.78 | 74.00 | -34.22 | peak |
| 2 | 2390.000 | 37.94 | -0.26 | 37.68 | 74.00 | -36.32 | peak |

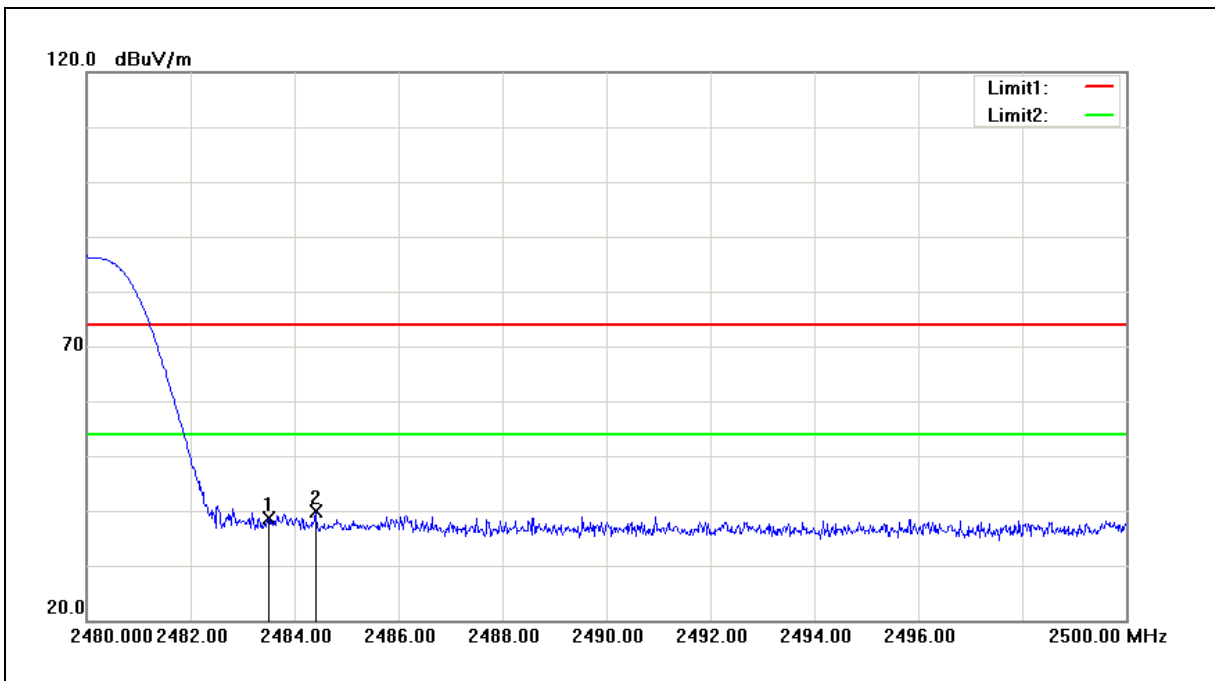
Note:1.Result (dBuV/m) = Correct Factor (dB/m) + Reading(dBuV).

2.Correction factor (dB/m) = Antenna Factor (dB/m) + Cable loss (dB) – Pre-Amplifier gain (dB).

3. When the peak results are less than average limit, so not need to evaluate the average.



| | | | |
|-------------|-----------------|----------------------|--------------|
| Standard: | FCC Part 15.247 | Test Distance: | 3m |
| Test item: | Band edge | Power: | DC 3.8V |
| Frequency: | 2480MHz | Temp.(°C)/Hum.(%RH): | 26(°C)/60%RH |
| Mode: | Mode 1 | Date: | 01/17/2017 |
| Ant.Polar.: | Horizontal | | |

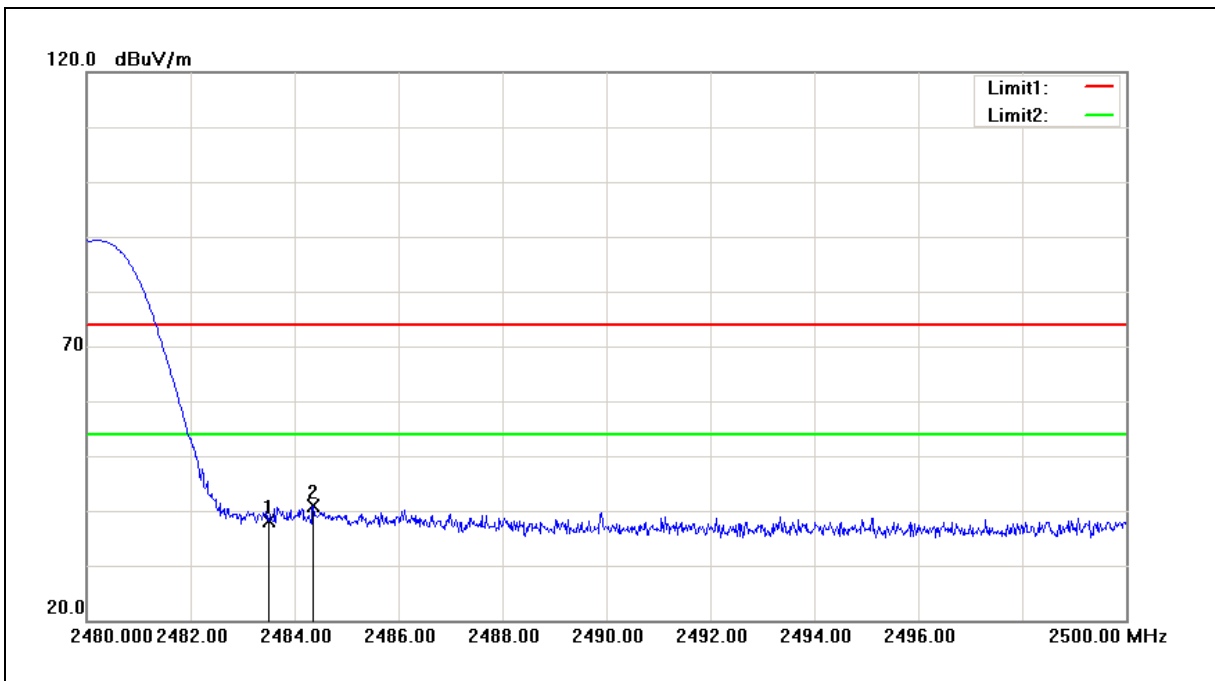


| No. | Frequency (MHz) | Reading (dBuV) | Correct Factor (dB/m) | Result (dBuV/m) | Limit (dBuV/m) | Margin (dB) | Remark |
|-----|-----------------|----------------|-----------------------|-----------------|----------------|-------------|--------|
| 1 | 2483.500 | 38.51 | 0.11 | 38.62 | 74.00 | -35.38 | peak |
| 2 | 2484.400 | 39.67 | 0.12 | 39.79 | 74.00 | -34.21 | peak |

- Note:1.Result (dBuV/m) = Correct Factor (dB/m) + Reading(dBuV).
- 2.Correction factor (dB/m) = Antenna Factor (dB/m) + Cable loss (dB) – Pre-Amplifier gain (dB).
3. When the peak results are less than average limit, so not need to evaluate the average.



| | | | |
|-------------|-----------------|----------------------|--------------|
| Standard: | FCC Part 15.247 | Test Distance: | 3m |
| Test item: | Band edge | Power: | DC 3.8V |
| Frequency: | 2480MHz | Temp.(°C)/Hum.(%RH): | 26(°C)/60%RH |
| Mode: | Mode 1 | Date: | 01/17/2017 |
| Ant.Polar.: | Vertical | | |



| No. | Frequency (MHz) | Reading (dBuV) | Correct Factor (dB/m) | Result (dBuV/m) | Limit (dBuV/m) | Margin (dB) | Remark |
|-----|-----------------|----------------|-----------------------|-----------------|----------------|-------------|--------|
| 1 | 2483.500 | 38.10 | 0.11 | 38.21 | 74.00 | -35.79 | peak |
| 2 | 2484.360 | 40.67 | 0.12 | 40.79 | 74.00 | -33.21 | peak |

Note:1.Result (dBuV/m) = Correct Factor (dB/m) + Reading(dBuV).

2.Correction factor (dB/m) = Antenna Factor (dB/m) + Cable loss (dB) – Pre-Amplifier gain (dB).

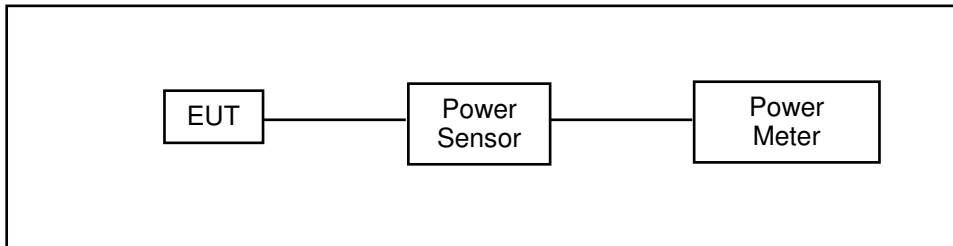
3. When the peak results are less than average limit, so not need to evaluate the average.

6 Maximum Conducted Output Power Measurement

■ Limit

For systems using digital modulation in the 2400-2483.5MHz, the limit for peak output power is 30dBm.

■ Test Setup



■ Test Instruments

| Equipment | Manufacturer | Model Number | Serial Number | Cal. Date | Remark |
|-----------------|--------------|-----------------------|---------------|------------|--------|
| Power Sensor | Anritsu | MA2411B | 1126022 | 08/29/2016 | 1 year |
| Power Meter | Anritsu | ML2495A | 1135009 | 08/29/2016 | 1 year |
| Microwave Cable | EMCI | EMC104-SM-S M-1500 | 140303 | 02/23/2016 | 1 year |
| Test Site | ATL | TE05 | TE05 | N.C.R. | ----- |

Note: N.C.R. = No Calibration Request.

■ Test Procedure

The tests below are run with the EUT's transmitter set at high power in TX mode. The EUT is needed to force selection of output power level and channel number. While testing, EUT was set to transmit continuously. Remove the Subjective device's antenna and connect the RF output port to power sensor..

■ Test Result

| Test Date: | 01/18/2017 | | | | |
|-----------------|---------------|---------|--------------|----------------|-------------|
| Frequency (MHz) | Average Power | | Peak Power | | Limit (dBm) |
| | (dBm) | (W) | (dBm) | (W) | |
| 2402 | -3.86 | 0.00041 | -3.58 | 0.00044 | < 30 |
| 2440 | -3.55 | 0.00044 | -3.28 | 0.00047 | < 30 |
| 2480 | -3.31 | 0.00047 | -3.03 | 0.00050 | < 30 |

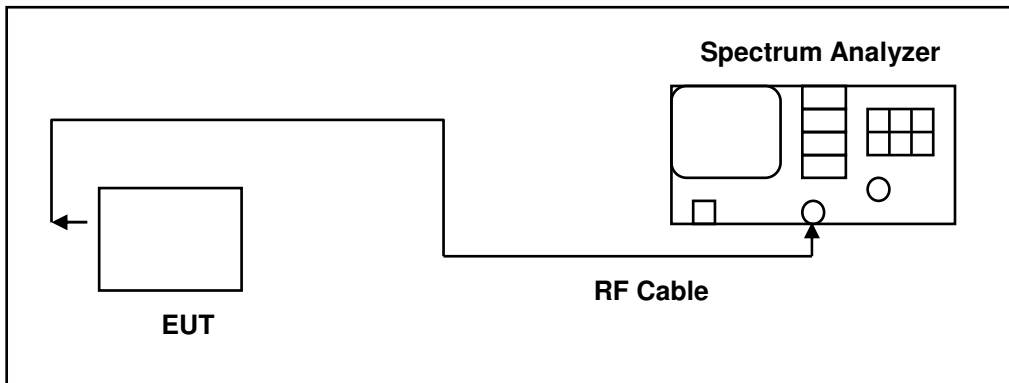
Note: The relevant measured result has the offset with cable loss already.

7 6dB RF Bandwidth Measurement

■ Limit

6dB RF Bandwidth: Systems using digital modulation techniques may operate in the 2400–2483.5 MHz bands. The minimum 6 dB band-width shall be at least 500 kHz.

■ Test Setup



■ Test Instruments

| Equipment | Manufacturer | Model Number | Serial Number | Cal. Date | Remark |
|-------------------|--------------|-----------------------|---------------|------------|--------|
| Spectrum Analyzer | Agilent | E4445A | MY45300744 | 12/19/2016 | 1 year |
| Microwave Cable | EMCI | EMC104-SM-S M-1500 | 140303 | 02/23/2016 | 1 year |
| Test Site | ATL | TE05 | TE05 | N.C.R. | ----- |

Note: N.C.R. = No Calibration Request.

■ Test Procedure

The EUT tested to DTS test procedure of KDB558074D01 for compliance to FCC 47CFR 15.247 requirements.

6dB RF Bandwidth: The antenna port of the EUT was connected to the input of a spectrum analyzer. Analyzer RBW was set to 100 kHz. For each RF output channel investigated, the spectrum analyzer center frequency was set to the channel carrier. A peak output reading was taken, a DISPLAY line was drawn 6 dB lower than peak level. The 6 dB bandwidth was determined from where the channel output spectrum intersected the display line.

The test was performed at 3 channels (Channel low, middle, high)




■ **Test Result**

| Test Date: | 01/18/2017 | |
|-----------------|---------------------------|-------------|
| Frequency (MHz) | Measurement Results (kHz) | Limit (kHz) |
| 2402 | 667.200 | > 500 |
| 2440 | 670.300 | > 500 |
| 2480 | 673.500 | > 500 |



■ Test Graphs

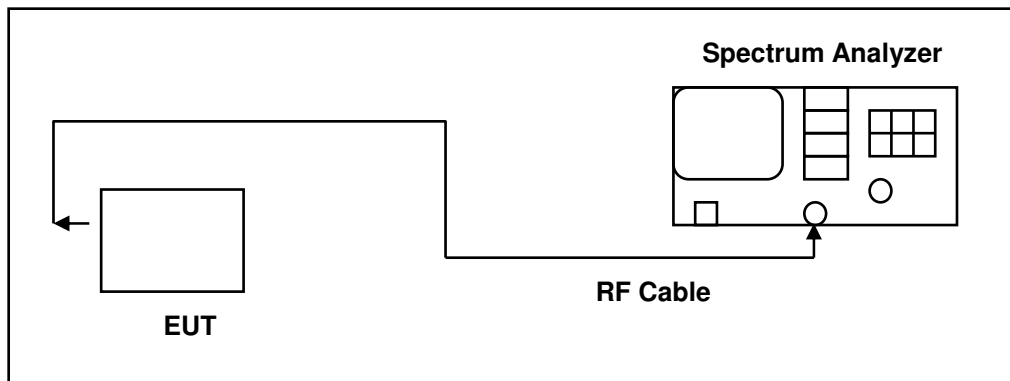
| Test Mode: | Mode 1 | | | | | | | | | | | | | | | | | | |
|---------------------|--|--------------------|-------------|----------|-------------------|--|--|---------------------|-----------|---------|----------------|------|----------|--|--|--|--|--|--|
| 2402 MHz |  <p>Agilent Spectrum Analyzer - Occupied BW</p> <p>Center Freq: 2.402000000 GHz Trig: Free Run #Aver: 10 dB</p> <p>Ref Offset: 0.6 dB Ref: 10.00 dBm</p> <p>Center 2.402 GHz #Res BW 100 kHz #VBW 300 kHz Span 3 MHz Sweep 1 ms</p> <table border="1"> <tr> <td>Occupied Bandwidth</td> <td>Total Power</td> <td>2.35 dBm</td> </tr> <tr> <td>1.0704 MHz</td> <td></td> <td></td> </tr> <tr> <td>Transmit Freq Error</td> <td>OBW Power</td> <td>99.00 %</td> </tr> <tr> <td>x dB Bandwidth</td> <td>x dB</td> <td>-6.00 dB</td> </tr> <tr> <td></td> <td></td> <td></td> </tr> <tr> <td></td> <td></td> <td></td> </tr> </table> | Occupied Bandwidth | Total Power | 2.35 dBm | 1.0704 MHz | | | Transmit Freq Error | OBW Power | 99.00 % | x dB Bandwidth | x dB | -6.00 dB | | | | | | |
| Occupied Bandwidth | Total Power | 2.35 dBm | | | | | | | | | | | | | | | | | |
| 1.0704 MHz | | | | | | | | | | | | | | | | | | | |
| Transmit Freq Error | OBW Power | 99.00 % | | | | | | | | | | | | | | | | | |
| x dB Bandwidth | x dB | -6.00 dB | | | | | | | | | | | | | | | | | |
| | | | | | | | | | | | | | | | | | | | |
| | | | | | | | | | | | | | | | | | | | |
| 2440 MHz |  <p>Agilent Spectrum Analyzer - Occupied BW</p> <p>Center Freq: 2.440000000 GHz Trig: Free Run #Aver: 10 dB</p> <p>Ref Offset: 0.6 dB Ref: 10.00 dBm</p> <p>Center 2.44 GHz #Res BW 100 kHz #VBW 300 kHz Span 3 MHz Sweep 1 ms</p> <table border="1"> <tr> <td>Occupied Bandwidth</td> <td>Total Power</td> <td>2.75 dBm</td> </tr> <tr> <td>1.0744 MHz</td> <td></td> <td></td> </tr> <tr> <td>Transmit Freq Error</td> <td>OBW Power</td> <td>99.00 %</td> </tr> <tr> <td>x dB Bandwidth</td> <td>x dB</td> <td>-6.00 dB</td> </tr> <tr> <td></td> <td></td> <td></td> </tr> <tr> <td></td> <td></td> <td></td> </tr> </table> | Occupied Bandwidth | Total Power | 2.75 dBm | 1.0744 MHz | | | Transmit Freq Error | OBW Power | 99.00 % | x dB Bandwidth | x dB | -6.00 dB | | | | | | |
| Occupied Bandwidth | Total Power | 2.75 dBm | | | | | | | | | | | | | | | | | |
| 1.0744 MHz | | | | | | | | | | | | | | | | | | | |
| Transmit Freq Error | OBW Power | 99.00 % | | | | | | | | | | | | | | | | | |
| x dB Bandwidth | x dB | -6.00 dB | | | | | | | | | | | | | | | | | |
| | | | | | | | | | | | | | | | | | | | |
| | | | | | | | | | | | | | | | | | | | |
| 2480 MHz |  <p>Agilent Spectrum Analyzer - Occupied BW</p> <p>Center Freq: 2.480000000 GHz Trig: Free Run #Aver: 10 dB</p> <p>Ref Offset: 0.6 dB Ref: 10.00 dBm</p> <p>Center 2.48 GHz #Res BW 100 kHz #VBW 300 kHz Span 3 MHz Sweep 1 ms</p> <table border="1"> <tr> <td>Occupied Bandwidth</td> <td>Total Power</td> <td>3.05 dBm</td> </tr> <tr> <td>1.0763 MHz</td> <td></td> <td></td> </tr> <tr> <td>Transmit Freq Error</td> <td>OBW Power</td> <td>99.00 %</td> </tr> <tr> <td>x dB Bandwidth</td> <td>x dB</td> <td>-6.00 dB</td> </tr> <tr> <td></td> <td></td> <td></td> </tr> <tr> <td></td> <td></td> <td></td> </tr> </table> | Occupied Bandwidth | Total Power | 3.05 dBm | 1.0763 MHz | | | Transmit Freq Error | OBW Power | 99.00 % | x dB Bandwidth | x dB | -6.00 dB | | | | | | |
| Occupied Bandwidth | Total Power | 3.05 dBm | | | | | | | | | | | | | | | | | |
| 1.0763 MHz | | | | | | | | | | | | | | | | | | | |
| Transmit Freq Error | OBW Power | 99.00 % | | | | | | | | | | | | | | | | | |
| x dB Bandwidth | x dB | -6.00 dB | | | | | | | | | | | | | | | | | |
| | | | | | | | | | | | | | | | | | | | |
| | | | | | | | | | | | | | | | | | | | |

8 Maximum Power Density Measurement

■ Limit

For digitally modulated systems, the power spectral density conducted from the intentional radiator to the antenna shall not be greater than 8 dBm in any 3 kHz band during any time interval of continuous transmission.

■ Test Setup



■ Test Instruments

| Equipment | Manufacturer | Model Number | Serial Number | Cal. Date | Remark |
|-------------------|--------------|-----------------------|---------------|------------|--------|
| Spectrum Analyzer | Agilent | E4445A | MY45300744 | 12/19/2016 | 1 year |
| Microwave Cable | EMCI | EMC104-SM-S M-1500 | 140303 | 02/23/2016 | 1 year |
| Test Site | ATL | TE05 | TE05 | N.C.R. | ----- |

Note: N.C.R. = No Calibration Request.

■ Test Procedure

The EUT tested to DTS test procedure of KDB558074D01 for compliance to FCC 47CFR 15.247 requirements.

1. Set analyzer center frequency to DTS channel center frequency.
2. Set the span to 1.5 times the DTS bandwidth.
3. Set the RBW to: $3 \text{ kHz} \leq \text{RBW} \leq 100 \text{ kHz}$.
4. Set the VBW $\geq 3 \times \text{RBW}$.
5. Detector = peak.
6. Sweep time = auto couple.
7. Trace mode = max hold.
8. Allow trace to fully stabilize.
9. Use the peak marker function to determine the maximum amplitude level within the RBW.
10. If measured value exceeds limit, reduce RBW (no less than 3 kHz) and repeat.



■ **Test Result**

| | | |
|-----------------|--------------------------------|-------------|
| Test Date: | 01/18/2017 | |
| Frequency (MHz) | Measurement Results (dBm/3KHz) | Limit (dBm) |
| 2402 | -16.683 | < 8 |
| 2440 | -16.538 | < 8 |
| 2480 | -15.889 | < 8 |

■ Test Graphs

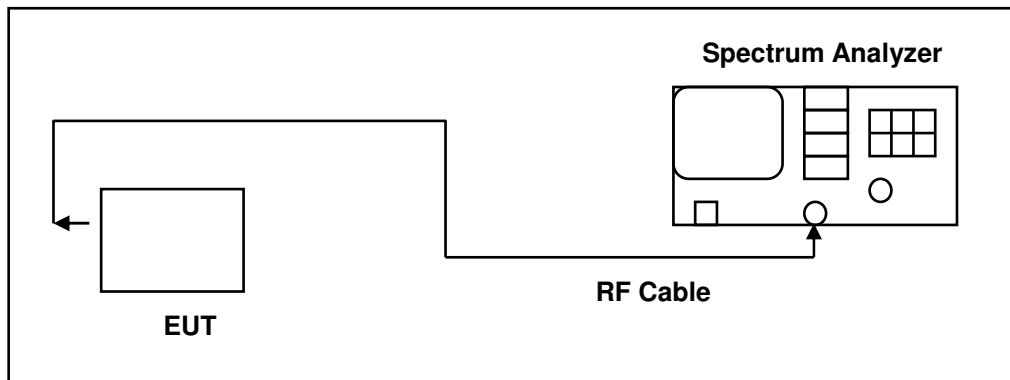
| Test Mode: | Mode 1 |
|------------|--|
| 2402 MHz | <p>Agilent Spectrum Analyzer - Sweep SA Ref Offset 0.5 dB Ref 10.00 dBm Mkr1 2.401 994 35 GHz -16.683 dBm Center 2.402000 GHz #Res BW 3.0 kHz #VBW 10 kHz Sweep 213.3 ms (40001 pts) Span 2.000 MHz</p> |
| 2440 MHz | <p>Agilent Spectrum Analyzer - Sweep SA Ref Offset 0.5 dB Ref 10.00 dBm Mkr1 2.439 981 00 GHz -16.538 dBm Center 2.440000 GHz #Res BW 3.0 kHz #VBW 10 kHz Sweep 213.3 ms (40001 pts) Span 2.000 MHz</p> |
| 2480 MHz | <p>Agilent Spectrum Analyzer - Sweep SA Ref Offset 0.5 dB Ref 10.00 dBm Mkr1 2.479 972 30 GHz -16.889 dBm Center 2.480000 GHz #Res BW 3.0 kHz #VBW 10 kHz Sweep 213.3 ms (40001 pts) Span 2.000 MHz</p> |

9 Out of Band Conducted Emissions Measurement

■ Limit

In any 100 kHz bandwidth outside the frequency band in which the spread spectrum or digitally modulated intentional radiator is operating, the radio frequency power that is produced by the intentional radiator shall be at least 20 dB below that in the 100 kHz bandwidth within the band that contains the highest level of the desired power

■ Test Setup



■ Test Instruments

| Equipment | Manufacturer | Model Number | Serial Number | Cal. Date | Remark |
|-------------------|--------------|-----------------------|---------------|------------|--------|
| Spectrum Analyzer | Agilent | E4445A | MY45300744 | 12/19/2016 | 1 year |
| Spectrum Analyzer | Agilent | E4408B | MY45107753 | 08/08/2016 | 1 year |
| Microwave Cable | EMCI | EMC104-SM-S M-1500 | 140303 | 02/23/2016 | 1 year |
| Test Site | ATL | TE05 | TE05 | N.C.R. | ----- |

Note: N.C.R. = No Calibration Request.

■ Test Procedure

In any 100 kHz bandwidth outside the EUT pass band, the RF power produced by the modulation products of the spreading sequence, the information sequence, and the carrier frequency shall be at least 20 dB below that of the maximum in-band 100 kHz emission, antenna output of the EUT was coupled directly to spectrum analyzer; if an external attenuator and/or cable was used, these losses are compensated for with the analyzer OFFSET function.

All other types of emissions from the EUT shall meet the general limits for radiated frequencies outside the pass band.

The test was performed at 3 channels.





■ Test Graphs

| Reference level | |
|-----------------|---|
| Test Date: | 01/18/2017 |
| Test Mode: | Mode 1 |
| 2402 MHz | <p>Agilent Spectrum Analyzer - Swept S4</p> <p>Ref Offset 0.5 dB Ref 10.00 dBm</p> <p>Mkr1 2.401 980 50 GHz -4.188 dBm</p> <p>Center 2.402000 GHz #Res BW 100 kHz #VBW 300 kHz Sweep 2.667 ms (40001 pts)</p> |
| 2440 MHz | <p>Agilent Spectrum Analyzer - Swept S4</p> <p>Ref Offset 0.5 dB Ref 10.00 dBm</p> <p>Mkr1 2.439 987 55 GHz -3.581 dBm</p> <p>Center 2.440000 GHz #Res BW 100 kHz #VBW 300 kHz Sweep 2.667 ms (40001 pts)</p> |
| 2480 MHz | <p>Agilent Spectrum Analyzer - Swept S4</p> <p>Ref Offset 0.5 dB Ref 10.00 dBm</p> <p>Mkr1 2.479 990 40 GHz -3.225 dBm</p> <p>Center 2.480000 GHz #Res BW 100 kHz #VBW 300 kHz Sweep 2.667 ms (40001 pts)</p> |



| Out of Band Conducted Emissions | |
|---------------------------------|------------|
| Test Date: | 01/18/2017 |
| Test Mode: | Mode 1 |
| 2402 MHz | |
| 2440 MHz | |
| 2480 MHz | |



| Conducted Band Edge | | | | | | | | | | | | | | | | | | | | | | | | | | | | |
|---------------------|---|-----|------|---------------|-------------|----------|----------------|----------------|----------------|----------------|---|---|---|---|---------------|------------|--|--|--|---|---|---|---|---------------|-------------|--|--|--|
| Test Date: | 01/18/2017 | | | | | | | | | | | | | | | | | | | | | | | | | | | |
| Test Mode: | Mode 1 | | | | | | | | | | | | | | | | | | | | | | | | | | | |
| 2402 MHz |  <table border="1"> <thead> <tr> <th>MKR</th> <th>MODE</th> <th>TRC</th> <th>SQL</th> <th>X</th> <th>Y</th> <th>FUNCTION</th> <th>FUNCTION WIDTH</th> <th>FUNCTION VALUE</th> </tr> </thead> <tbody> <tr> <td>1</td> <td>N</td> <td>1</td> <td>f</td> <td>2.4019904 GHz</td> <td>-3.624 dBm</td> <td></td> <td></td> <td></td> </tr> <tr> <td>2</td> <td>N</td> <td>1</td> <td>f</td> <td>2.4000000 GHz</td> <td>-52.926 dBm</td> <td></td> <td></td> <td></td> </tr> </tbody> </table> | MKR | MODE | TRC | SQL | X | Y | FUNCTION | FUNCTION WIDTH | FUNCTION VALUE | 1 | N | 1 | f | 2.4019904 GHz | -3.624 dBm | | | | 2 | N | 1 | f | 2.4000000 GHz | -52.926 dBm | | | |
| MKR | MODE | TRC | SQL | X | Y | FUNCTION | FUNCTION WIDTH | FUNCTION VALUE | | | | | | | | | | | | | | | | | | | | |
| 1 | N | 1 | f | 2.4019904 GHz | -3.624 dBm | | | | | | | | | | | | | | | | | | | | | | | |
| 2 | N | 1 | f | 2.4000000 GHz | -52.926 dBm | | | | | | | | | | | | | | | | | | | | | | | |
| 2480 MHz |  <table border="1"> <thead> <tr> <th>MKR</th> <th>MODE</th> <th>TRC</th> <th>SQL</th> <th>X</th> <th>Y</th> <th>FUNCTION</th> <th>FUNCTION WIDTH</th> <th>FUNCTION VALUE</th> </tr> </thead> <tbody> <tr> <td>1</td> <td>N</td> <td>1</td> <td>f</td> <td>2.4799692 GHz</td> <td>-3.176 dBm</td> <td></td> <td></td> <td></td> </tr> <tr> <td>2</td> <td>N</td> <td>1</td> <td>f</td> <td>2.4835000 GHz</td> <td>-61.650 dBm</td> <td></td> <td></td> <td></td> </tr> </tbody> </table> | MKR | MODE | TRC | SQL | X | Y | FUNCTION | FUNCTION WIDTH | FUNCTION VALUE | 1 | N | 1 | f | 2.4799692 GHz | -3.176 dBm | | | | 2 | N | 1 | f | 2.4835000 GHz | -61.650 dBm | | | |
| MKR | MODE | TRC | SQL | X | Y | FUNCTION | FUNCTION WIDTH | FUNCTION VALUE | | | | | | | | | | | | | | | | | | | | |
| 1 | N | 1 | f | 2.4799692 GHz | -3.176 dBm | | | | | | | | | | | | | | | | | | | | | | | |
| 2 | N | 1 | f | 2.4835000 GHz | -61.650 dBm | | | | | | | | | | | | | | | | | | | | | | | |



10 Antenna Measurement

■ Limit

For intentional device, according to 15.203, an intentional radiator shall be designed to ensure that no antenna other than that furnished by the responsible party shall be used with the device.

And According to 15.247 (b), if transmitting antennas of directional gain greater than 6 dBi are used, the power shall be reduced by the amount in dB that the directional gain of the antenna exceeds 6dBi.

■ Antenna Connector Construction

See section 2 – antenna information.