

FCC 47 CFR PART 15 SUBPART C

Product Type : Wireless Motherboard
Applicant : ELITEGROUP COMPUTER SYSTEMS CO., LTD
Address : No.239, Sec. 2, Ti Ding Blvd., Taipei, Taiwan
Trade Name : ECS ELITEGROUP
Model Number : MCT02A
Test Specification : FCC 47 CFR PART 15 SUBPART C: Oct., 2013
ANSI C63.4:2009
Receive Date : Jul. 18, 2014
Test Period : Jul. 22~Jul. 26, 2014
Issue Date : Aug. 05, 2014

Issue by

A Test Lab Techno Corp.
No. 140-1, Changan Street, Bade City,
Taoyuan County 334, Taiwan R.O.C.
Tel : +886-3-2710188 / Fax : +886-3-2710190



Taiwan Accreditation Foundation accreditation number: 1330

Note: This report shall not be reproduced except in full, without the written approval of A Test Lab Techno Corp. This document may be altered or revised by A Test Lab Techno Corp. personnel only, and shall be noted in the revision section of the document. The client should not use it to claim product endorsement by TAF, or any government agencies. The test results in the report only apply to the tested sample.

Revision History

Rev.	Issue Date	Revisions	Revised By
00	Aug. 01, 2014	Initial Issue	
01	Aug. 05, 2014	Revise Report Information	Janice Huang

Verification of Compliance

Issued Date: 08/05/2014

Product Type : Wireless Motherboard
Applicant : ELITEGROUP COMPUTER SYSTEMS CO., LTD
Address : No.239, Sec. 2, Ti Ding Blvd., Taipei, Taiwan
Trade Name : ECS ELITEGROUP
Model Number : MCT02A
FCC ID : WL6-TC6BC30CA1
EUT Rated Voltage : DC 3.7V
Test Voltage : DC 3.7V
Applicable Standard : FCC 47 CFR PART 15 SUBPART C: Oct., 2013
ANSI C63.4:2009
Test Result : Complied
Performing Lab. : A Test Lab Techno Corp.

No. 140-1, Changan Street, Bade City,
Taoyuan County 334, Taiwan R.O.C.
Tel : +886-3-2710188 / Fax : +886-3-2710190



Taiwan Accreditation Foundation accreditation number: 1330

<http://www.atl-lab.com.tw/e-index.htm>

The above equipment was tested by A Test Lab Techno Corp. The test data, data evaluation, test procedures, and equipment configurations shown in this report were made in accordance with the procedures given in ANSI C63.4: 2009 and the energy emitted by the sample tested as described in this report is in compliance with the requirements of FCC Rules Part 15.207, 15.209, 15.247 .

The test results of this report relate only to the tested sample identified in this report.

Approved By

: Fly Lu

(Manager)

(Fly Lu)

Reviewed By

: Eric Ou Yang

(Testing Engineer)

(Eric Ou Yang)

TABLE OF CONTENTS

1	General Information.....	6
	1.1. Summary of Test Result	6
	1.2. Measurement Uncertainty	6
2	EUT Description	7
3	Test Methodology	8
	3.1. Mode of Operation	8
	3.2. EUT Exercise Software	8
	3.3. Configuration of Test System Details	9
	3.4. Test Site Environment	9
4	Maximum Conducted Output Power Measurement	10
	4.1. Limit.....	10
	4.2. Test Setup	10
	4.3. Test Instruments	10
	4.4. Test Procedure	10
	4.5. Test Result	11
5	Conducted Emission Measurement.....	13
	5.1. Limit.....	13
	5.2. Test Instruments.....	13
	5.3. Test Setup	13
	5.4. Test Procedure	14
	5.5. Test Result	14
6	Radiated Interference Measurement.....	15
	6.1. Limit.....	15
	6.2. Test Instruments.....	15
	6.3. Setup.....	16
	6.4. Test Procedure	17
	6.5. Test Result	18
7	20dB RF Bandwidth and 99 % Occupied Bandwidth Measurement.....	22
	7.1. Limit.....	22
	7.2. Test Setup	22
	7.3. Test Instruments.....	22
	7.4. Test Procedure	22
	7.5. Test Result	24
	7.6. Test Graphs.....	25

8	Carrier Frequency Separation Measurement	27
	8.1. Limit.....	27
	8.2. Test Setup	27
	8.3. Test Instruments.....	27
	8.4. Test Procedure	27
	8.5. Test Result	28
	8.6. Test Graphs	29
9	Number of Hopping Measurement	31
	9.1. Limit.....	31
	9.2. Test Setup	31
	9.3. Test Instruments.....	31
	9.4. Test Procedure	31
	9.5. Test Result	32
	9.6. Test Graphs	33
10	Time of Occupancy (Dwell Time) Measurement	35
	10.1. Limit.....	35
	10.2. Test Setup	35
	10.3. Test Instruments.....	35
	10.4. Test Procedure	35
	10.5. Test Result	36
	10.6. Test Graphs	38
11	Out of Band Conducted Emissions Measurement	40
	11.1. Limit.....	40
	11.2. Test Setup	40
	11.3. Test Instruments.....	40
	11.4. Test Procedure	40
	11.5. Test Graphs	41
12	Band Edges Measurement	45
	12.1. Limit.....	45
	12.2. Test Setup	45
	12.3. Test Instruments.....	45
	12.4. Test Procedure	46
	12.5. Test Result	47
13	Antenna Measurement	50
	13.1. Limit.....	50
	13.2. Antenna Connector Construction.....	50

1 General Information

1.1. Summary of Test Result

Standard	Item	Result	Remark
15.247			
15.207	AC Power Conducted Emission	N/A	This devices is powered by DC source
Standard	Item	Result	Remark
15.247			
15.247(b)(1)	Max. Output Power	PASS	-----
15.247(d)	Transmitter Radiated Emissions	PASS	-----
15.247(a)(1)	20dB RF Bandwidth	PASS	-----
15.247(a)(1)	Carrier Frequency Separation	PASS	-----
15.247(a)(1)(iii)	Number of Hopping	PASS	-----
15.247(a)(1)(iii)	Time of Occupancy (Dwell Time)	PASS	-----
15.247(d)	Out of Band Conducted Spurious Emission	PASS	-----
15.247(d)	Band Edge Measurement	PASS	-----
-	Occupied Bandwidth Measurement	PASS	-----
15.203	Antenna Requirement	PASS	-----

The test results of this report relate only to the tested sample(s) identified in this report. Manufacturer or whom it may concern should recognize the pass or fail of the test result.

1.2. Measurement Uncertainty

Test Item	Frequency Range	Uncertainty (dB)	
Conducted Emission	9kHz ~ 30MHz	± 2.02	
Radiated Emission	30MHz ~ 1000MHz	Horizontal	± 3.98
		Vertical	± 3.62
	1000MHz ~ 18000MHz	Horizontal	± 3.11
		Vertical	± 3.07
	18000MHz ~ 40000MHz	Horizontal	± 3.66
		Vertical	± 3.54

2 EUT Description

Product	Wireless Motherboard		
Trade Name	ECS ELITEGROUP		
Model Number	MCT02A		
Applicant	ELITEGROUP COMPUTER SYSTEMS CO., LTD No.239, Sec. 2, Ti Ding Blvd., Taipei, Taiwan		
Manufacturer	Golden Elite Technology (SHENZHEN) Co., Ltd. No.1 , Nan-Huan Rd., ShaJing, BaoAn, Shen zhen, China		
FCC ID	WL6-TC6BC30CA1		
Frequency Range	2402 ~ 2480 MHz		
Modulation Type	GFSK for 1Mbps		
	$\pi/4$ -DQPSK for 2Mbps		
	8DPSK for 3Mbps		
Antenna Type	PIFA Type		
Antenna Gain	2.85 dBi		
RF Output Power (Conducted)	GFSK for 1Mbps	5.96 dBm /	0.0039 W
	$\pi/4$ -DQPSK for 2Mbps	3.61 dBm /	0.0023 W
	8DPSK for 3Mbps	3.72 dBm /	0.0024 W
99 % Occupied Bandwidth	GFSK: 0.885MHz		
	8DPSK: 1.215MHz		

3 Test Methodology

3.1. Mode of Operation

Decision of Test ATL has verified the construction and function in typical operation. All the test modes were carried out with the EUT in normal operation, which was shown in this test report and defined as:

Test Mode
Mode 1: Normal Operation Mode
Mode 2: GFSK Link Mode
Mode 3: $\pi/4$ -DQPSK Link Mode
Mode 4: 8DPSK Link Mode

By preliminary testing and verifying three axis (X, Y and Z) position of EUT transmitted status, it was found that "X axis" position was the worst, then the final test was executed the worst condition and test data were recorded in this report.

Description of Test Modes

Preliminary tests were performed in different modulation to find the worst case. The modulation has shown the worst-case in section 6.5. Investigation has been done on all the possible configurations for searching the worst cases.

Tested System Details

The types for all equipments, plus descriptions of all cables used in the tested system (including inserted cards) are:

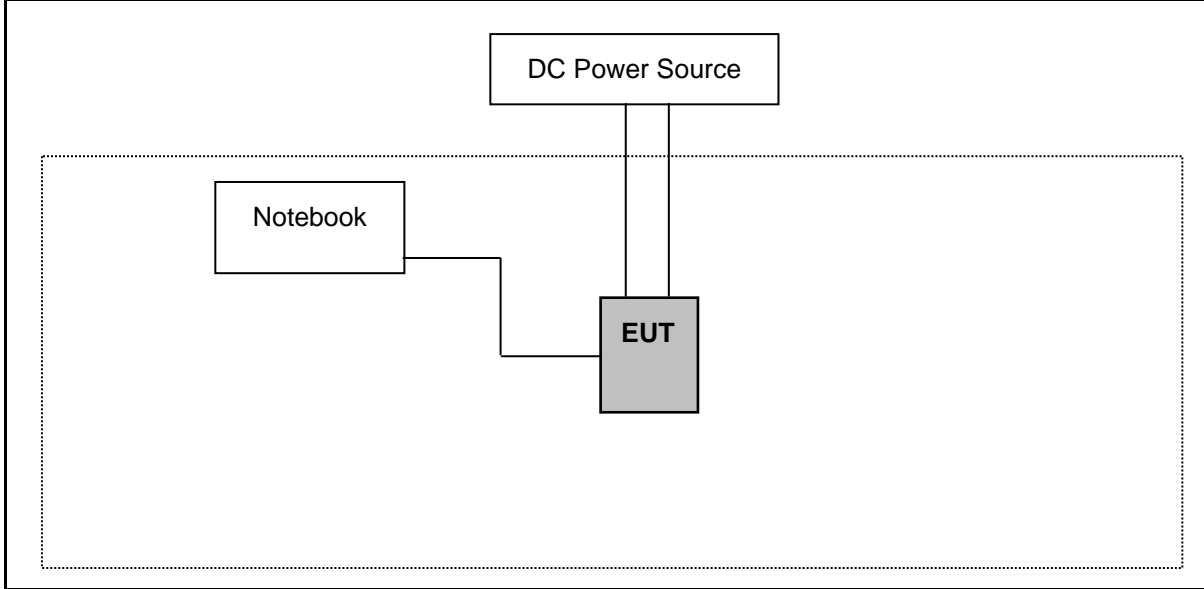
	Product	Manufacturer	Model Number	Serial Number	Power Cord
1.	Bluetooth Tester	R & S	CBT	100350	NA

3.2. EUT Exercise Software

1	Setup the EUT and Bluetooth Tester (CBT) as shown on 3.3.
2	Turn on the power of all equipment.
3	EUT run test program.
4	Open Bluetooth function link to CBT.

3.3. Configuration of Test System Details

Radiated Emissions



3.4. Test Site Environment

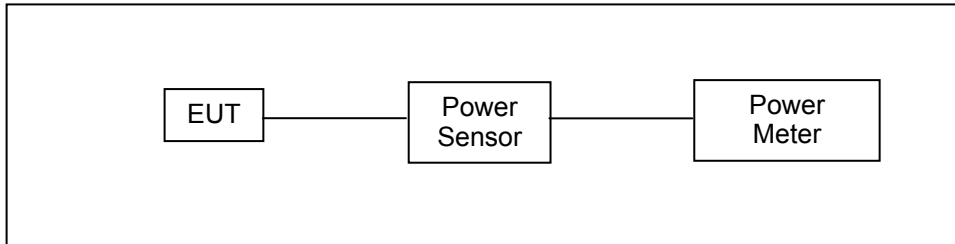
Items	Required (IEC 60068-1)	Actual
Temperature (°C)	15-35	26
Humidity (%RH)	25-75	60
Barometric pressure (mbar)	860-1060	950

4 Maximum Conducted Output Power Measurement

4.1. Limit

For frequency hopping systems operating in the 2400–2483.5 MHz band employing at least 75 non-overlapping hopping channels < 1 watt.

4.2. Test Setup



4.3. Test Instruments

Equipment	Manufacturer	Model Number	Serial Number	Cal. Date	Remark
Single Channel PK Power Sensor	Agilent	N1911A	MY45101619	12/21/2013	(1)
Wideband Power Meter	Agilent	N1921A	MY45241957	12/21/2013	(1)
Test Site	ATL	TE02	TE02	N.C.R.	-----

Remark: (1) Calibration period 1 year. (2) Calibration period 2 years.

NOTE: N.C.R. = No Calibration Request.

4.4. Test Procedure

Testing must be done according to this procedure, FCC Public Notice DA 00-705 - Filing and Measurement Guidelines for Frequency Hopping Spread Spectrum Systems. This is the only method recognized by the FCC. The tests below are run with the EUT's transmitter set at high power in TX mode. The EUT is needed to force selection of output power level and channel number. While testing, EUT was set to transmit continuously. Remove the Subjective device's antenna and connect the RF output port to power sensor. The maximum peak output power shall not exceed 1 watt.

Use a direct connection between the antenna port of transmitter and the power sensor, for prevent the power sensor input attenuation 40-50 dB. Set the RBW Bandwidth of the emission or use a channel power meter mode. For antennas with gains of 6 dBi or less, maximum allowed transmitter output is 1 watt (+30 dBm). For antennas with gains greater than 6 dBi, transmitter output level must be decreased by an amount equal to (GAIN - 6)/3 dBm. The antenna port of the EUT was connected to the input of a power sensor. Power was read directly and cable loss correction was added to the reading to obtain power at the EUT antenna terminals.

4.5. Test Result

Model Number	MCT02A					
Test Item	Maximum Conducted Output Power					
Test Mode	Mode 2: GFSK Link Mode					
Date of Test	07/22/2014			Test Site	TE02	
Frequency (MHz)	Packet Type	Average Power		Peak Power		Limit (W)
		(dBm)	(W)	(dBm)	(W)	
2402	DH1	5.26	0.0034	5.90	0.0039	< 1
	DH3	5.29	0.0034	5.93	0.0039	< 1
	DH5	5.31	0.0034	5.96	0.0039	< 1
2441	DH1	5.02	0.0032	5.71	0.0037	< 1
	DH3	5.06	0.0032	5.73	0.0037	< 1
	DH5	5.08	0.0032	5.76	0.0038	< 1
2480	DH1	4.30	0.0027	5.00	0.0032	< 1
	DH3	4.33	0.0027	5.03	0.0032	< 1
	DH5	4.36	0.0027	5.06	0.0032	< 1

Model Number	MCT02A					
Test Item	Maximum Conducted Output Power					
Test Mode	Mode 3: $\pi/4$ -DQPSK Mode					
Date of Test	07/22/2014			Test Site	TE02	
Frequency (MHz)	Packet Type	Average Power		Peak Power		Limit (W)
		(dBm)	(W)	(dBm)	(W)	
2402	DH1	2.86	0.0019	3.57	0.0023	< 1
	DH3	2.89	0.0019	3.59	0.0023	< 1
	DH5	2.91	0.0020	3.61	0.0023	< 1
2441	DH1	2.71	0.0019	3.42	0.0022	< 1
	DH3	2.73	0.0019	3.45	0.0022	< 1
	DH5	2.75	0.0019	3.48	0.0022	< 1
2480	DH1	1.84	0.0015	2.53	0.0018	< 1
	DH3	1.86	0.0015	2.55	0.0018	< 1
	DH5	1.88	0.0015	2.58	0.0018	< 1

Model Number	MCT02A					
Test Item	Maximum Conducted Output Power					
Test Mode	Mode 4: 8DPSK Link Mode					
Date of Test	07/22/2014			Test Site	TE02	
Frequency (MHz)	Packet Type	Average Power		Peak Power		Limit (W)
		(dBm)	(W)	(dBm)	(W)	
2402	DH1	2.92	0.0020	3.68	0.0023	< 1
	DH3	2.94	0.0020	3.70	0.0023	< 1
	DH5	2.97	0.0020	3.72	0.0024	< 1
2441	DH1	2.76	0.0019	3.54	0.0023	< 1
	DH3	2.79	0.0019	3.56	0.0023	< 1
	DH5	2.81	0.0019	3.59	0.0023	< 1
2480	DH1	1.89	0.0015	2.76	0.0019	< 1
	DH3	1.92	0.0016	2.79	0.0019	< 1
	DH5	1.95	0.0016	2.81	0.0019	< 1

5 Conducted Emission Measurement

5.1. Limit

Frequency (MHz)	Quasi-peak	Average
0.15 - 0.5	66 to 56	56 to 46
0.50 - 5.0	56	46
5.0 - 30.0	60	50

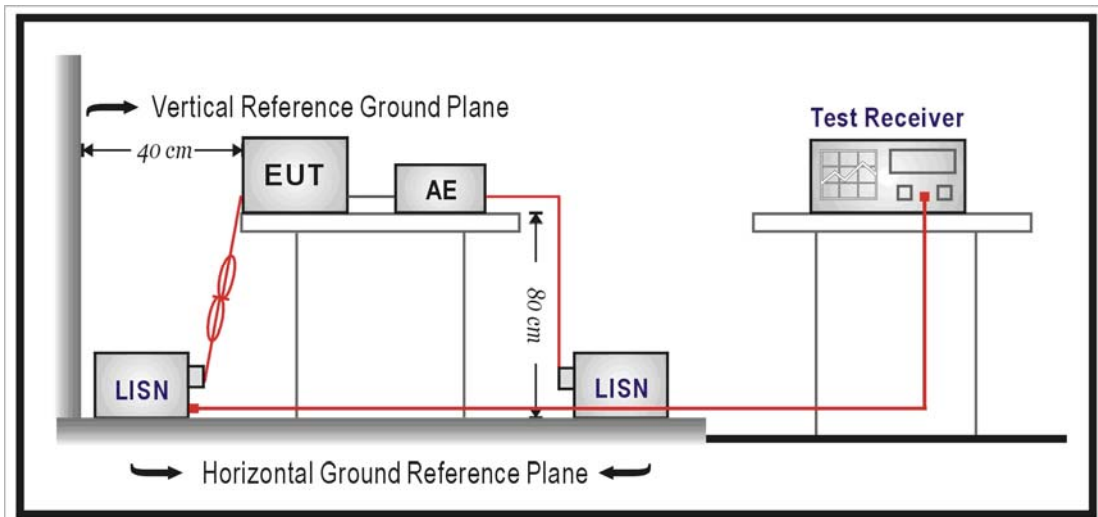
5.2. Test Instruments

Describe	Manufacturer	Model Number	Serial Number	Cal. Date	Remark
Test Receiver	R&S	ESCI	100367	06/12/2014	(1)
LISN	R&S	ENV216	101040	03/07/2014	(1)
LISN	R&S	ENV216	101041	03/07/2014	(1)
Test Site	ATL	TE05	TE05	N.C.R.	-----

Remark: (1) Calibration period 1 year. (2) Calibration period 2 years.

NOTE: N.C.R. = No Calibration Request.

5.3. Test Setup



5.4. Test Procedure

The power line conducted emission measurements were performed in a shielded enclosure. The EUT was assembled on a wooden table which is 80 centimeters high, was placed 40 centimeters from the back wall and at least 1 meter from the sidewall.

Power was fed to the EUT from the public utility power grid through a line filter and EMCO Model 3162/2 SH Line Impedance Stabilization Networks (LISN). The LISN housing, measuring instrumentation case, ground plane, etc., were electrically bonded together at the same RF potential. The Spectrum analyzer was connected to the AC line through an isolation transformer. The 50-ohm output of the LISN was connected to the spectrum analyzer directly. Conducted emission levels were in the CISPR quasi-peak detection mode. The analyzer's 6 dB bandwidth was set to 9 KHz. No post-detector video filter was used.

The spectrum was scanned from 150 KHz to 30 MHz. The physical arrangement of the test system and associated cabling was varied (within the scope of arrangements likely to be encountered in actual use) to determine the effect on the unit's emanations in amplitude and frequency. All spurious emission frequencies were observed. The highest emission amplitudes relative to the appropriate limit were measured and have been recorded in paragraph 4.1.

5.5. Test Result

Not applicable, this devices is powered by DC source.

6 Radiated Interference Measurement

6.1. Limit

According to §15.209(a), except as provided elsewhere in this subpart, the emissions from an intentional radiator shall not exceed the field strength levels specified in the following table:

Frequency (MHz)	Field Strength ($\mu\text{V}/\text{m}$ at meter)	Measurement Distance (meters)
0.009 – 0.490	2400 / F (kHz)	300
0.490 – 1.705	24000 / F (kHz)	30
1.705 – 30.0	30	30
30 - 88	100**	3
88-216	150**	3
216-960	200**	3
Above 960	500	3

** Except as provided in paragraph (g), fundamental emissions from intentional radiators operating under this Section shall not be located in the frequency bands 54-72 MHz, 76-88 MHz, 174-216 MHz or 470-806 MHz. However, operation within these frequency bands is permitted under other sections of this Part, e.g., Sections 15.231 and 15.241.

6.2. Test Instruments

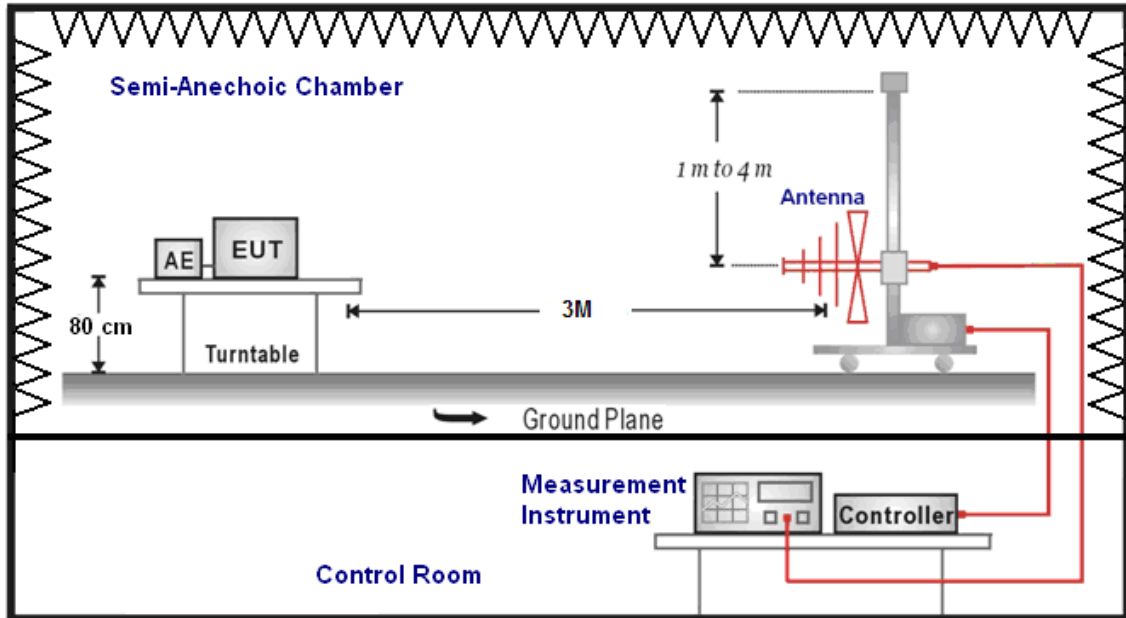
3 Meter Chamber					
Equipment	Manufacturer	Model Number	Serial Number	Cal. Date	Remark
RF Pre-selector	Agilent	N9039A	MY46520256	01/10/2014	(1)
Spectrum Analyzer	Agilent	E4446A	MY46180578	01/10/2014	(1)
Pre Amplifier	Agilent	8449B	3008A02237	02/21/2014	(1)
Pre Amplifier	Agilent	8447D	2944A10961	02/21/2014	(1)
Broadband Antenna (30MHz~1GHz)	SCHWARZBECK MESS-ELEKTRONIK	VULB9163	9163-270	07/18/2014	(1)
Horn Antenna (1~18GHz)	SCHWARZBECK MESS-ELEKTRONIK	BBHA9120D	9120D-550	06/11/2014	(1)
Horn Antenna (18~40GHz)	SCHWARZBECK MESS-ELEKTRONIK	BBHA9170	9170-320	06/13/2014	(1)
Loop Antenna	COM-POWER CORPORATION	AL-130	121014	08/14/2012	(3)
Test Site	ATL	TE01	888001	08/28/2013	(1)

Remark: (1) Calibration period 1 year. (2) Calibration period 2 years. (3) Calibration period 3 years.

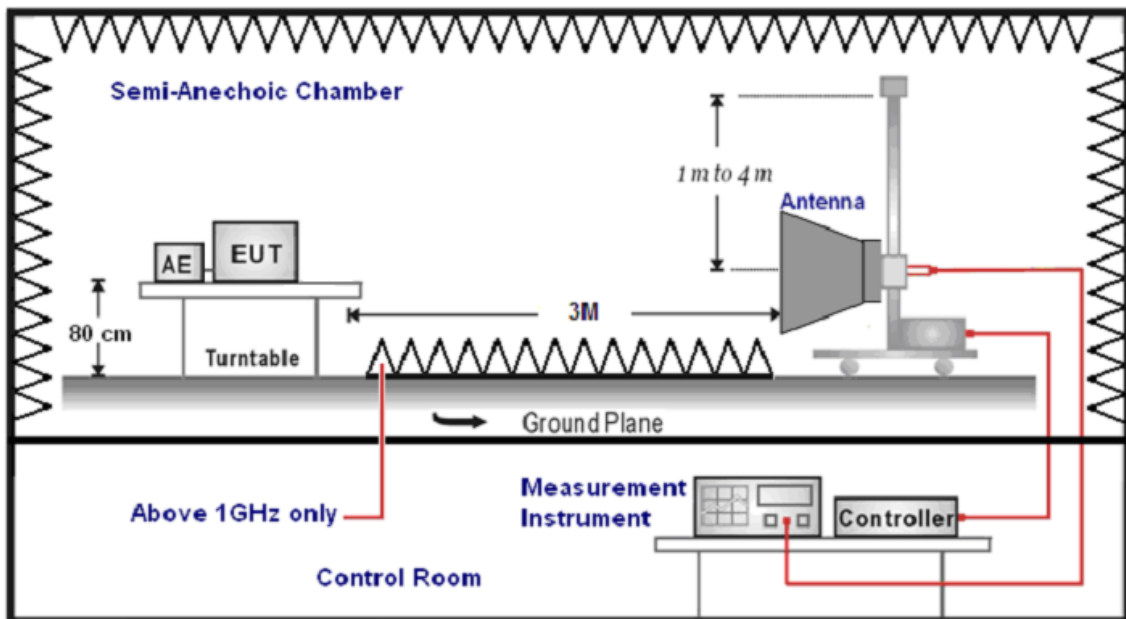
NOTE: N.C.R. = No Calibration Request.

6.3. Setup

Below 1GHz



Above 1GHz



6.4. Test Procedure

Final radiation measurements were made on a three-meter, Semi Anechoic Chamber. The EUT system was placed on a nonconductive turntable which is 0.8 meters height, top surface 1.0 x 1.5 meter. The spectrum was examined from 250 MHz to 2.5 GHz in order to cover the whole spectrum below 10th harmonic which could generate from the EUT. During the test, EUT was set to transmit continuously & Measurements spectrum range from 9 kHz to 26.5 GHz is investigated.

For measurements below 1 GHz the resolution bandwidth is set to 100 kHz for peak detection measurements or 120 kHz for quasi-peak detection measurements. Peak detection is used unless otherwise noted as quasi-peak.

For measurements above 1 GHz the resolution bandwidth is set to 1 MHz, and then the video bandwidth is set to 1 MHz for peak measurements and 10 Hz for average measurements.

A nonconductive material surrounded the EUT to supporting the EUT for standing on three orthogonal planes. At each condition, the EUT was rotated 360 degrees, and the antenna was raised and lowered from one to four meters to find the maximum emission levels. Measurements were taken using both horizontal and vertical antenna polarization.

SCHWARZBECK MESS-ELEKTRONIK Biconilog Antenna (mode VULB9163) at 3 Meter and the SCHWARZBECK Double Ridged Guide Antenna (model BBHA9120D&9170) was used in frequencies 1 – 26.5 GHz at a distance of 1 meter. All test results were extrapolated to equivalent signal at 3 meters utilizing an inverse linear distance extrapolation Factor (20dB/decade).

For testing above 1GHz, the emission level of the EUT in peak mode was 20dB lower than average limit (that means the emission level in peak mode also complies with the limit in average mode), then testing will be stopped and peak values of EUT will be reported, otherwise, the emissions will be measured in average mode again and reported.

Appropriate preamplifiers were used for improving sensitivity and precautions were taken to avoid overloading or desensitizing the spectrum analyzer. No post – detector video filters were used in the test.

The spectrum analyzer's 6 dB bandwidth was set to 1 MHz, and the analyzer was operated in the peak detection mode, for frequencies both below and up 1 GHz. The average levels were obtained by subtracting the duty cycle correction factor from the peak readings.

The following procedures were used to convert the emission levels measured in decibels referenced to 1 microvolt (dBuV) into field intensity in micro volts per meter (uV/m).

The actual field intensity in decibels referenced to 1 microvolt in to field intensity in micro volts per meter (dBuV/m).

The actual field intensity in decibels referenced to 1 microvolt per meter (dBuV/m) is determined by algebraically adding the measured reading in dBuV, the antenna factor (dB), and cable loss (dB) and Subtracting the gain of preamplifier (dB) is auto calculate in spectrum analyzer.

$$(1) \text{ Amplitude (dBuV/m) = FI (dBuV) + AF (dBuV) + CL (dBuV) - Gain (dB)}$$

FI= Reading of the field intensity.

AF= Antenna factor.

CL= Cable loss.

P.S Amplitude is auto calculate in spectrum analyzer.

$$(2) \text{ Actual Amplitude (dBuV/m) = Amplitude (dBuV) - Dis(dB)}$$

The FCC specified emission limits were calculated according the EUT operating frequency and by following linear interpolation equations:

(a) For fundamental frequency : Transmitter Output < +30dBm

(b) For spurious frequency : Spurious emission limits = fundamental emission limit /10

Data of measurement within this frequency range without mark in the table above means the reading of emissions are attenuated more than 20dB below the permissible limits or the field strength is too small to be measured.

6.5. Test Result

Below 1GHz

Standard:	FCC Part 15C	Test Distance:	3m
Test item:	Radiated Emission	Power:	DC 3.7V
Model Number:	MCT02A	Temp.(°C)/Hum.(%RH):	26(°C)/60%RH
Mode:	Mode 1	Date:	07/25/2014
		Test By:	Eric Ou Yang

Frequency (MHz)	Reading (dBuV)	Correct Factor (dB/m)	Result (dBuV/m)	Limit (dBuV/m)	Margin (dB)	Remark	Ant.Polar. H / V
167.0000	41.84	-12.03	29.81	43.50	-13.69	QP	H
209.0000	48.92	-14.11	34.81	43.50	-8.69	QP	H
264.0000	45.81	-11.55	34.26	46.00	-11.74	QP	H
376.5000	45.86	-8.73	37.13	46.00	-8.87	QP	H
452.5000	40.52	-6.97	33.55	46.00	-12.45	QP	H
774.0000	28.78	-0.75	28.03	46.00	-17.97	QP	H
136.5000	37.84	-12.64	25.20	43.50	-18.30	QP	V
206.5000	49.44	-14.18	35.26	43.50	-8.24	QP	V
372.0000	38.61	-8.84	29.77	46.00	-16.23	QP	V
452.0000	44.65	-6.98	37.67	46.00	-8.33	QP	V
665.5000	28.40	-3.00	25.40	46.00	-20.60	QP	V
876.0000	26.42	1.07	27.49	46.00	-18.51	QP	V

Note: No emission found between lowest internal used/generated frequencies to 30MHz (9 kHz~30MHz).

Above 1GHz

Standard:	FCC Part 15C	Test Distance:	3m
Test item:	Radiated Emission	Power:	DC 3.7V
Model Number:	MCT02A	Temp.(°C)/Hum.(%RH):	26(°C)/60%RH
Mode:	Mode 2	Date:	07/26/2014
Frequency:	2402 MHz	Test By:	Eric Ou Yang

Frequency (MHz)	Reading (dBuV)	Correct Factor (dB/m)	Result (dBuV/m)	Limit (dBuV/m)	Margin (dB)	Remark	Ant.Polar. H / V
3030.000	37.85	-0.11	37.74	74.00	-36.26	peak	H
4598.000	34.50	4.45	38.95	74.00	-35.05	peak	H
6677.000	34.13	9.97	44.10	74.00	-29.90	peak	H
3002.000	36.34	-0.20	36.14	74.00	-37.86	peak	V
4619.000	33.62	4.51	38.13	74.00	-35.87	peak	V
6698.000	33.65	10.03	43.68	74.00	-30.32	peak	V

Standard:	FCC Part 15C	Test Distance:	3m
Test item:	Radiated Emission	Power:	DC 3.7V
Model Number:	MCT02A	Temp.(°C)/Hum.(%RH):	26(°C)/60%RH
Mode:	Mode 2	Date:	07/26/2014
Frequency:	2441 MHz	Test By:	Eric Ou Yang

Frequency (MHz)	Reading (dBuV)	Correct Factor (dB/m)	Result (dBuV/m)	Limit (dBuV/m)	Margin (dB)	Remark	Ant.Polar. H / V
3009.000	38.01	-0.17	37.84	74.00	-36.16	peak	H
4591.000	34.58	4.43	39.01	74.00	-34.99	peak	H
6698.000	33.54	10.03	43.57	74.00	-30.43	peak	H
3009.000	36.90	-0.17	36.73	74.00	-37.27	peak	V
4605.000	33.05	4.47	37.52	74.00	-36.48	peak	V
6691.000	33.36	10.01	43.37	74.00	-30.63	peak	V

Standard:	FCC Part 15C	Test Distance:	3m
Test item:	Radiated Emission	Power:	DC 3.7V
Model Number:	MCT02A	Temp.(°C)/Hum.(%RH):	26(°C)/60%RH
Mode:	Mode 2	Date:	07/26/2014
Frequency:	2480 MHz	Test By:	Eric Ou Yang

Frequency (MHz)	Reading (dBuV)	Correct Factor (dB/m)	Result (dBuV/m)	Limit (dBuV/m)	Margin (dB)	Remark	Ant.Polar. H / V
3030.000	36.50	-0.11	36.39	74.00	-37.61	peak	H
4549.000	33.51	4.33	37.84	74.00	-36.16	peak	H
6733.000	33.25	10.13	43.38	74.00	-30.62	peak	H
3037.000	36.90	-0.10	36.80	74.00	-37.20	peak	V
4619.000	33.95	4.51	38.46	74.00	-35.54	peak	V
6677.000	34.68	9.97	44.65	74.00	-29.35	peak	V

Standard:	FCC Part 15C	Test Distance:	3m
Test item:	Radiated Emission	Power:	DC 3.7V
Model Number:	MCT02A	Temp.(°C)/Hum.(%RH):	26(°C)/60%RH
Mode:	Mode 4	Date:	07/26/2014
Frequency:	2402 MHz	Test By:	Eric Ou Yang

Frequency (MHz)	Reading (dBuV)	Correct Factor (dB/m)	Result (dBuV/m)	Limit (dBuV/m)	Margin (dB)	Remark	Ant.Polar. H / V
3023.000	36.58	-0.14	36.44	74.00	-37.56	peak	H
4577.000	34.52	4.39	38.91	74.00	-35.09	peak	H
6747.000	33.82	10.16	43.98	74.00	-30.02	peak	H
3023.000	36.82	-0.14	36.68	74.00	-37.32	peak	V
4605.000	33.27	4.47	37.74	74.00	-36.26	peak	V
6691.000	33.24	10.01	43.25	74.00	-30.75	peak	V

Standard:	FCC Part 15C	Test Distance:	3m
Test item:	Radiated Emission	Power:	DC 3.7V
Model Number:	MCT02A	Temp.(°C)/Hum.(%RH):	26(°C)/60%RH
Mode:	Mode 4	Date:	07/26/2014
Frequency:	2441 MHz	Test By:	Eric Ou Yang

Frequency (MHz)	Reading (dBuV)	Correct Factor (dB/m)	Result (dBuV/m)	Limit (dBuV/m)	Margin (dB)	Remark	Ant.Polar. H / V
3002.000	37.05	-0.20	36.85	74.00	-37.15	peak	H
4605.000	34.50	4.47	38.97	74.00	-35.03	peak	H
6677.000	33.36	9.97	43.33	74.00	-30.67	peak	H
3023.000	36.88	-0.14	36.74	74.00	-37.26	peak	V
4591.000	34.52	4.43	38.95	74.00	-35.05	peak	V
6719.000	33.87	10.09	43.96	74.00	-30.04	peak	V

Standard:	FCC Part 15C	Test Distance:	3m
Test item:	Radiated Emission	Power:	DC 3.7V
Model Number:	MCT02A	Temp.(°C)/Hum.(%RH):	26(°C)/60%RH
Mode:	Mode 4	Date:	07/26/2014
Frequency:	2480 MHz	Test By:	Eric Ou Yang

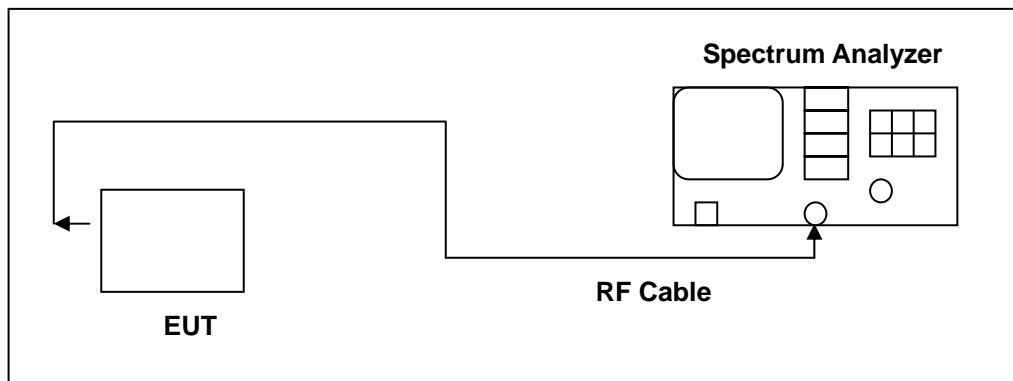
Frequency (MHz)	Reading (dBuV)	Correct Factor (dB/m)	Result (dBuV/m)	Limit (dBuV/m)	Margin (dB)	Remark	Ant.Polar. H / V
2981.000	36.59	-0.25	36.34	74.00	-37.66	peak	H
4598.000	33.13	4.45	37.58	74.00	-36.42	peak	H
6698.000	33.48	10.03	43.51	74.00	-30.49	peak	H
3009.000	36.10	-0.17	35.93	74.00	-38.07	peak	V
4633.000	34.34	4.54	38.88	74.00	-35.12	peak	V
6726.000	34.06	10.10	44.16	74.00	-29.84	peak	V

7 20dB RF Bandwidth and 99 % Occupied Bandwidth Measurement

7.1. Limit

N/A

7.2. Test Setup



7.3. Test Instruments

Equipment	Manufacturer	Model Number	Serial Number	Cal. Date	Remark
Spectrum Analyzer	Agilent	E4445A	MY45300744	12/18/2013	(1)
Test Site	ATL	TE02	TE02	N.C.R.	-----

Remark: (1) Calibration period 1 year. (2) Calibration period 2 years.

NOTE: N.C.R. = No Calibration Request.

7.4. Test Procedure

20dB RF Bandwidth

Testing must be done according to this procedure, FCC Public Notice DA 00-705 - Filing and Measurement Guidelines for Frequency Hopping Spread Spectrum Systems. This is the only method recognized by the FCC. The RF output port of the Equipment-Under-Test is directly coupled to the input of the EMC analyzer through a specialized RF connector and a 10dB passive attenuator. A fully charged battery was used for the supply voltage. The Bluetooth frequency hopping function of the EUT was enabled. The spectrum analyzer used the following settings:

1. Span = approx. 2 to 3 times the 20dB bandwidth, centered on a hopping frequency
2. RBW \geq 1% of the 20dB span
3. VBW \geq RBW
4. Sweep = auto
5. Detector function = peak
6. Trace = max hold

The trace was allowed to stabilize. The EUT was transmitting at its maximum data rate. The marker-to-peak function was used to set the marker to the peak of the emission. The marker-delta function was used to measure 20dB down one side of the emission. The marker-delta function and marker was moved to the other side of the emission until it was even with the reference marker. The marker-delta reading at this point was the 20dB bandwidth of the emission.

99 % Occupied Bandwidth

The transmitter shall be operated at its maximum carrier power measured under normal test conditions.

The span of the analyzer shall be set to capture all products of the modulation process, including the emission skirts.

The resolution bandwidth shall be set to as close to 1% of the selected span as is possible without being below 1%.

The video bandwidth shall be set to 3 times the resolution bandwidth. Video averaging is not permitted. Where practical, a sampling detector shall be used since a peak or, peak hold, may produce a wider bandwidth than actual.

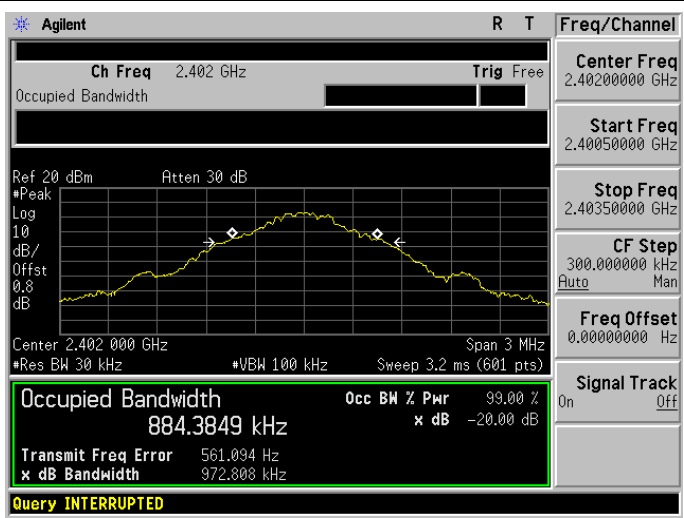

The trace data points are recovered and are directly summed in linear terms. The recovered amplitude data points, beginning at the lowest frequency, are placed in a running sum until 0.5% of the total is reached and that frequency recorded. The process is repeated for the highest frequency data points. This frequency is recorded.

7.5. Test Result

Model Number	MCT02A		
Test Item	20dB RF Bandwidth and 99 % Occupied Bandwidth		
Test Mode	Mode 2: GFSK Link Mode		
Date of Test	07/26/2014	Test Site	TE02
Frequency (MHz)	20dB RF Bandwidth (MHz)	99 % Occupied Bandwidth (MHz)	Limit (MHz)
2402	0.972	0.884	----
2441	0.963	0.885	----
2480	0.972	0.884	----

Model Number	MCT02A		
Test Item	20dB RF Bandwidth and 99 % Occupied Bandwidth		
Test Mode	Mode 4: 8DPSK Link Mode		
Date of Test	07/26/2014	Test Site	TE02
Frequency (MHz)	20dB RF Bandwidth (MHz)	99 % Occupied Bandwidth (MHz)	Limit (MHz)
2402	1.345	1.215	----
2441	1.343	1.207	----
2480	1.334	1.209	----

7.6. Test Graphs

Mode 2: GFSK Link Mode	
2402	 <p>Agilent R T Freq/Channel</p> <p>Ch Freq 2.402 GHz Trig Free</p> <p>Center Freq 2.4020000 GHz</p> <p>Start Freq 2.4005000 GHz</p> <p>Stop Freq 2.4035000 GHz</p> <p>CF Step 300.000000 kHz Auto Man</p> <p>Freq Offset 0.0000000 Hz</p> <p>Signal Track On Off</p> <p>Ref 20 dBm Atten 30 dB</p> <p>#Peak</p> <p>Log</p> <p>10 dB/</p> <p>Offst 0.8 dB</p> <p>Center 2.402 000 GHz Span 3 MHz</p> <p>#Res BW 30 kHz #VBW 100 kHz Sweep 3.2 ms (601 pts)</p> <p>Occupied Bandwidth Occ BW % Pwr 99.00 %</p> <p>884.3849 kHz x dB -20.00 dB</p> <p>Transmit Freq Error 561.094 Hz</p> <p>x dB Bandwidth 972.808 kHz</p> <p>Query INTERRUPTED</p>
2441	 <p>Agilent T Freq/Channel</p> <p>Ch Freq 2.441 GHz Trig Free</p> <p>Center Freq 2.4410000 GHz</p> <p>Start Freq 2.4395000 GHz</p> <p>Stop Freq 2.4425000 GHz</p> <p>CF Step 300.000000 kHz Auto Man</p> <p>Freq Offset 0.0000000 Hz</p> <p>Signal Track On Off</p> <p>Ref 20 dBm Atten 30 dB</p> <p>#Peak</p> <p>Log</p> <p>10 dB/</p> <p>Offst 0.8 dB</p> <p>Center 2.441 000 GHz Span 3 MHz</p> <p>#Res BW 30 kHz #VBW 100 kHz Sweep 3.2 ms (601 pts)</p> <p>Occupied Bandwidth Occ BW % Pwr 99.00 %</p> <p>884.5286 kHz x dB -20.00 dB</p> <p>Transmit Freq Error -6.941 kHz</p> <p>x dB Bandwidth 963.138 kHz</p> <p>Copyright 2000-2005 Agilent Technologies</p>
2480	 <p>Agilent T Freq/Channel</p> <p>Ch Freq 2.48 GHz Trig Free</p> <p>Center Freq 2.4800000 GHz</p> <p>Start Freq 2.4785000 GHz</p> <p>Stop Freq 2.4815000 GHz</p> <p>CF Step 300.000000 kHz Auto Man</p> <p>Freq Offset 0.0000000 Hz</p> <p>Signal Track On Off</p> <p>Ref 20 dBm Atten 30 dB</p> <p>#Peak</p> <p>Log</p> <p>10 dB/</p> <p>Offst 0.8 dB</p> <p>Center 2.480 000 GHz Span 3 MHz</p> <p>#Res BW 30 kHz #VBW 100 kHz Sweep 3.2 ms (601 pts)</p> <p>Occupied Bandwidth Occ BW % Pwr 99.00 %</p> <p>884.4331 kHz x dB -20.00 dB</p> <p>Transmit Freq Error -15.107 kHz</p> <p>x dB Bandwidth 972.469 kHz</p> <p>Copyright 2000-2005 Agilent Technologies</p>

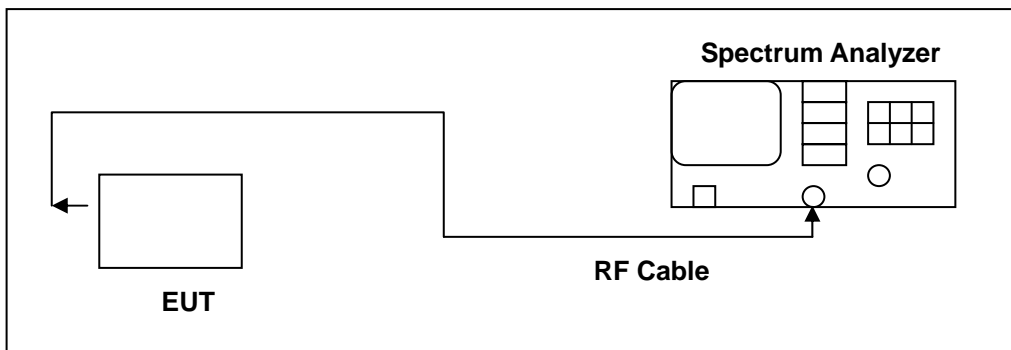
Mode 4: 8DPSK Link Mode	
2402	<p>Agilent T Freq/Channel</p> <p>Ch Freq 2.402 GHz Trig Free</p> <p>Center Freq 2.40200000 GHz</p> <p>Start Freq 2.40050000 GHz</p> <p>Stop Freq 2.40350000 GHz</p> <p>CF Step 300.000000 kHz Auto Man</p> <p>Freq Offset 0.00000000 Hz</p> <p>Signal Track On Off</p> <p>Ref 20 dBm Atten 30 dB</p> <p>#Peak Log</p> <p>10 dB/Offst 0.8 dB</p> <p>Center 2.402 000 GHz Span 3 MHz</p> <p>#Res BW 30 kHz #VBW 100 kHz Sweep 3.2 ms (601 pts)</p> <p>Occupied Bandwidth 1.2147 MHz</p> <p>Occ BW % Pwr 99.00 %</p> <p>x dB -20.00 dB</p> <p>Transmit Freq Error -6.374 kHz</p> <p>x dB Bandwidth 1.345 MHz</p> <p>Copyright 2000-2005 Agilent Technologies</p>
2441	<p>Agilent T Freq/Channel</p> <p>Ch Freq 2.441 GHz Trig Free</p> <p>Center Freq 2.44100000 GHz</p> <p>Start Freq 2.43950000 GHz</p> <p>Stop Freq 2.44250000 GHz</p> <p>CF Step 300.000000 kHz Auto Man</p> <p>Freq Offset 0.00000000 Hz</p> <p>Signal Track On Off</p> <p>Ref 20 dBm Atten 30 dB</p> <p>#Peak Log</p> <p>10 dB/Offst 0.8 dB</p> <p>Center 2.441 000 GHz Span 3 MHz</p> <p>#Res BW 30 kHz #VBW 100 kHz Sweep 3.2 ms (601 pts)</p> <p>Occupied Bandwidth 1.2072 MHz</p> <p>Occ BW % Pwr 99.00 %</p> <p>x dB -20.00 dB</p> <p>Transmit Freq Error -9.436 kHz</p> <p>x dB Bandwidth 1.343 MHz</p> <p>Copyright 2000-2005 Agilent Technologies</p>
2480	<p>Agilent T Freq/Channel</p> <p>Ch Freq 2.48 GHz Trig Free</p> <p>Center Freq 2.48000000 GHz</p> <p>Start Freq 2.47850000 GHz</p> <p>Stop Freq 2.48150000 GHz</p> <p>CF Step 300.000000 kHz Auto Man</p> <p>Freq Offset 0.00000000 Hz</p> <p>Signal Track On Off</p> <p>Ref 20 dBm Atten 30 dB</p> <p>#Peak Log</p> <p>10 dB/Offst 0.8 dB</p> <p>Center 2.480 000 GHz Span 3 MHz</p> <p>#Res BW 30 kHz #VBW 100 kHz Sweep 3.2 ms (601 pts)</p> <p>Occupied Bandwidth 1.2093 MHz</p> <p>Occ BW % Pwr 99.00 %</p> <p>x dB -20.00 dB</p> <p>Transmit Freq Error -20.809 kHz</p> <p>x dB Bandwidth 1.334 MHz</p> <p>Copyright 2000-2005 Agilent Technologies</p>

8 Carrier Frequency Separation Measurement

8.1. Limit

Title 47 of the CFR, Part 15 Subpart (c) 15.247(a)(1) requires the measurement of the bandwidth of the transmission between the -20 dB points on the transmitted spectrum. The results of this test determine the limits for channel spacing. The channel spacing shall be a minimum of 25 kHz or the 20 dB bandwidth.

8.2. Test Setup



8.3. Test Instruments

Equipment	Manufacturer	Model Number	Serial Number	Cal. Date	Remark
Spectrum Analyzer	Agilent	E4445A	MY45300744	12/18/2013	(1)
Test Site	ATL	TE02	TE02	N.C.R.	-----

Remark: (1) Calibration period 1 year. (2) Calibration period 2 years.

NOTE: N.C.R. = No Calibration Request.

8.4. Test Procedure

Testing must be done according to this procedure, FCC Public Notice DA 00-705 - Filing and Measurement Guidelines for Frequency Hopping Spread Spectrum Systems. This is the only method recognized by the FCC. The RF output port of the Equipment-Under-Test is directly coupled to the input of the EMC analyzer through a specialized RF connector and a 10dB passive attenuator. A fully charged battery was used for the supply voltage. The Bluetooth transmitter of the V6 had its hopping function enabled. The following spectrum analyzer settings were used:

1. Span = wide enough to capture the peaks of two adjacent channels
2. Resolution (or IF) Bandwidth (RBW) \geq 1% of the span
3. Video (or Average) Bandwidth (VBW) \geq RBW
4. Sweep = auto
5. Detector function = peak
6. Trace = max hold

The trace was allowed to stabilize. The marker-delta function was used to determine the separation between the peaks of the adjacent channels.

8.5. Test Result

Model Number	MCT02A		
Test Item	Carrier Frequency Separation		
Test Mode	Mode 2: GFSK Link Mode		
Date of Test	07/26/2014	Test Site	TE02
	Frequency (MHz)	Measurement (MHz)	Limit (MHz)
	2402	1	> 0.649
	2441	1	> 0.642
	2480	1	> 0.648

Model Number	MCT02A		
Test Item	Carrier Frequency Separation		
Test Mode	Mode 4: 8DPSK Link Mode		
Date of Test	07/26/2014	Test Site	TE02
	Frequency (MHz)	Measurement (MHz)	Limit (MHz)
	2402	1	> 0.897
	2441	1	> 0.895
	2480	1	> 0.889

8.6. Test Graphs

Mode 2: GFSK Link Mode																					
2402	<p>Agilent T Freq/Channel</p> <p>Ref 20 dBm Atten 30 dB Mkr2 2.403 000 GHz 1.75 dBm</p> <p>#Peak</p> <p>Log</p> <p>10 dB/Offst 0.8 dB</p> <p>LgAv</p> <p>Center 2.403 000 GHz Span 3 MHz</p> <p>#Res BW 30 kHz #VBW 100 kHz Sweep 3.2 ms (601 pts)</p> <table border="1"> <thead> <tr> <th>Marker</th> <th>Trace</th> <th>Type</th> <th>X Axis</th> <th>Amplitude</th> </tr> </thead> <tbody> <tr> <td>1</td> <td>(1)</td> <td>Freq</td> <td>2.402 000 GHz</td> <td>1.70 dBm</td> </tr> <tr> <td>2</td> <td>(1)</td> <td>Freq</td> <td>2.403 000 GHz</td> <td>1.75 dBm</td> </tr> <tr> <td>3</td> <td>(1)</td> <td>Freq</td> <td>2.404 000 GHz</td> <td>1.70 dBm</td> </tr> </tbody> </table> <p>Copyright 2000-2005 Agilent Technologies</p> <p>Freq/Channel</p> <p>Center Freq 2.40300000 GHz</p> <p>Start Freq 2.40150000 GHz</p> <p>Stop Freq 2.40450000 GHz</p> <p>CF Step 300.000000 kHz Auto Man</p> <p>Freq Offset 0.00000000 Hz</p> <p>Signal Track On Off</p>	Marker	Trace	Type	X Axis	Amplitude	1	(1)	Freq	2.402 000 GHz	1.70 dBm	2	(1)	Freq	2.403 000 GHz	1.75 dBm	3	(1)	Freq	2.404 000 GHz	1.70 dBm
Marker	Trace	Type	X Axis	Amplitude																	
1	(1)	Freq	2.402 000 GHz	1.70 dBm																	
2	(1)	Freq	2.403 000 GHz	1.75 dBm																	
3	(1)	Freq	2.404 000 GHz	1.70 dBm																	
2441	<p>Agilent T Freq/Channel</p> <p>Ref 20 dBm Atten 30 dB Mkr1 2.440 000 GHz 1.31 dBm</p> <p>#Peak</p> <p>Log</p> <p>10 dB/Offst 0.8 dB</p> <p>LgAv</p> <p>Center 2.441 000 GHz Span 3 MHz</p> <p>#Res BW 30 kHz #VBW 100 kHz Sweep 3.2 ms (601 pts)</p> <table border="1"> <thead> <tr> <th>Marker</th> <th>Trace</th> <th>Type</th> <th>X Axis</th> <th>Amplitude</th> </tr> </thead> <tbody> <tr> <td>1</td> <td>(1)</td> <td>Freq</td> <td>2.440 000 GHz</td> <td>1.31 dBm</td> </tr> <tr> <td>2</td> <td>(1)</td> <td>Freq</td> <td>2.441 000 GHz</td> <td>1.53 dBm</td> </tr> <tr> <td>3</td> <td>(1)</td> <td>Freq</td> <td>2.442 000 GHz</td> <td>1.35 dBm</td> </tr> </tbody> </table> <p>Copyright 2000-2005 Agilent Technologies</p> <p>Freq/Channel</p> <p>Center Freq 2.44100000 GHz</p> <p>Start Freq 2.43950000 GHz</p> <p>Stop Freq 2.44250000 GHz</p> <p>CF Step 300.000000 kHz Auto Man</p> <p>Freq Offset 0.00000000 Hz</p> <p>Signal Track On Off</p>	Marker	Trace	Type	X Axis	Amplitude	1	(1)	Freq	2.440 000 GHz	1.31 dBm	2	(1)	Freq	2.441 000 GHz	1.53 dBm	3	(1)	Freq	2.442 000 GHz	1.35 dBm
Marker	Trace	Type	X Axis	Amplitude																	
1	(1)	Freq	2.440 000 GHz	1.31 dBm																	
2	(1)	Freq	2.441 000 GHz	1.53 dBm																	
3	(1)	Freq	2.442 000 GHz	1.35 dBm																	
2480	<p>Agilent T Freq/Channel</p> <p>Ref 20 dBm Atten 30 dB Mkr1 2.478 000 GHz 0.34 dBm</p> <p>#Peak</p> <p>Log</p> <p>10 dB/Offst 0.8 dB</p> <p>LgAv</p> <p>Center 2.479 000 GHz Span 3 MHz</p> <p>#Res BW 30 kHz #VBW 100 kHz Sweep 3.2 ms (601 pts)</p> <table border="1"> <thead> <tr> <th>Marker</th> <th>Trace</th> <th>Type</th> <th>X Axis</th> <th>Amplitude</th> </tr> </thead> <tbody> <tr> <td>1</td> <td>(1)</td> <td>Freq</td> <td>2.478 000 GHz</td> <td>0.34 dBm</td> </tr> <tr> <td>2</td> <td>(1)</td> <td>Freq</td> <td>2.479 000 GHz</td> <td>0.34 dBm</td> </tr> <tr> <td>3</td> <td>(1)</td> <td>Freq</td> <td>2.480 000 GHz</td> <td>0.22 dBm</td> </tr> </tbody> </table> <p>Copyright 2000-2005 Agilent Technologies</p> <p>Freq/Channel</p> <p>Center Freq 2.47900000 GHz</p> <p>Start Freq 2.47750000 GHz</p> <p>Stop Freq 2.48050000 GHz</p> <p>CF Step 300.000000 kHz Auto Man</p> <p>Freq Offset 0.00000000 Hz</p> <p>Signal Track On Off</p>	Marker	Trace	Type	X Axis	Amplitude	1	(1)	Freq	2.478 000 GHz	0.34 dBm	2	(1)	Freq	2.479 000 GHz	0.34 dBm	3	(1)	Freq	2.480 000 GHz	0.22 dBm
Marker	Trace	Type	X Axis	Amplitude																	
1	(1)	Freq	2.478 000 GHz	0.34 dBm																	
2	(1)	Freq	2.479 000 GHz	0.34 dBm																	
3	(1)	Freq	2.480 000 GHz	0.22 dBm																	

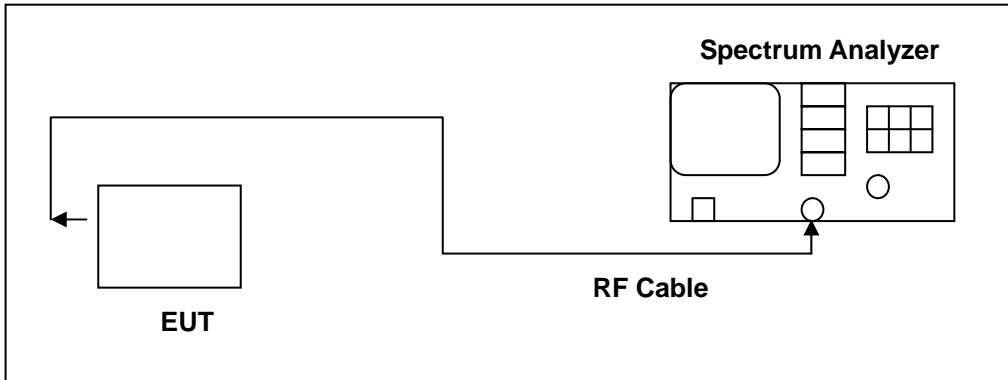
Mode 4: 8DPSK Link Mode																					
2402	<p>Agilent T Freq/Channel</p> <p>Ref 20 dBm Atten 30 dB Mkr2 2.403 000 GHz -2.79 dBm</p> <p>#Peak</p> <p>Log 10 dB/Offst 0.8 dB</p> <p>LgAv</p> <p>Center 2.403 000 GHz Span 3 MHz</p> <p>#Res BW 30 kHz #VBW 100 kHz Sweep 3.2 ms (601 pts)</p> <table border="1"> <thead> <tr> <th>Marker</th> <th>Trace</th> <th>Type</th> <th>X Axis</th> <th>Amplitude</th> </tr> </thead> <tbody> <tr> <td>1</td> <td>(1)</td> <td>Freq</td> <td>2.402 000 GHz</td> <td>-2.83 dBm</td> </tr> <tr> <td>2</td> <td>(1)</td> <td>Freq</td> <td>2.403 000 GHz</td> <td>-2.79 dBm</td> </tr> <tr> <td>3</td> <td>(1)</td> <td>Freq</td> <td>2.404 000 GHz</td> <td>-2.85 dBm</td> </tr> </tbody> </table> <p>Copyright 2000-2005 Agilent Technologies</p> <p>Center Freq 2.40300000 GHz</p> <p>Start Freq 2.40150000 GHz</p> <p>Stop Freq 2.40450000 GHz</p> <p>CF Step 300.000000 kHz Auto Man</p> <p>Freq Offset 0.00000000 Hz</p> <p>Signal Track On Off</p>	Marker	Trace	Type	X Axis	Amplitude	1	(1)	Freq	2.402 000 GHz	-2.83 dBm	2	(1)	Freq	2.403 000 GHz	-2.79 dBm	3	(1)	Freq	2.404 000 GHz	-2.85 dBm
Marker	Trace	Type	X Axis	Amplitude																	
1	(1)	Freq	2.402 000 GHz	-2.83 dBm																	
2	(1)	Freq	2.403 000 GHz	-2.79 dBm																	
3	(1)	Freq	2.404 000 GHz	-2.85 dBm																	
2441	<p>Agilent R T Freq/Channel</p> <p>Ref 20 dBm Atten 30 dB Mkr1 2.440 000 GHz -3.06 dBm</p> <p>#Peak</p> <p>Log 10 dB/Offst 0.8 dB</p> <p>LgAv</p> <p>Center 2.441 000 GHz Span 3 MHz</p> <p>#Res BW 30 kHz #VBW 100 kHz Sweep 3.2 ms (601 pts)</p> <table border="1"> <thead> <tr> <th>Marker</th> <th>Trace</th> <th>Type</th> <th>X Axis</th> <th>Amplitude</th> </tr> </thead> <tbody> <tr> <td>1</td> <td>(1)</td> <td>Freq</td> <td>2.440 000 GHz</td> <td>-3.06 dBm</td> </tr> <tr> <td>2</td> <td>(1)</td> <td>Freq</td> <td>2.441 000 GHz</td> <td>-3.09 dBm</td> </tr> <tr> <td>3</td> <td>(1)</td> <td>Freq</td> <td>2.442 000 GHz</td> <td>-3.12 dBm</td> </tr> </tbody> </table> <p>Copyright 2000-2005 Agilent Technologies</p> <p>Center Freq 2.44100000 GHz</p> <p>Start Freq 2.43950000 GHz</p> <p>Stop Freq 2.44250000 GHz</p> <p>CF Step 300.000000 kHz Auto Man</p> <p>Freq Offset 0.00000000 Hz</p> <p>Signal Track On Off</p>	Marker	Trace	Type	X Axis	Amplitude	1	(1)	Freq	2.440 000 GHz	-3.06 dBm	2	(1)	Freq	2.441 000 GHz	-3.09 dBm	3	(1)	Freq	2.442 000 GHz	-3.12 dBm
Marker	Trace	Type	X Axis	Amplitude																	
1	(1)	Freq	2.440 000 GHz	-3.06 dBm																	
2	(1)	Freq	2.441 000 GHz	-3.09 dBm																	
3	(1)	Freq	2.442 000 GHz	-3.12 dBm																	
2480	<p>Agilent T Freq/Channel</p> <p>Ref 20 dBm Atten 30 dB Mkr1 2.478 000 GHz -3.99 dBm</p> <p>#Peak</p> <p>Log 10 dB/Offst 0.8 dB</p> <p>LgAv</p> <p>Center 2.479 000 GHz Span 3 MHz</p> <p>#Res BW 30 kHz #VBW 100 kHz Sweep 3.2 ms (601 pts)</p> <table border="1"> <thead> <tr> <th>Marker</th> <th>Trace</th> <th>Type</th> <th>X Axis</th> <th>Amplitude</th> </tr> </thead> <tbody> <tr> <td>1</td> <td>(1)</td> <td>Freq</td> <td>2.478 000 GHz</td> <td>-3.99 dBm</td> </tr> <tr> <td>2</td> <td>(1)</td> <td>Freq</td> <td>2.479 000 GHz</td> <td>-3.99 dBm</td> </tr> <tr> <td>3</td> <td>(1)</td> <td>Freq</td> <td>2.480 000 GHz</td> <td>-3.99 dBm</td> </tr> </tbody> </table> <p>Copyright 2000-2005 Agilent Technologies</p> <p>Center Freq 2.47900000 GHz</p> <p>Start Freq 2.47750000 GHz</p> <p>Stop Freq 2.48050000 GHz</p> <p>CF Step 300.000000 kHz Auto Man</p> <p>Freq Offset 0.00000000 Hz</p> <p>Signal Track On Off</p>	Marker	Trace	Type	X Axis	Amplitude	1	(1)	Freq	2.478 000 GHz	-3.99 dBm	2	(1)	Freq	2.479 000 GHz	-3.99 dBm	3	(1)	Freq	2.480 000 GHz	-3.99 dBm
Marker	Trace	Type	X Axis	Amplitude																	
1	(1)	Freq	2.478 000 GHz	-3.99 dBm																	
2	(1)	Freq	2.479 000 GHz	-3.99 dBm																	
3	(1)	Freq	2.480 000 GHz	-3.99 dBm																	

9 Number of Hopping Measurement

9.1. Limit

Frequency hopping systems in the 2400–2483.5 MHz band shall use at least 15 channels.

9.2. Test Setup



9.3. Test Instruments

Equipment	Manufacturer	Model Number	Serial Number	Cal. Date	Remark
Spectrum Analyzer	Agilent	E4445A	MY45300744	12/18/2013	(1)
Test Site	ATL	TE02	TE02	N.C.R.	-----

Remark: (1) Calibration period 1 year. (2) Calibration period 2 years.

NOTE: N.C.R. = No Calibration Request.

9.4. Test Procedure

Testing must be done according to this procedure, FCC Public Notice DA 00-705 - Filing and Measurement Guidelines for Frequency Hopping Spread Spectrum Systems. This is the only method recognized by the FCC. The RF output port of the Equipment-Under-Test is directly coupled to the input of the EMC analyzer through a specialized RF connector and a 10dB passive attenuator. A fully charged battery was used for the supply voltage. The Bluetooth frequency hopping function of the EUT was enabled. The spectrum analyzer used the following settings:

1. Span = the frequency band of operation
2. RBW \geq 1% of the span
3. VBW \geq RBW
4. Sweep = auto
5. Detector function = peak
6. Trace = max hold

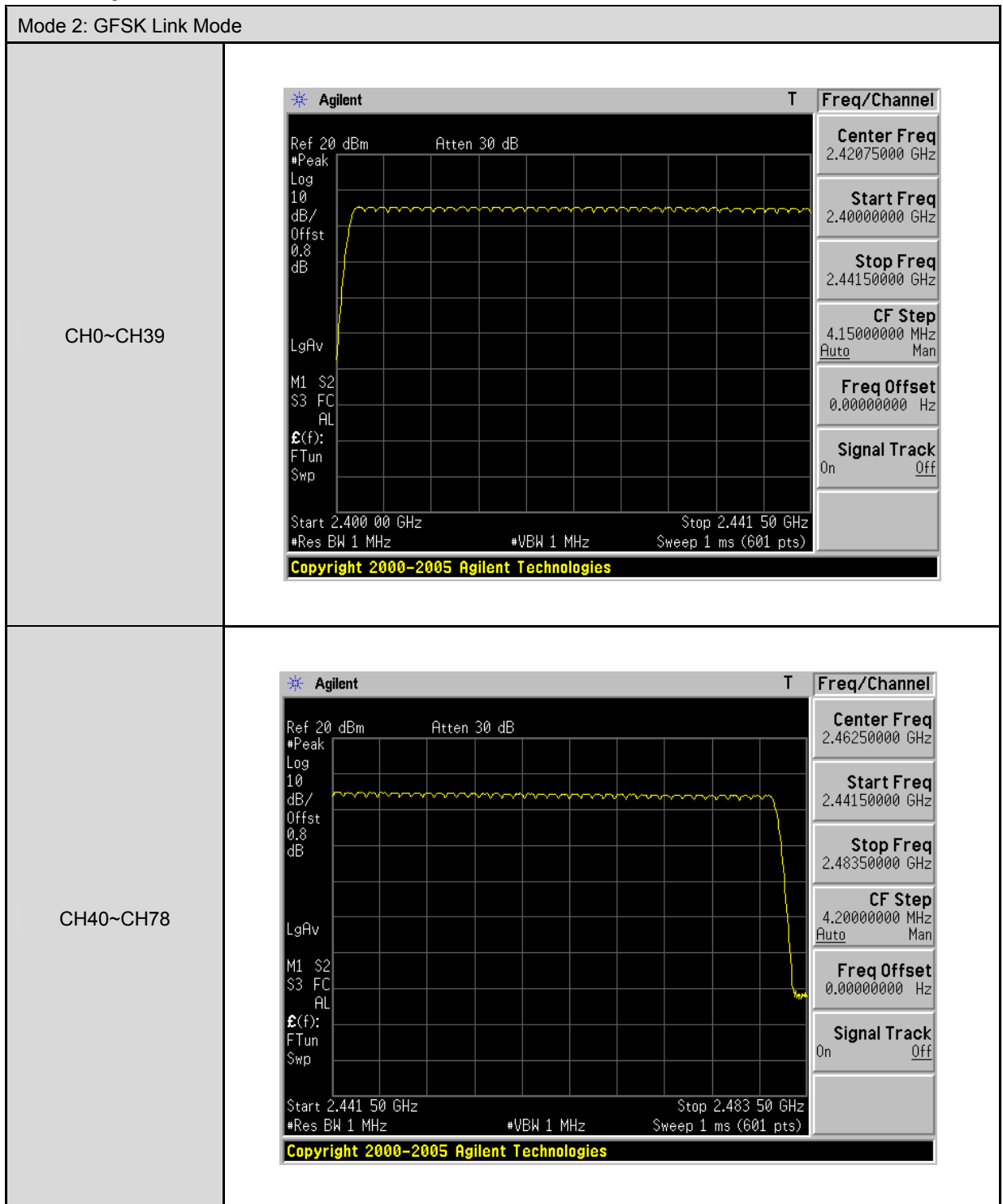
The trace was allowed to stabilize.

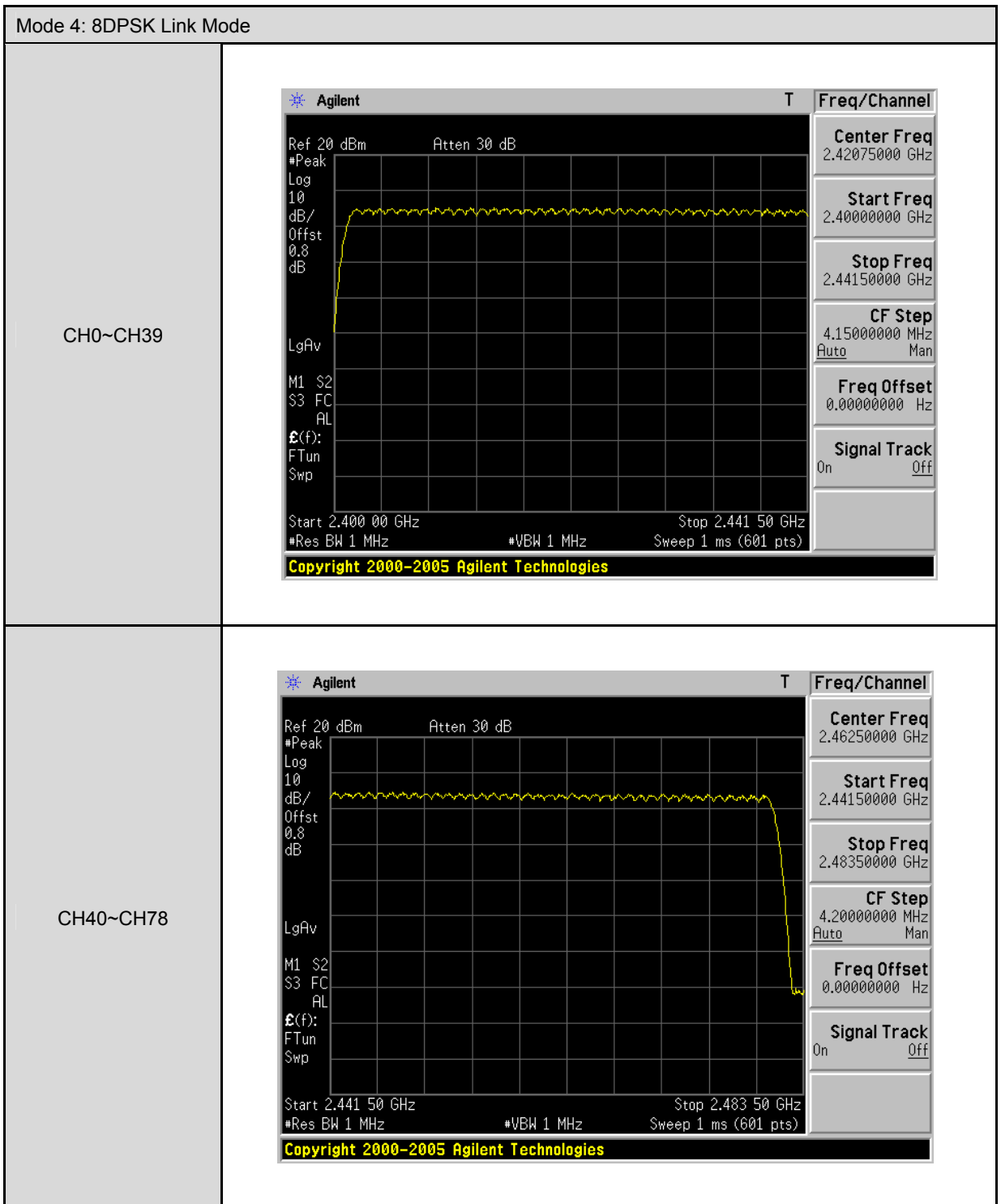
9.5. Test Result

Model Number	MCT02A		
Test Item	Number of Hopping		
Test Mode	Mode 2: GFSK Link Mode		
Date of Test	07/26/2014	Test Site	TE02
Frequency Range (MHz)	Measurement (ch)		Limit (ch)
2402 - 2480	79		> 15

Model Number	MCT02A		
Test Item	Number of Hopping		
Test Mode	Mode 4: 8DPSK Link Mode		
Date of Test	07/26/2014	Test Site	TE02
Frequency Range (MHz)	Measurement (ch)		Limit (ch)
2402 - 2480	79		> 15

9.6. Test Graphs



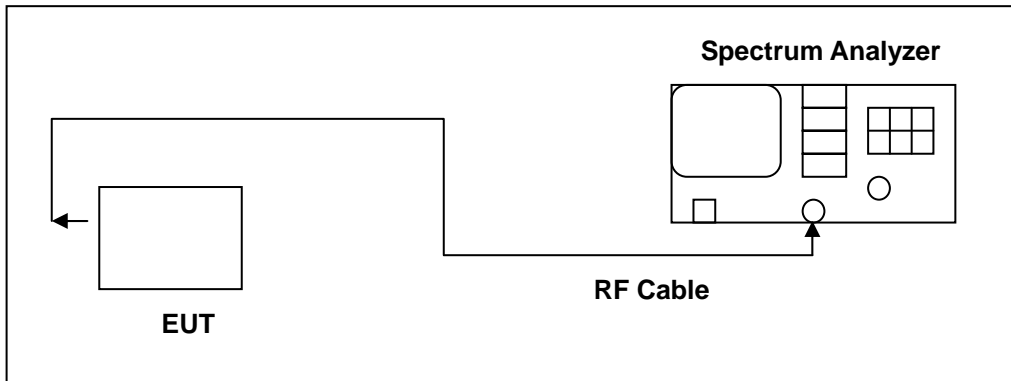


10 Time of Occupancy (Dwell Time) Measurement

10.1. Limit

The average time of occupancy on any channel shall not be greater than 0.4 seconds within a period of 0.4 seconds multiplied by the number of hopping channels employed.

10.2. Test Setup



10.3. Test Instruments

Equipment	Manufacturer	Model Number	Serial Number	Cal. Date	Remark
Spectrum Analyzer	Agilent	E4445A	MY45300744	12/18/2013	(1)
Test Site	ATL	TE02	TE02	N.C.R.	-----

Remark: (1) Calibration period 1 year. (2) Calibration period 2 years.

NOTE: N.C.R. = No Calibration Request.

10.4. Test Procedure

Testing must be done according to this procedure, FCC Public Notice DA 00-705 - Filing and Measurement Guidelines for Frequency Hopping Spread Spectrum Systems. This is the only method recognized by the FCC. The RF output port of the Equipment-Under-Test is directly coupled to the input of the EMC analyzer through a specialized RF connector and a 10dB passive attenuator. A fully charged battery was used for the supply voltage. The Bluetooth hopping function of the EUT was enabled. The following spectrum analyzer settings were used:

1. Span = zero span, centered on a hopping channel
2. RBW = 1 MHz
3. VBW \geq RBW
4. Sweep = as necessary to capture the entire dwell time per hopping channel
5. Detector function = peak
6. Trace = max hold

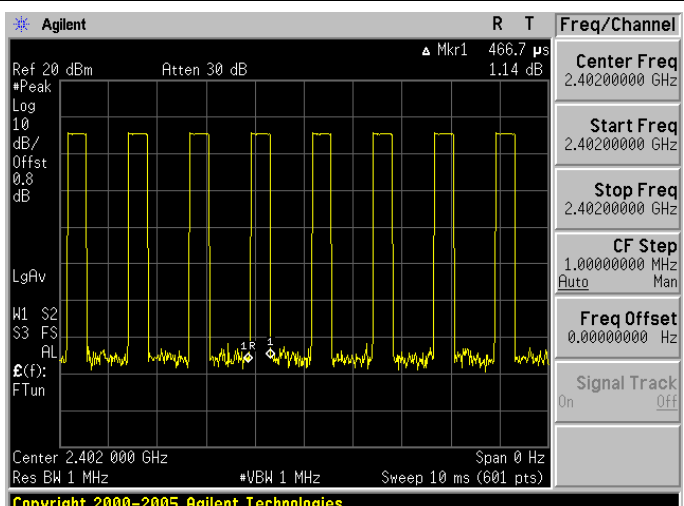
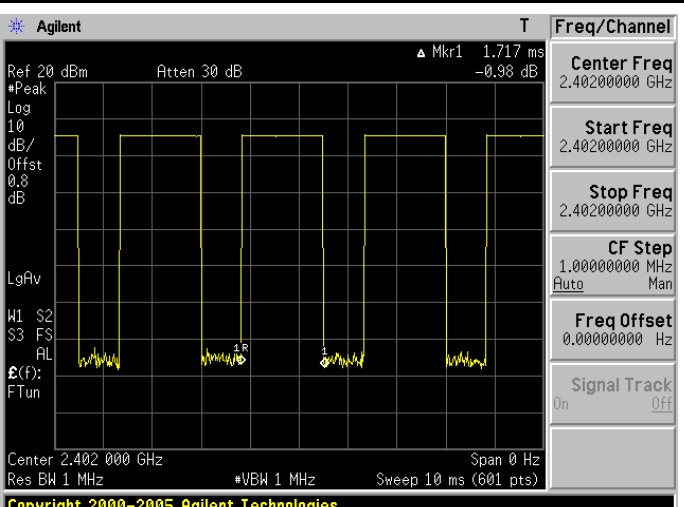
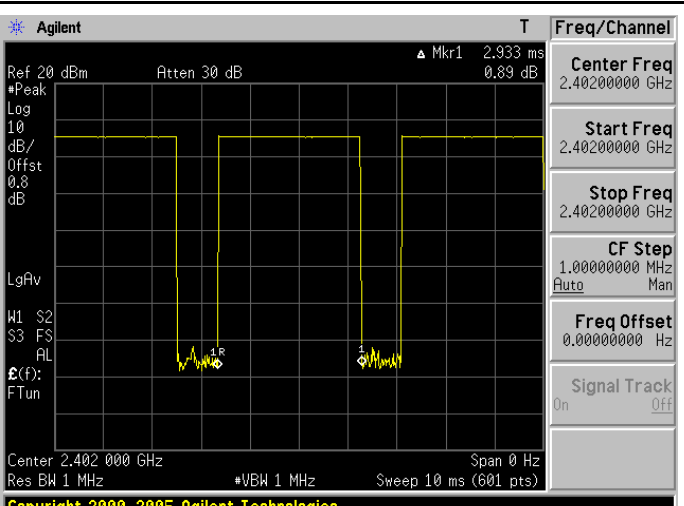
The marker-delta function was used to determine the dwell time.

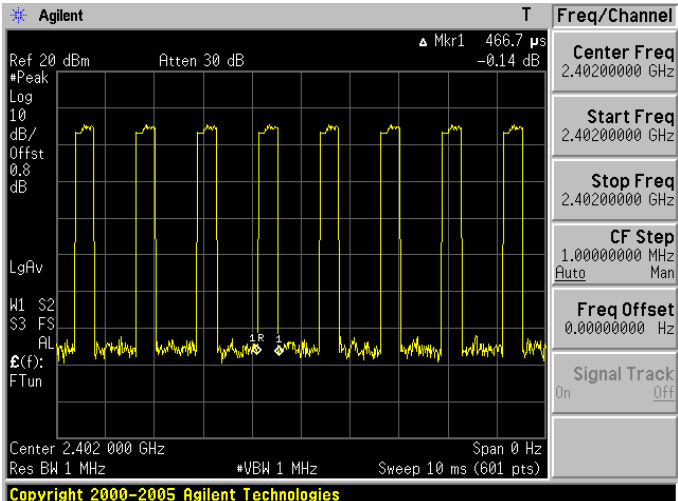
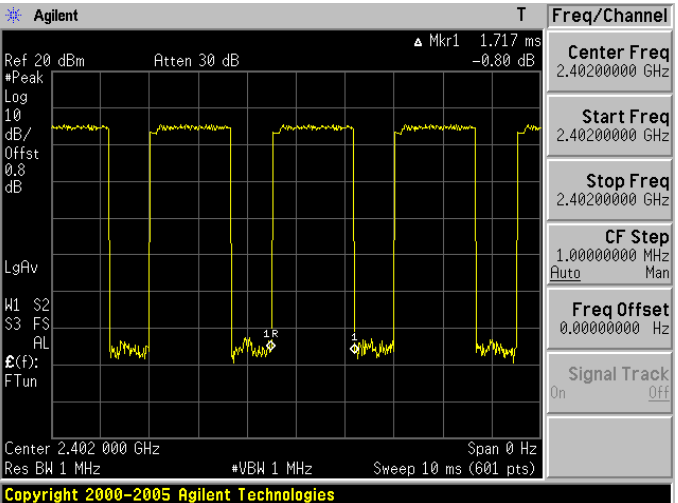
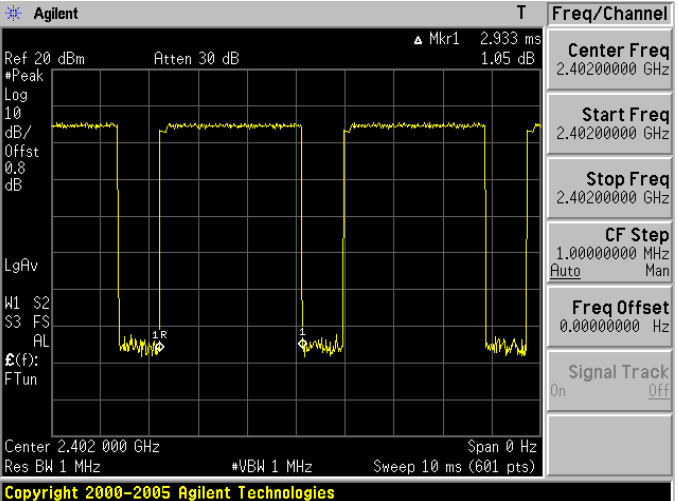
10.5. Test Result

Model Number	MCT02A		
Test Item	Time of Occupancy (Dwell Time)		
Test Mode	Mode 2: GFSK Link Mode		
Date of Test	07/26/2014	Test Site	TE02
DH1			
Cycle Calculate	79CH * 0.4 = 31.6 (sec)		
The EUT Hopping Number per Sec	1600 times/sec		
Each Channel Dwell Times per Sec	800/79CH = 10.13(times/sec)		
Each Channel Dwell Times (1)	0.467	ms (sec)	
Each Channel Dwell Times on Cycle(2)	31.6 * 10.13 = 320.108(times)		
Dwell Times on Cycle (1) * (2)	149.3944	ms (sec)	
LIMIT(msec)	< = 400		
DH3			
Cycle Calculate	79CH * 0.4 = 31.6 (sec)		
The EUT Hopping Number per Sec	1600 times/sec		
Each Channel Dwell Times per Sec	400/79CH = 5.1(times/sec)		
Each Channel Dwell Times (1)	1.717	ms (sec)	
Each Channel Dwell Times on Cycle(2)	31.6 * 5.1 = 161.16(times)		
Dwell Times on Cycle (1) * (2)	276.7117	ms (sec)	
LIMIT(msec)	< = 400		
DH5			
Cycle Calculate	79CH * 0.4 = 31.6 (sec)		
The EUT Hopping Number per Sec	1600 times/sec		
Each Channel Dwell Times per Sec	266.7/79CH = 3.37(times/sec)		
Each Channel Dwell Times (1)	2.933	ms (sec)	
Each Channel Dwell Times on Cycle(2)	31.6 * 3.37 = 106.492(times)		
Dwell Times on Cycle (1) * (2)	312.3410	ms (sec)	
LIMIT(msec)	< = 400		

Model Number	MCT02A		
Test Item	Time of Occupancy (Dwell Time)		
Test Mode	Mode 4: 8DPSK Link Mode		
Date of Test	07/26/2014	Test Site	TE02
3DH1			
Cycle Calculate	79CH * 0.4 = 31.6 (sec)		
The EUT Hopping Number per Sec	1600 times/sec		
Each Channel Dwell Times per Sec	800/79CH = 10.13(times/sec)		
Each Channel Dwell Times (1)	0.467	ms (sec)	
Each Channel Dwell Times on Cycle(2)	31.6 * 10.13 = 320.108(times)		
Dwell Times on Cycle (1) * (2)	149.3944	ms (sec)	
LIMIT(msec)	< = 400		
3DH3			
Cycle Calculate	79CH * 0.4 = 31.6 (sec)		
The EUT Hopping Number per Sec	1600 times/sec		
Each Channel Dwell Times per Sec	400/79CH = 5.1(times/sec)		
Each Channel Dwell Times (1)	1.717	ms (sec)	
Each Channel Dwell Times on Cycle(2)	31.6 * 5.1 = 161.16(times)		
Dwell Times on Cycle (1) * (2)	276.7117	ms (sec)	
LIMIT(msec)	< = 400		
3DH5			
Cycle Calculate	79CH * 0.4 = 31.6 (sec)		
The EUT Hopping Number per Sec	1600 times/sec		
Each Channel Dwell Times per Sec	266.7/79CH = 3.37(times/sec)		
Each Channel Dwell Times (1)	2.933	ms (sec)	
Each Channel Dwell Times on Cycle(2)	31.6 * 3.37 = 106.492(times)		
Dwell Times on Cycle (1) * (2)	312.3410	ms (sec)	
LIMIT(msec)	< = 400		

10.6. Test Graphs

Mode 2: GFSK Link Mode	
DH1	 <p>Agilent R T Freq/Channel Ref 20 dBm Atten 30 dB Δ Mkr1 466.7 μs #Peak 1.14 dB Log 10 dB/ Offst 0.8 dB LgAv W1 S2 S3 FS AL E(f): FTun Center 2.402 000 GHz Span 0 Hz Res BW 1 MHz #VBW 1 MHz Sweep 10 ms (601 pts) Copyright 2000-2005 Agilent Technologies</p> <p>Center Freq 2.40200000 GHz Start Freq 2.40200000 GHz Stop Freq 2.40200000 GHz CF Step 1.00000000 MHz Auto Man Freq Offset 0.00000000 Hz Signal Track On Off</p>
DH3	 <p>Agilent T Freq/Channel Ref 20 dBm Atten 30 dB Δ Mkr1 1.717 ms #Peak -0.98 dB Log 10 dB/ Offst 0.8 dB LgAv W1 S2 S3 FS AL E(f): FTun Center 2.402 000 GHz Span 0 Hz Res BW 1 MHz #VBW 1 MHz Sweep 10 ms (601 pts) Copyright 2000-2005 Agilent Technologies</p> <p>Center Freq 2.40200000 GHz Start Freq 2.40200000 GHz Stop Freq 2.40200000 GHz CF Step 1.00000000 MHz Auto Man Freq Offset 0.00000000 Hz Signal Track On Off</p>
DH5	 <p>Agilent T Freq/Channel Ref 20 dBm Atten 30 dB Δ Mkr1 2.933 ms #Peak 0.89 dB Log 10 dB/ Offst 0.8 dB LgAv W1 S2 S3 FS AL E(f): FTun Center 2.402 000 GHz Span 0 Hz Res BW 1 MHz #VBW 1 MHz Sweep 10 ms (601 pts) Copyright 2000-2005 Agilent Technologies</p> <p>Center Freq 2.40200000 GHz Start Freq 2.40200000 GHz Stop Freq 2.40200000 GHz CF Step 1.00000000 MHz Auto Man Freq Offset 0.00000000 Hz Signal Track On Off</p>

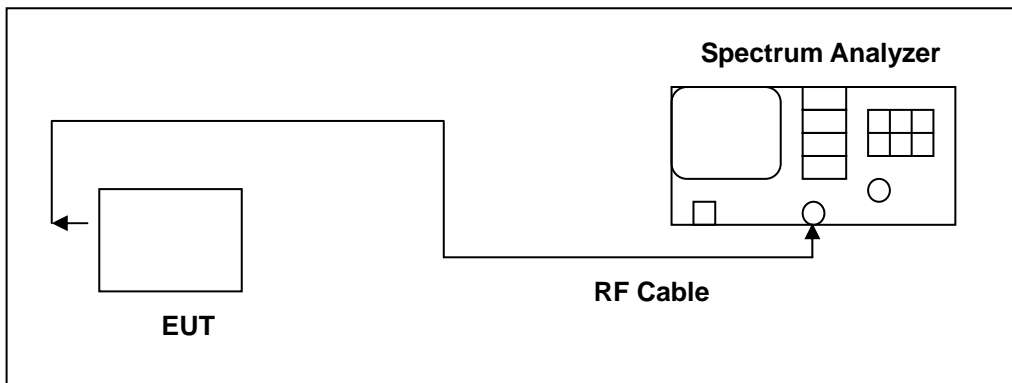
Mode 4: 8DPSK Link Mode	
3DH1	 <p>Agilent T Freq/Channel Ref 20 dBm Atten 30 dB Δ Mkr1 466.7 μs -0.14 dB #Peak Log 10 dB/ Offst 0.8 dB LgAv W1 S2 S3 FS AL E(f): FTun Center 2.402 000 GHz Span 0 Hz Res BW 1 MHz #VBW 1 MHz Sweep 10 ms (601 pts) Copyright 2000-2005 Agilent Technologies</p>
3DH3	 <p>Agilent T Freq/Channel Ref 20 dBm Atten 30 dB Δ Mkr1 1.717 ms -0.80 dB #Peak Log 10 dB/ Offst 0.8 dB LgAv W1 S2 S3 FS AL E(f): FTun Center 2.402 000 GHz Span 0 Hz Res BW 1 MHz #VBW 1 MHz Sweep 10 ms (601 pts) Copyright 2000-2005 Agilent Technologies</p>
3DH5	 <p>Agilent T Freq/Channel Ref 20 dBm Atten 30 dB Δ Mkr1 2.933 ms 1.05 dB #Peak Log 10 dB/ Offst 0.8 dB LgAv W1 S2 S3 FS AL E(f): FTun Center 2.402 000 GHz Span 0 Hz Res BW 1 MHz #VBW 1 MHz Sweep 10 ms (601 pts) Copyright 2000-2005 Agilent Technologies</p>

11 Out of Band Conducted Emissions Measurement

11.1. Limit

In any 100 kHz bandwidth outside the frequency band in which the spread spectrum or digitally modulated intentional radiator is operating, the radio frequency power that is produced by the intentional radiator shall be at least 20 dB below that in the 100 kHz bandwidth within the band that contains the highest level of the desired power

11.2. Test Setup



11.3. Test Instruments

Equipment	Manufacturer	Model Number	Serial Number	Cal. Date	Remark
Spectrum Analyzer	Agilent	E4445A	MY45300744	12/18/2013	(1)
Spectrum Analyzer	Agilent	E4408B	MY45107753	07/11/2013	(1)
Test Site	ATL	TE02	TE02	N.C.R.	-----

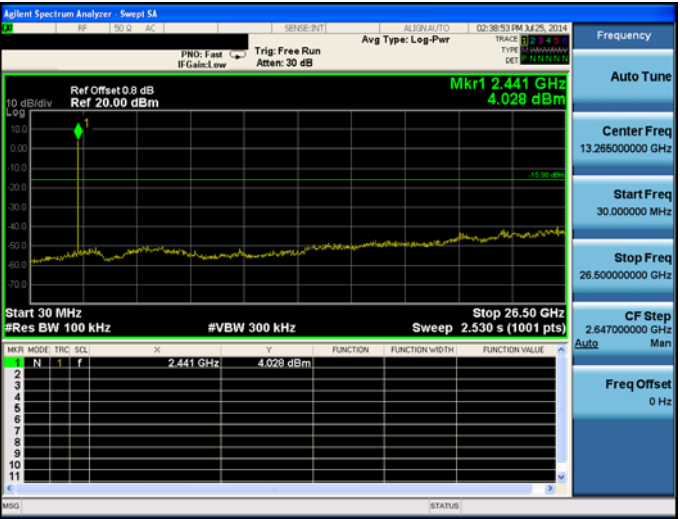
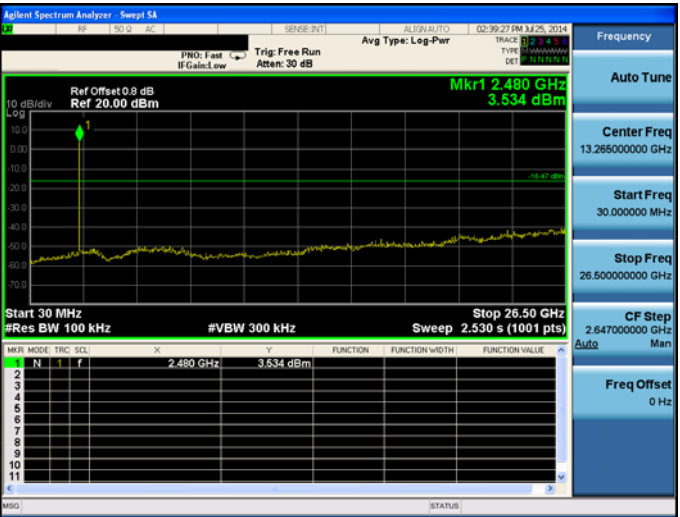
Remark: (1) Calibration period 1 year. (2) Calibration period 2 years.

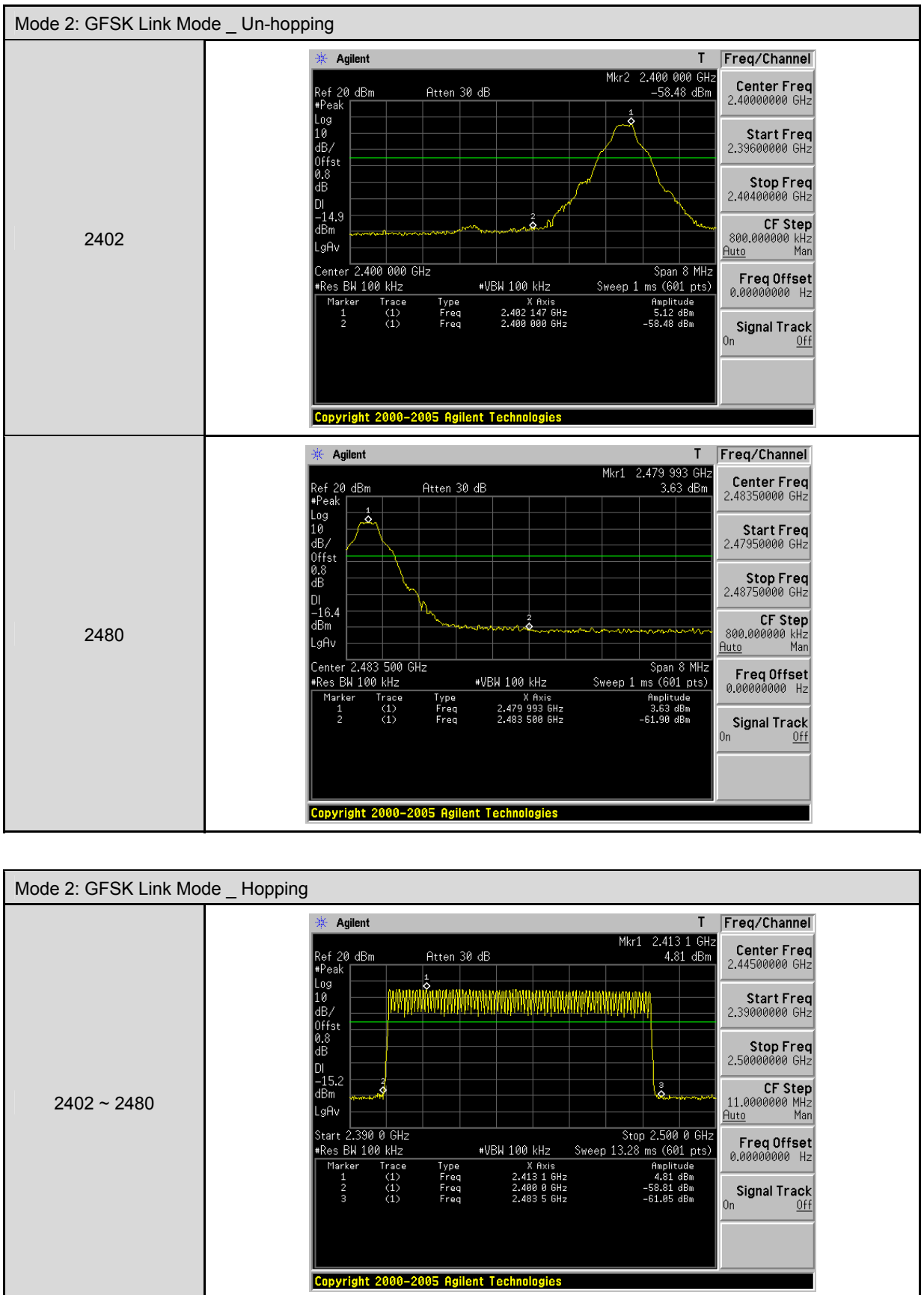
NOTE: N.C.R. = No Calibration Request.

11.4. Test Procedure

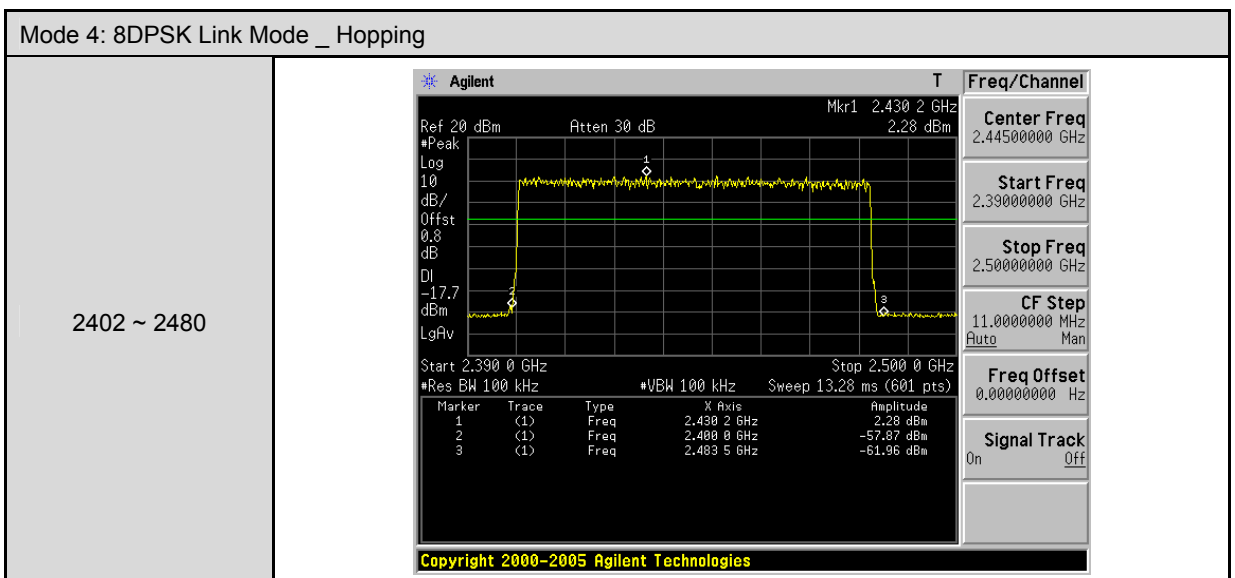
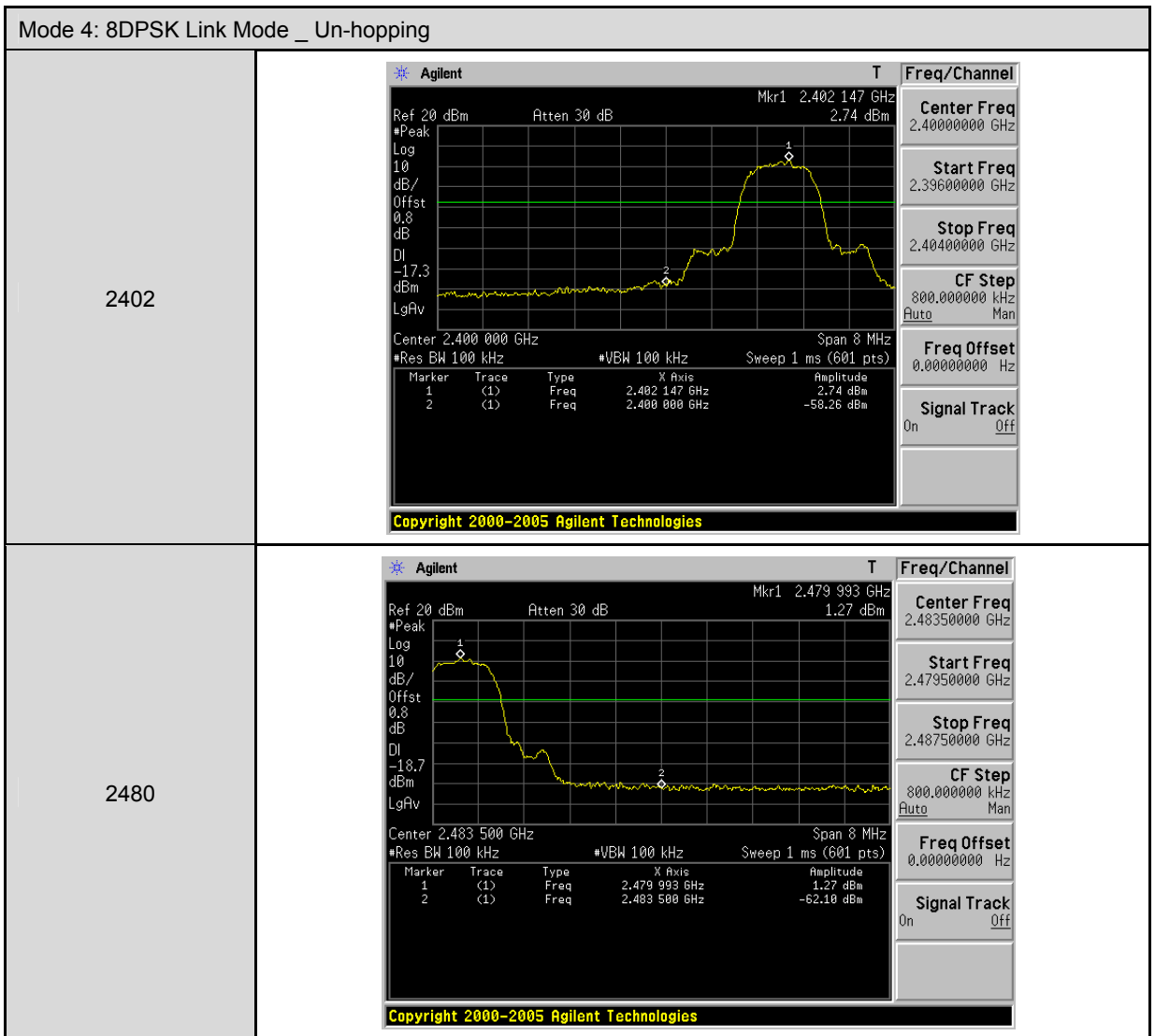
Testing must be done according to this procedure, FCC Public Notice DA 00-705 - Filing and Measurement Guidelines for Frequency Hopping Spread Spectrum Systems. This is the only method recognized by the FCC. In any 100 kHz bandwidth outside the EUT pass band, the RF power produced by the modulation products of the spreading sequence, the information sequence, and the carrier frequency shall be at least 20 dB below that of the maximum in-band 100 kHz emission, antenna output of the EUT was coupled directly to spectrum analyzer; if an external attenuator and/or cable was used, these losses are compensated for with the analyzer OFFSET function. All other types of emissions from the EUT shall meet the general limits for radiated frequencies outside the pass band. The test was performed at 3 channels (Channel 0, 39, 78)

11.5. Test Graphs

Mode 2: GFSK Link Mode																			
2402	 <p>Agilent Spectrum Analyzer - Sweep SA</p> <p>Ref Offset 0.8 dB Ref 20.00 dBm</p> <p>Mkr1 2.402 GHz 4.095 dBm</p> <p>Start 30 MHz #Res BW 100 kHz #VBW 300 kHz Stop 26.50 GHz Sweep 2.530 s (1001 pts)</p> <table border="1"> <thead> <tr> <th>MKR</th> <th>MODE</th> <th>TRIG</th> <th>SCL</th> <th>X</th> <th>Y</th> <th>FUNCTION</th> <th>FUNCTION WIDTH</th> <th>FUNCTION VALUE</th> </tr> </thead> <tbody> <tr> <td>1</td> <td>N</td> <td>f</td> <td></td> <td>2.402 GHz</td> <td>4.095 dBm</td> <td></td> <td></td> <td></td> </tr> </tbody> </table> <p>Frequency: Auto Tune Center Freq: 13.265000000 GHz Start Freq: 30.000000 MHz Stop Freq: 26.500000000 GHz CF Step: 2.647000000 GHz Freq Offset: 0 Hz</p>	MKR	MODE	TRIG	SCL	X	Y	FUNCTION	FUNCTION WIDTH	FUNCTION VALUE	1	N	f		2.402 GHz	4.095 dBm			
MKR	MODE	TRIG	SCL	X	Y	FUNCTION	FUNCTION WIDTH	FUNCTION VALUE											
1	N	f		2.402 GHz	4.095 dBm														
2441	 <p>Agilent Spectrum Analyzer - Sweep SA</p> <p>Ref Offset 0.8 dB Ref 20.00 dBm</p> <p>Mkr1 2.441 GHz 4.028 dBm</p> <p>Start 30 MHz #Res BW 100 kHz #VBW 300 kHz Stop 26.50 GHz Sweep 2.530 s (1001 pts)</p> <table border="1"> <thead> <tr> <th>MKR</th> <th>MODE</th> <th>TRIG</th> <th>SCL</th> <th>X</th> <th>Y</th> <th>FUNCTION</th> <th>FUNCTION WIDTH</th> <th>FUNCTION VALUE</th> </tr> </thead> <tbody> <tr> <td>1</td> <td>N</td> <td>f</td> <td></td> <td>2.441 GHz</td> <td>4.028 dBm</td> <td></td> <td></td> <td></td> </tr> </tbody> </table> <p>Frequency: Auto Tune Center Freq: 13.265000000 GHz Start Freq: 30.000000 MHz Stop Freq: 26.500000000 GHz CF Step: 2.647000000 GHz Freq Offset: 0 Hz</p>	MKR	MODE	TRIG	SCL	X	Y	FUNCTION	FUNCTION WIDTH	FUNCTION VALUE	1	N	f		2.441 GHz	4.028 dBm			
MKR	MODE	TRIG	SCL	X	Y	FUNCTION	FUNCTION WIDTH	FUNCTION VALUE											
1	N	f		2.441 GHz	4.028 dBm														
2480	 <p>Agilent Spectrum Analyzer - Sweep SA</p> <p>Ref Offset 0.8 dB Ref 20.00 dBm</p> <p>Mkr1 2.480 GHz 3.534 dBm</p> <p>Start 30 MHz #Res BW 100 kHz #VBW 300 kHz Stop 26.50 GHz Sweep 2.530 s (1001 pts)</p> <table border="1"> <thead> <tr> <th>MKR</th> <th>MODE</th> <th>TRIG</th> <th>SCL</th> <th>X</th> <th>Y</th> <th>FUNCTION</th> <th>FUNCTION WIDTH</th> <th>FUNCTION VALUE</th> </tr> </thead> <tbody> <tr> <td>1</td> <td>N</td> <td>f</td> <td></td> <td>2.480 GHz</td> <td>3.534 dBm</td> <td></td> <td></td> <td></td> </tr> </tbody> </table> <p>Frequency: Auto Tune Center Freq: 13.265000000 GHz Start Freq: 30.000000 MHz Stop Freq: 26.500000000 GHz CF Step: 2.647000000 GHz Freq Offset: 0 Hz</p>	MKR	MODE	TRIG	SCL	X	Y	FUNCTION	FUNCTION WIDTH	FUNCTION VALUE	1	N	f		2.480 GHz	3.534 dBm			
MKR	MODE	TRIG	SCL	X	Y	FUNCTION	FUNCTION WIDTH	FUNCTION VALUE											
1	N	f		2.480 GHz	3.534 dBm														



Mode 4: 8DPSK Link Mode																			
2402	<p>Agilent Spectrum Analyzer - Swept SA</p> <p>Ref Offset 0.8 dB Ref 20.00 dBm</p> <p>Mkr1 2.402 GHz 2.793 dBm</p> <p>Start 30 MHz #Res BW 100 kHz #VBW 300 kHz</p> <p>Stop 26.50 GHz Sweep 2.530 s (1001 pts)</p> <table border="1"> <thead> <tr> <th>MNR</th> <th>MODE</th> <th>TRIG</th> <th>SOL</th> <th>X</th> <th>Y</th> <th>FUNCTION</th> <th>FUNCTION WIDTH</th> <th>FUNCTION VALUE</th> </tr> </thead> <tbody> <tr> <td>1</td> <td>N</td> <td>f</td> <td></td> <td>2.402 GHz</td> <td>2.793 dBm</td> <td></td> <td></td> <td></td> </tr> </tbody> </table>	MNR	MODE	TRIG	SOL	X	Y	FUNCTION	FUNCTION WIDTH	FUNCTION VALUE	1	N	f		2.402 GHz	2.793 dBm			
MNR	MODE	TRIG	SOL	X	Y	FUNCTION	FUNCTION WIDTH	FUNCTION VALUE											
1	N	f		2.402 GHz	2.793 dBm														
2441	<p>Agilent Spectrum Analyzer - Swept SA</p> <p>Ref Offset 0.8 dB Ref 20.00 dBm</p> <p>Mkr1 2.441 GHz 0.637 dBm</p> <p>Start 30 MHz #Res BW 100 kHz #VBW 300 kHz</p> <p>Stop 26.50 GHz Sweep 2.530 s (1001 pts)</p> <table border="1"> <thead> <tr> <th>MNR</th> <th>MODE</th> <th>TRIG</th> <th>SOL</th> <th>X</th> <th>Y</th> <th>FUNCTION</th> <th>FUNCTION WIDTH</th> <th>FUNCTION VALUE</th> </tr> </thead> <tbody> <tr> <td>1</td> <td>N</td> <td>f</td> <td></td> <td>2.441 GHz</td> <td>0.637 dBm</td> <td></td> <td></td> <td></td> </tr> </tbody> </table>	MNR	MODE	TRIG	SOL	X	Y	FUNCTION	FUNCTION WIDTH	FUNCTION VALUE	1	N	f		2.441 GHz	0.637 dBm			
MNR	MODE	TRIG	SOL	X	Y	FUNCTION	FUNCTION WIDTH	FUNCTION VALUE											
1	N	f		2.441 GHz	0.637 dBm														
2480	<p>Agilent Spectrum Analyzer - Swept SA</p> <p>Ref Offset 0.8 dB Ref 20.00 dBm</p> <p>Mkr1 2.480 GHz -0.759 dBm</p> <p>Start 30 MHz #Res BW 100 kHz #VBW 300 kHz</p> <p>Stop 26.50 GHz Sweep 2.530 s (1001 pts)</p> <table border="1"> <thead> <tr> <th>MNR</th> <th>MODE</th> <th>TRIG</th> <th>SOL</th> <th>X</th> <th>Y</th> <th>FUNCTION</th> <th>FUNCTION WIDTH</th> <th>FUNCTION VALUE</th> </tr> </thead> <tbody> <tr> <td>1</td> <td>N</td> <td>f</td> <td></td> <td>2.480 GHz</td> <td>-0.759 dBm</td> <td></td> <td></td> <td></td> </tr> </tbody> </table>	MNR	MODE	TRIG	SOL	X	Y	FUNCTION	FUNCTION WIDTH	FUNCTION VALUE	1	N	f		2.480 GHz	-0.759 dBm			
MNR	MODE	TRIG	SOL	X	Y	FUNCTION	FUNCTION WIDTH	FUNCTION VALUE											
1	N	f		2.480 GHz	-0.759 dBm														

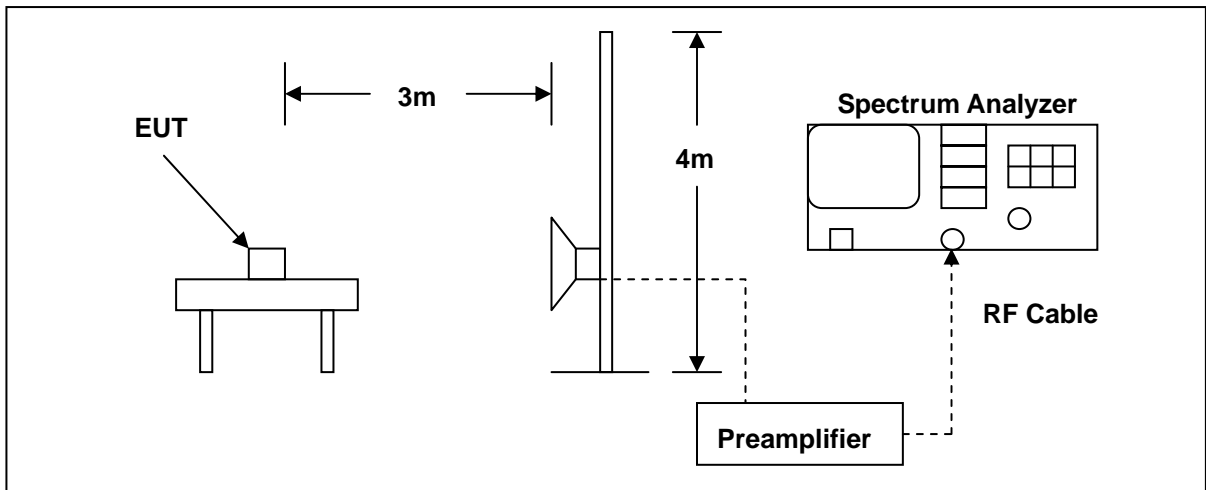


12 Band Edges Measurement

12.1. Limit

In any 100 kHz bandwidth outside the frequency band in which the spread spectrum or digitally modulated intentional radiator is operating, the radio frequency power that is produced by the intentional radiator shall be at least 20 dB below that in the 100 kHz bandwidth within the band that contains the highest level of the desired power

12.2. Test Setup



12.3. Test Instruments

Equipment	Manufacturer	Model Number	Serial Number	Cal. Date	Remark
Spectrum Analyzer	Agilent	E4408B	MY45107753	07/11/2013	(1)
Pre Amplifier	Agilent	8449B	3008A02237	02/21/2014	(1)
Horn Antenna	SCHWARZBECK MESS-ELEKTRONIK	9120D	9120D-550	06/11/2014	(1)
Test Site	ATL	TE01	888001	08/28/2013	(1)

Remark: (1) Calibration period 1 year. (2) Calibration period 2 years.

NOTE: N.C.R. = No Calibration Request.

12.4. Test Procedure

Testing must be done according to this procedure, FCC Public Notice DA 00-705 - Filing and Measurement Guidelines for Frequency Hopping Spread Spectrum Systems. This is the only method recognized by the FCC. The emissions on the harmonics frequencies, the limits, and the margin of compliance are presented. These tests were made when the transmitter was in full radiated power. The additional test was performed to show compliance with the requirement at the band-edge frequency 2483.5 MHz and up to 2500 MHz and at 2390.0 MHz.

The transmitter was configured with the worst case antenna and setup to transmit at the highest channel. Then the field strength was measured at 2483.5 MHz.

The transmitter was then configured with the worst case antenna and setup to transmit at the lowest channel. Then the field strength was measured at 2390.0 MHz. These tests were performed at 4 different bit rates.

For measurements the resolution bandwidth is set to 1 MHz, and then the video bandwidth is set to 1 MHz for peak measurements and 10 Hz for average measurements.

12.5. Test Result

Standard:	FCC Part 15C	Test Distance:	3m
Test item:	Radiated Emission	Power:	DC 3.7V
Model Number:	MCT02A	Temp.(°C)/Hum.(%RH):	26(°C)/60%RH
Mode:	Mode 2	Date:	07/26/2014
Frequency:	2402 MHz	Test By:	Eric Ou Yang

Frequency (MHz)	Reading (dBuV)	Correct Factor (dB/m)	Result (dBuV/m)	Limit (dBuV/m)	Margin (dB)	Remark	Ant.Polar. H / V
2389.640	43.30	-1.95	41.35	74.00	-32.65	peak	H
2390.000	38.08	-1.94	36.14	74.00	-37.86	peak	H
2389.200	50.47	-1.96	48.51	74.00	-25.49	peak	V
2390.000	38.49	-1.94	36.55	74.00	-37.45	peak	V

Standard:	FCC Part 15C	Test Distance:	3m
Test item:	Radiated Emission	Power:	DC 3.7V
Model Number:	MCT02A	Temp.(°C)/Hum.(%RH):	26(°C)/60%RH
Mode:	Mode 2	Date:	07/26/2014
Frequency:	2480 MHz	Test By:	Eric Ou Yang

Frequency (MHz)	Reading (dBuV)	Correct Factor (dB/m)	Result (dBuV/m)	Limit (dBuV/m)	Margin (dB)	Remark	Ant.Polar. H / V
2483.500	41.42	-1.52	39.90	74.00	-34.10	peak	H
2484.000	53.82	-1.51	52.31	74.00	-21.69	peak	H
2484.000	34.66	-1.51	33.15	54.00	-20.85	AVG	H
2483.500	40.66	-1.52	39.14	74.00	-34.86	peak	V
2483.940	63.90	-1.51	62.39	74.00	-11.61	peak	V
2483.940	33.77	-1.51	32.26	54.00	-21.74	AVG	V

Standard:	FCC Part 15C	Test Distance:	3m
Test item:	Radiated Emission	Power:	DC 3.7V
Model Number:	MCT02A	Temp.(°C)/Hum.(%RH):	26(°C)/60%RH
Mode:	Mode 4	Date:	07/26/2014
Frequency:	2402 MHz	Test By:	Eric Ou Yang

Frequency (MHz)	Reading (dBuV)	Correct Factor (dB/m)	Result (dBuV/m)	Limit (dBuV/m)	Margin (dB)	Remark	Ant.Polar. H / V
2387.990	42.69	-1.96	40.73	74.00	-33.27	peak	H
2390.000	37.77	-1.94	35.83	74.00	-38.17	peak	H
2389.530	53.07	-1.95	51.12	74.00	-22.88	peak	V
2390.000	37.72	-1.94	35.78	74.00	-38.22	peak	V

Standard:	FCC Part 15C	Test Distance:	3m
Test item:	Radiated Emission	Power:	DC 3.7V
Model Number:	MCT02A	Temp.(°C)/Hum.(%RH):	26(°C)/60%RH
Mode:	Mode 4	Date:	07/26/2014
Frequency:	2480 MHz	Test By:	Eric Ou Yang

Frequency (MHz)	Reading (dBuV)	Correct Factor (dB/m)	Result (dBuV/m)	Limit (dBuV/m)	Margin (dB)	Remark	Ant.Polar. H / V
2483.500	44.11	-1.52	42.59	74.00	-31.41	peak	H
2483.780	52.17	-1.52	50.65	74.00	-23.35	peak	H
2483.500	40.10	-1.52	38.58	74.00	-35.42	peak	V
2483.800	64.20	-1.52	62.68	74.00	-11.32	peak	V
2483.800	35.01	-1.52	33.49	54.00	-20.51	AVG	V

Standard:	FCC Part 15C	Test Distance:	3m
Test item:	Radiated Emission	Power:	DC 3.7V
Model Number:	MCT02A	Temp.(°C)/Hum.(%RH):	26(°C)/60%RH
Mode:	Hopping	Date:	07/26/2014
		Test By:	Eric Ou Yang

Frequency (MHz)	Reading (dBuV)	Correct Factor (dB/m)	Result (dBuV/m)	Limit (dBuV/m)	Margin (dB)	Remark	Ant.Polar. H / V
2362.060	39.27	-2.07	37.20	74.00	-36.80	peak	H
2390.000	37.09	-1.94	35.15	74.00	-38.85	peak	H
2483.500	37.91	-1.52	36.39	74.00	-37.61	peak	H
2495.820	39.12	-1.46	37.66	74.00	-36.34	peak	H
2381.630	45.32	-1.98	43.34	74.00	-30.66	peak	V
2390.000	41.21	-1.94	39.27	74.00	-34.73	peak	V
2483.500	37.30	-1.52	35.78	74.00	-38.22	peak	V
2488.790	52.06	-1.49	50.57	74.00	-23.43	peak	V

13 Antenna Measurement

13.1. Limit

For intentional device, according to 15.203, an intentional radiator shall be designed to ensure that no antenna other than that furnished by the responsible party shall be used with the device.

And According to 15.247 (b)(4), if transmitting antennas of directional gain greater than 6 dBi are used, the power shall be reduced by the amount in dB that the directional gain of the antenna exceeds 6dBi.

13.2. Antenna Connector Construction

The antenna used in this product is PIFA antenna. And the maximum Gain of this antenna is only 2.85 dBi.