

1

2

3

4

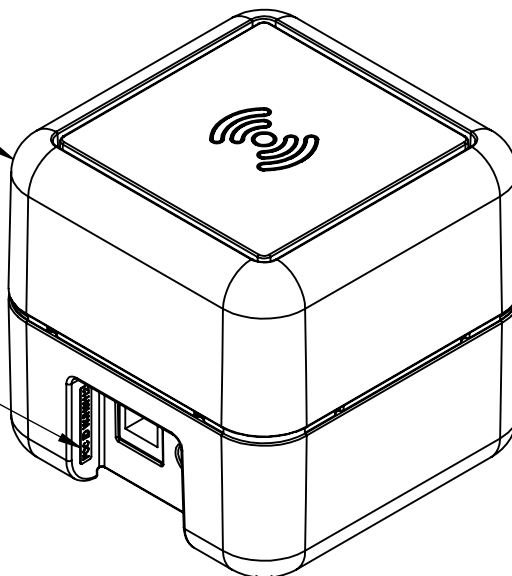
REVISIONS				
REV.	DESCRIPTION	DATE	DRAWN	APPROVED
A	First Issue	20/10/08	RGF	XXX

A

AM_H_101 ASSY

B

MEC0075 LOCATION



C

ISOMETRIC VIEW SCALE 1:2

D



E

NOTES:

1. SELF ADHESIVE LABEL TO BE PLACED IN POSITION SHOWN
2. LABEL TO BE WHITE WITH BLACK TEXT

DRAWN BY R FARN	DATE 20/10/08
--------------------	------------------

MATERIAL XXXX

FINISH XXXX

MEC0075

Sheet 1 of 1

PROPRIETARY AND CONFIDENTIAL
THE INFORMATION CONTAINED IN THIS DRAWING IS THE SOLE PROPERTY OF EG TECHNOLOGY LTD. ANY REPRODUCTION IN PART OR AS A WHOLE WITHOUT THE WRITTEN PERMISSION OF EG TECHNOLOGY LTD IS PROHIBITED.

DIMENSIONS ARE IN MM
TOLERANCES:
ANGULAR: $\pm 0.5^\circ$
0 DECIMAL PLACES $\pm 0.5\text{mm}$
1 DECIMAL PLACES $\pm 0.2\text{mm}$
2 DECIMAL PLACES $\pm 0.1\text{mm}$
DO NOT SCALE DRAWING

SCALE 4:1



ANY QUESTIONS? PLEASE ASK!

EG TECHNOLOGY LTD
BURLEIGH HOUSE
13-15 NEWMARKET ROAD
CAMBRIDGE
+44 (0)1223 710799

F