

1

2

3

4

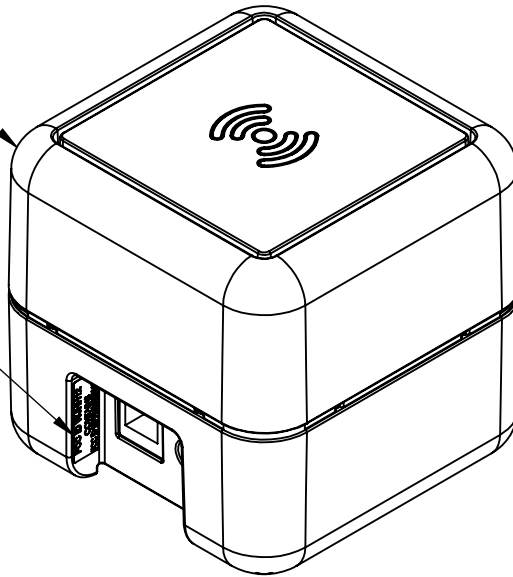
REVISIONS				
REV.	DESCRIPTION	DATE	DRAWN	APPROVED
A	First Issue	20/10/08	RGF	XXX

A

AM\_H\_101 ASSY

B

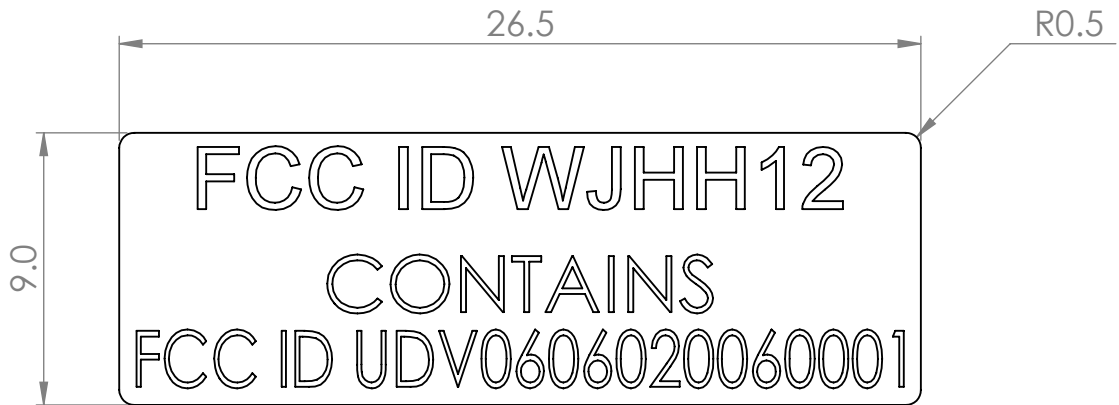
MEC0076 LOCATION



ISOMETRIC VIEW SCALE 1:2

C

D



E

NOTES:

1. SELF ADHESIVE LABEL TO BE PLACED IN POSITION SHOWN
2. LABEL TO BE WHITE WITH BLACK TEXT

F

DRAWN BY R FARN	DATE 20/10/08
--------------------	------------------

MATERIAL XXXX
------------------

FINISH XXXX
----------------

MEC0076

Sheet 1 of 1

**PROPRIETARY AND CONFIDENTIAL**  
 THE INFORMATION CONTAINED IN THIS DRAWING IS THE SOLE PROPERTY OF EG TECHNOLOGY LTD. ANY REPRODUCTION IN PART OR AS A WHOLE WITHOUT THE WRITTEN PERMISSION OF EG TECHNOLOGY LTD IS PROHIBITED.

DIMENSIONS ARE IN MM  
 TOLERANCES:  
 ANGULAR: ±0.5°  
 0 DECIMAL PLACES ±0.5mm  
 1 DECIMAL PLACES ±0.2mm  
 2 DECIMAL PLACES ±0.1mm  
**DO NOT SCALE DRAWING**

SCALE 4:1



ANY QUESTIONS? PLEASE ASK!

EG TECHNOLOGY LTD  
 BURLEIGH HOUSE  
 13-15 NEWMARKET ROAD  
 CAMBRIDGE  
 +44 (0)1223 710799