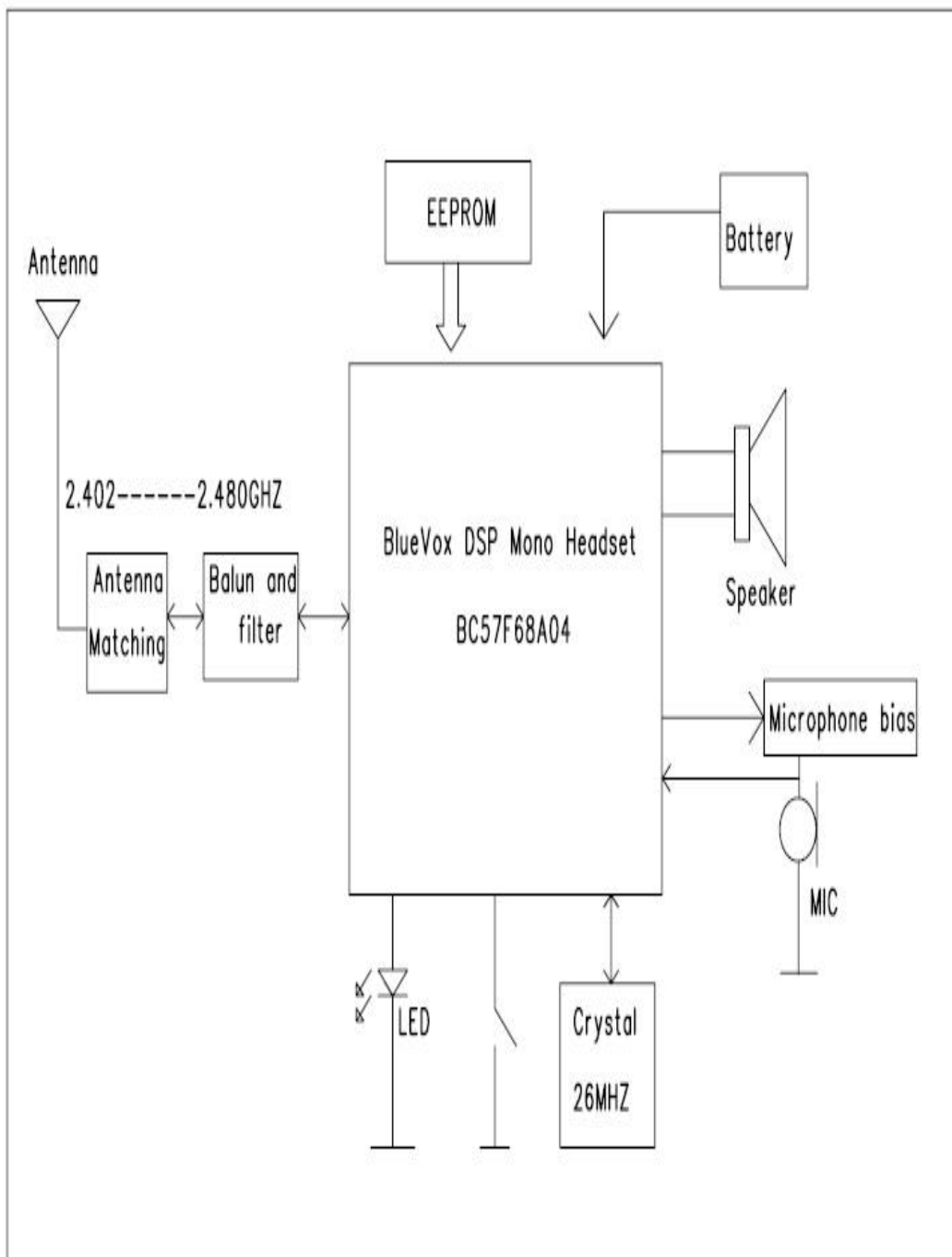


# Trex pro System Architecture Headset



The Bluetooth Headset is use CSR BC57F68A04 ROM QFN solution.

The Headset consists of the BC57F68A04, Status indicating LED and three Multifunction Buttons for power on/off, Pairing, Call control ,Call mute, and Volume Control etc.,.

## Transceiver Block Diagrams

