

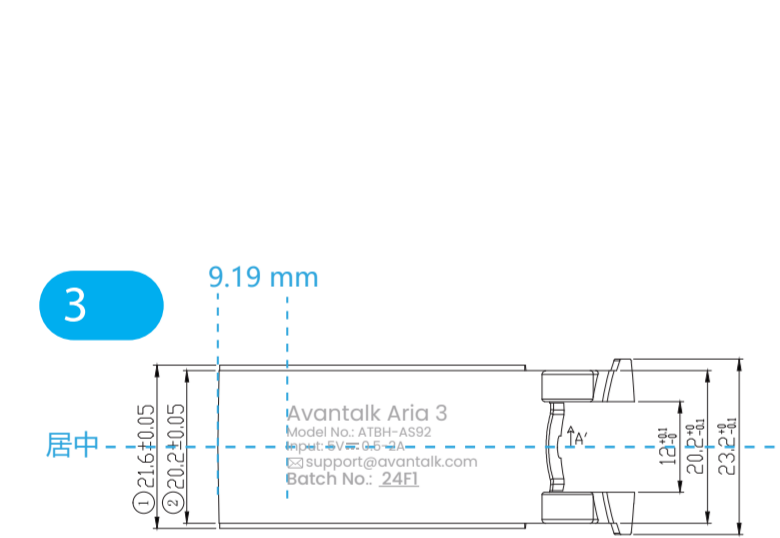
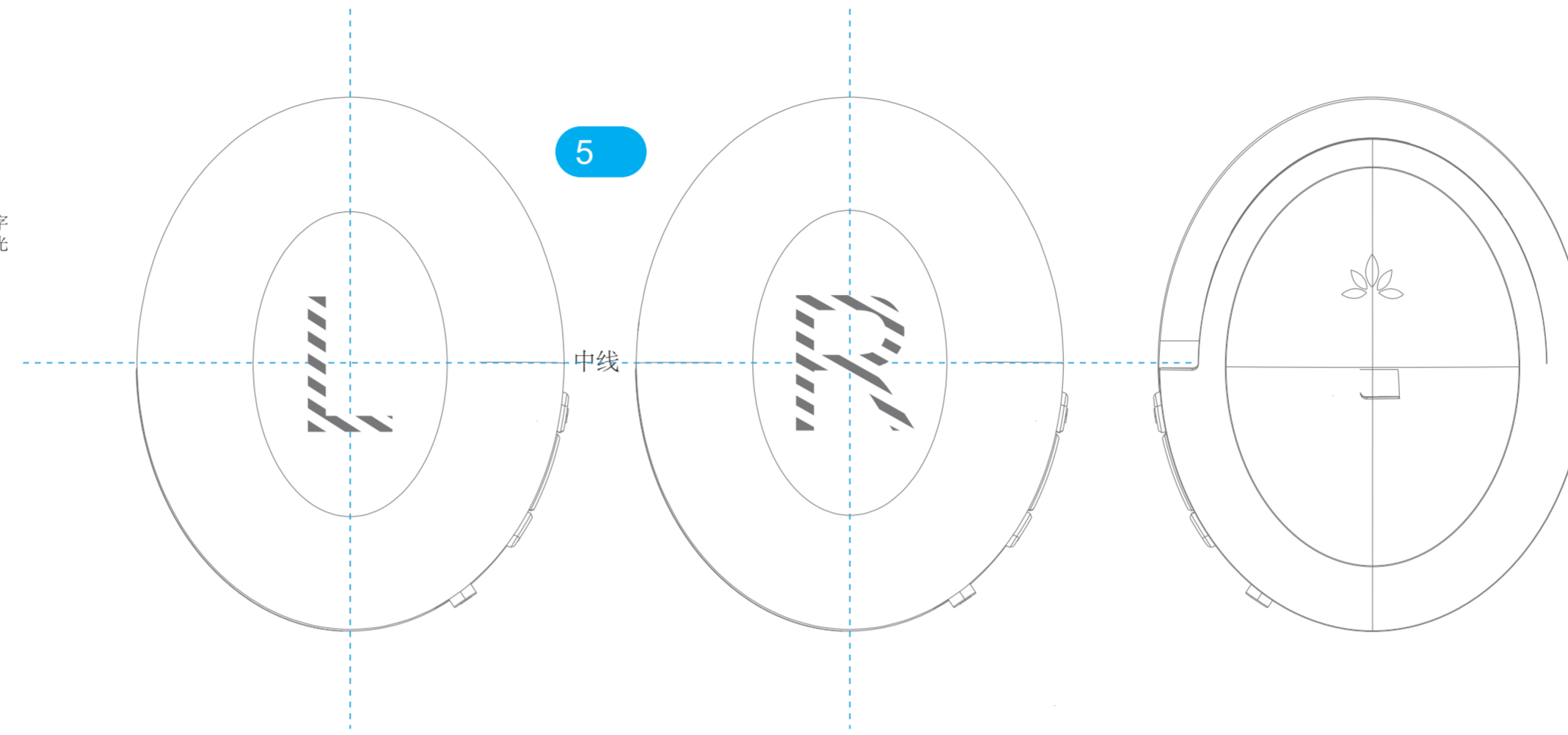
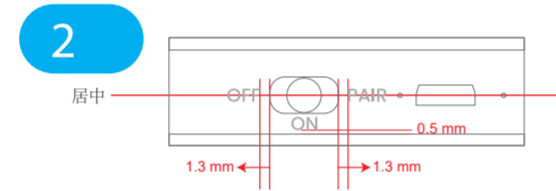
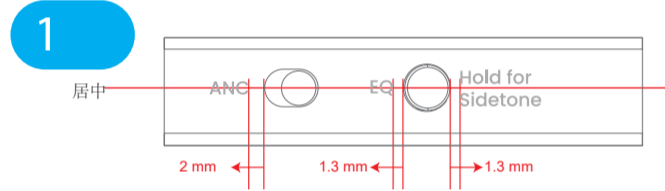
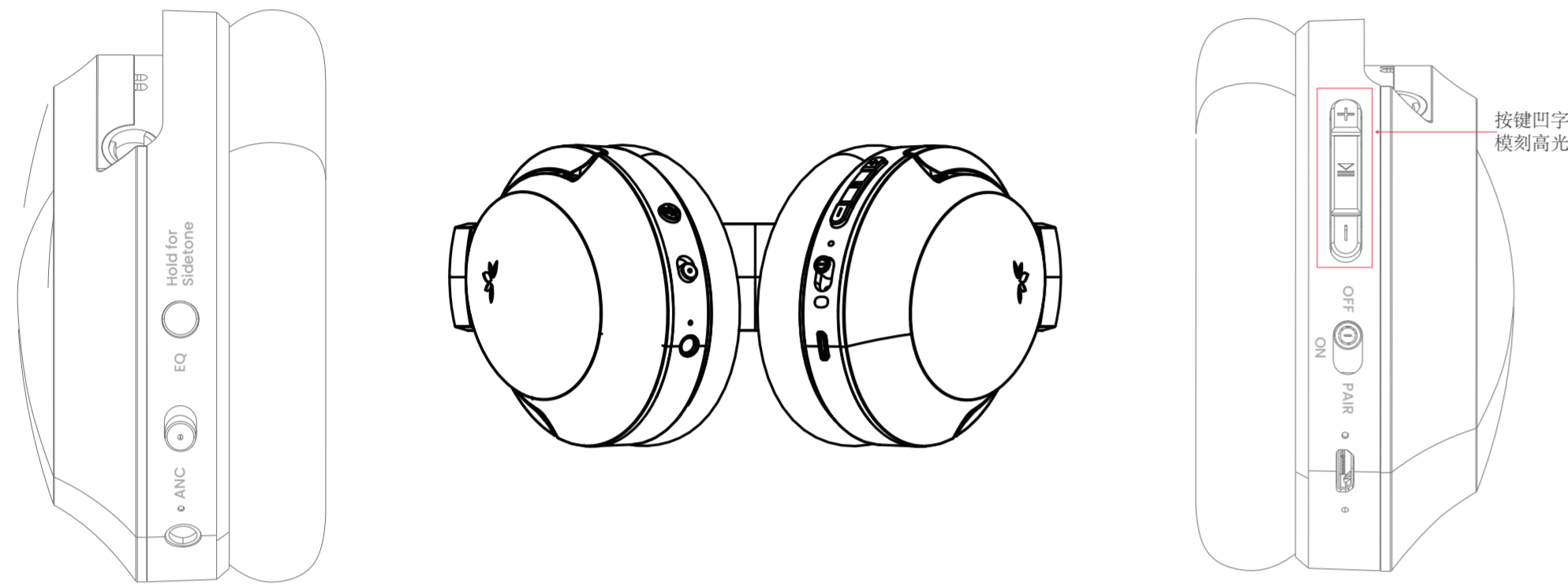


Product Sticker

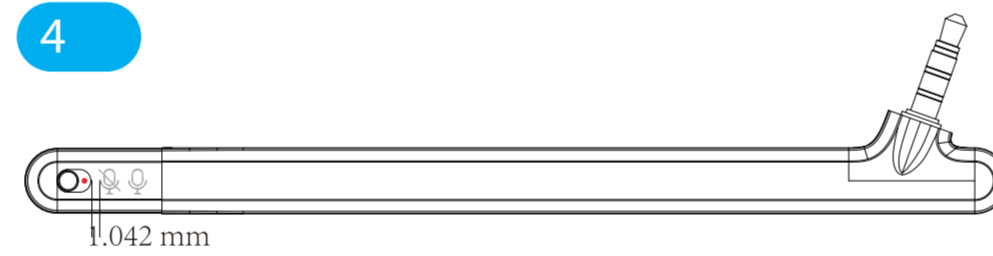
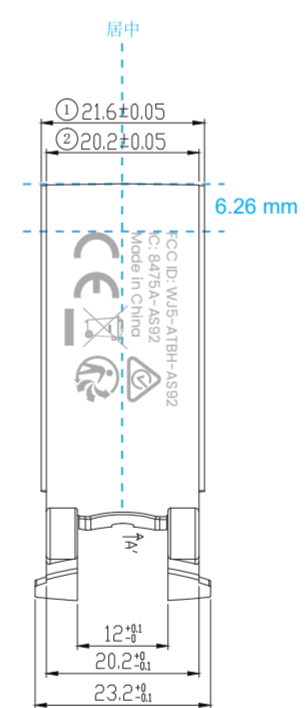
Z-PNT1-AS92-V1

Version:

V1



请印在左边 (内面的连接盒)



Graphics artwork (scaled 1:1)

<p>1</p> <p>ANC: 7.75 mm, 5.18 mm EQ: 2.05 mm, 2.98 mm Hold for Sidetone: 10.89 mm, 10.73 mm Size: 5.18 mm X 1.75 mm, 2.98 mm X 2.05 mm, 10.73 mm X 4.89 mm</p>	<p>2</p> <p>OFF: 1.72 mm, 5.07 mm PAIR: 1.76 mm, 3.44 mm ON: 1.76 mm, 4.31 mm Size: 5.07 X 1.72 mm, 3.44 X 1.76 mm, 4.31 X 1.76 mm</p>
<p>3</p> <p>Avantalk Aria 3 Model No.: AT92-AS92 Input: DC5V 2.0A ES: support@avantalk.com Batch No.: 24E1 Size: 25.07 x 10.86 mm</p> <p>CCC: E5 WJ5FATBFA592 C: 8476A-AS92 Made in China Size: 23 x 14.94 mm</p>	

4

Size: 6.45 mm x 3.422 mm

5

Size: 21.504 x 24.4 mm
Size: 15.246 x 24.4 mm
PANTONE Gool Gray 9C

Features

1.2.3.4.
PANTONE Gool Gray 6C