

Antenna Type : PIFA

RFA-LTE-JP782-70B-95

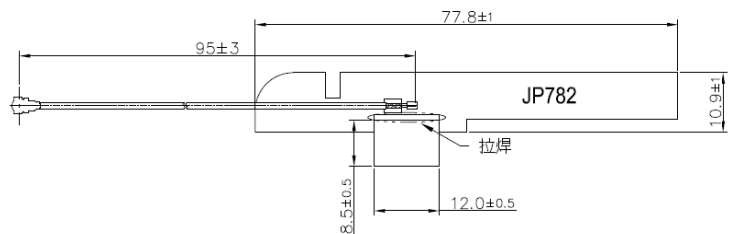
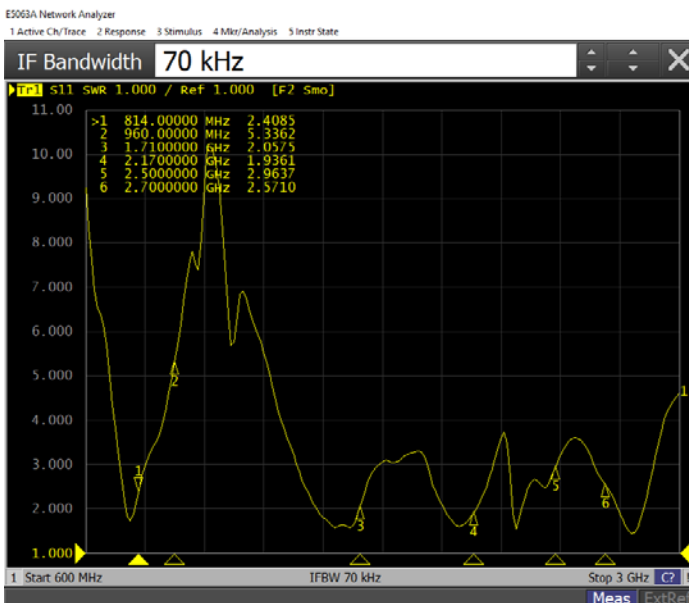
Electrical Specifications

Frequency range	699 -787MHz	814 - 960 MHz	1710-2690 MHz
Peak Gain	0 dBi	-0.58 dBi	2.92 dBi
Average Gain	-4.58 dBi	-5.49 dBi	-4.2 dBi
Efficiency	37.18 dBi	28.59 %	38.87 %
VSWR	6.0 : 1 Max.	6.0 : 1 Max.	4.5 : 1 Max.
Polarization	Linear, vertical		
Impedance	50 Ω		
Connector	IPEX		
Cable	Ø1.13		

Environmental & Mechanical Characteristics

Temperature	- 10°C to +55°C
Humidity	95% @ 25°C

VSWR

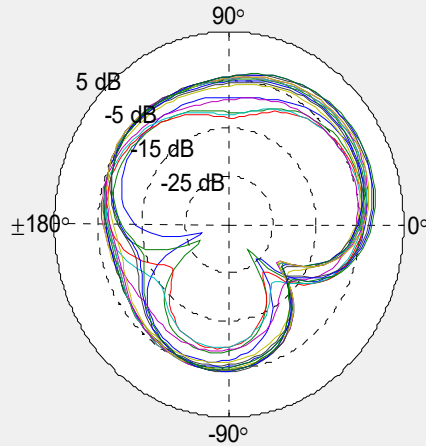


Radiation Pattern

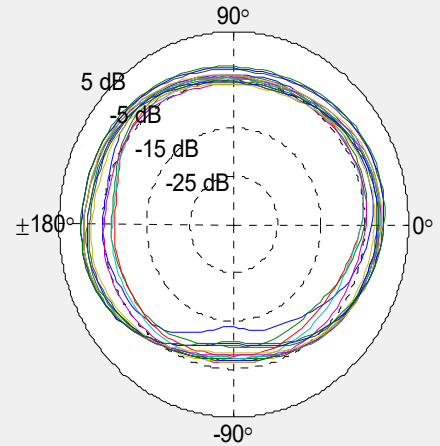
L1 Band = 650 - 798 MHz % L1 BAND

- 704 MHz
- 707.5 MHz
- 710 MHz
- 716 MHz
- 729 MHz
- 734 MHz
- 737.5 MHz
- 740 MHz
- 746 MHz
- 746 MHz
- 751 MHz
- 756 MHz
- 777 MHz
- 782 MHz
- 787 MHz

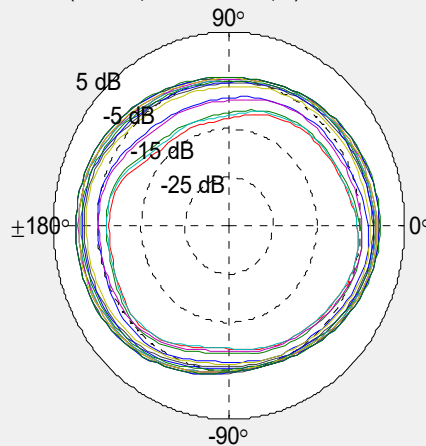
XY Plane (+X = 0φX, +Y = +90φX) / Elevation = 90 φX



ZX Plane (+Z = 0φX, +X = +90φX) / Azimuth = 0 φX



YZ Plane (+Z = 0φX, +Y = +90φX) / Azimuth = 90 φX

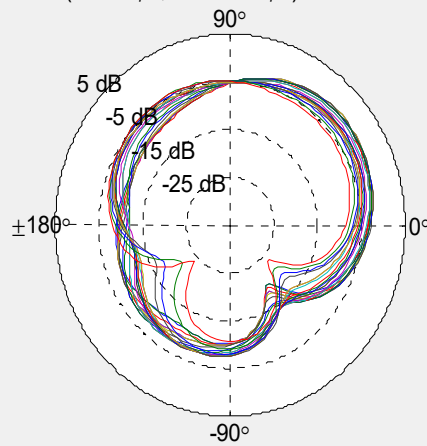


Radiation Pattern

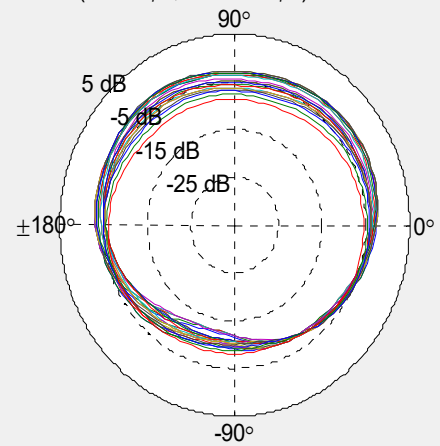
L2 Band = 792 - 960 MHz % L2 BAND

- 831.5 MHz
- 837.5 MHz
- 845 MHz
- 849 MHz
- 859 MHz
- 860 MHz
- 867.5 MHz
- 875 MHz
- 875 MHz
- 876.5 MHz
- 880 MHz
- 882.5 MHz
- 890 MHz
- 894 MHz
- 894.5 MHz

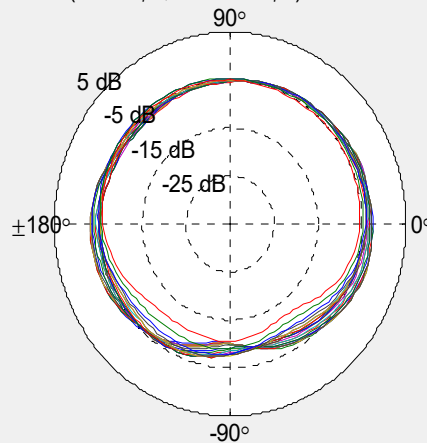
XY Plane (+X = 0φX, +Y = +90φX) / Elevation = 90 φX



ZX Plane (+Z = 0φX, +X = +90φX) / Azimuth = 0 φX



YZ Plane (+Z = 0φX, +Y = +90φX) / Azimuth = 90 φX



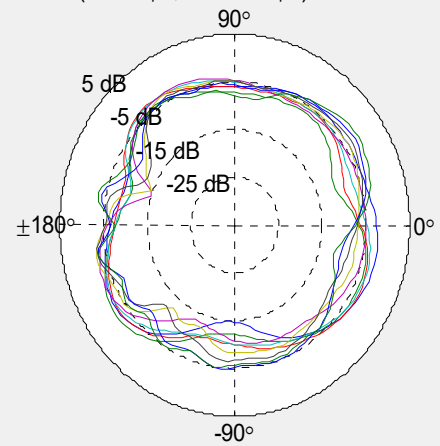
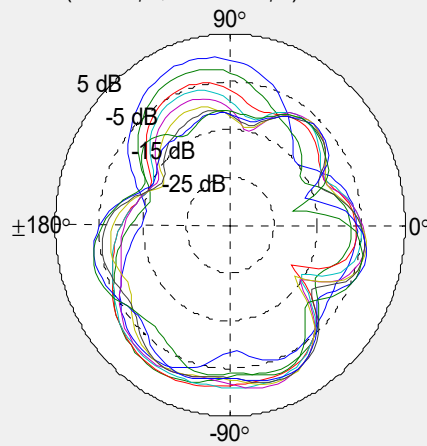
Radiation Pattern

H1 Band = 1700 - 2000 MHz % H1 BAND

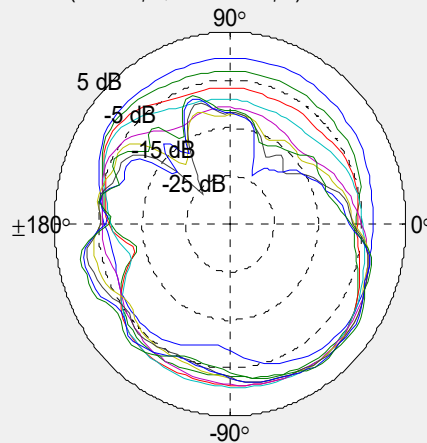
XY Plane (+X = 0φX, +Y = +90φX) / Elevation = 90 φX

ZX Plane (+Z = 0φX, +X = +90φX) / Azimuth = 0 φX

- 1710 MHz
- 1747.5 MHz
- 1785 MHz
- 1805 MHz
- 1842.5 MHz
- 1880 MHz
- 1920 MHz
- 1950 MHz
- 1980 MHz



YZ Plane (+Z = 0φX, +Y = +90φX) / Azimuth = 90 φX

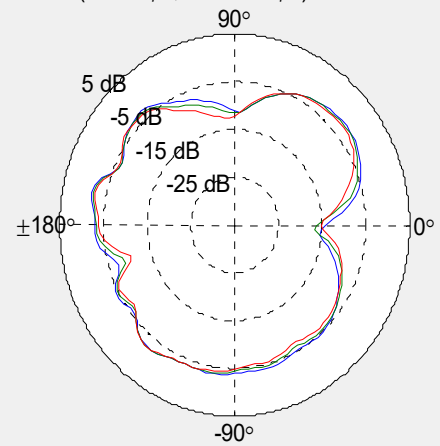
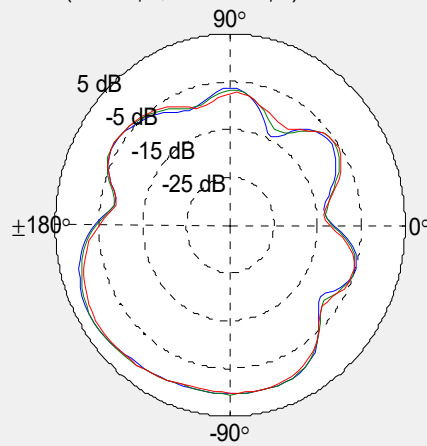
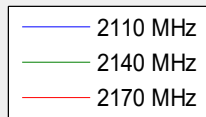


Radiation Pattern

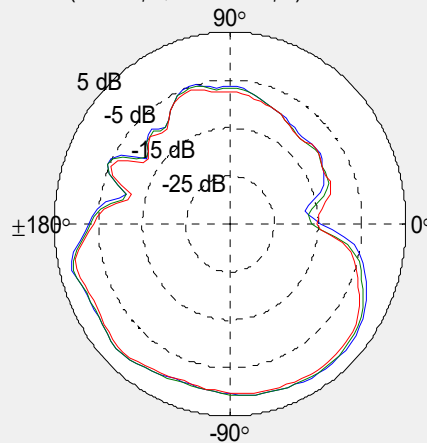
H2 Band = 2000 - 2200 MHz % H2 BAND

XY Plane (+X = 0φX, +Y = +90φX) / Elevation = 90 φX

ZX Plane (+Z = 0φX, +X = +90φX) / Azimuth = 0 φX



YZ Plane (+Z = 0φX, +Y = +90φX) / Azimuth = 90 φX

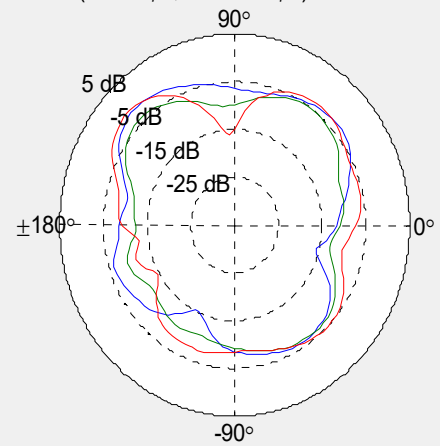
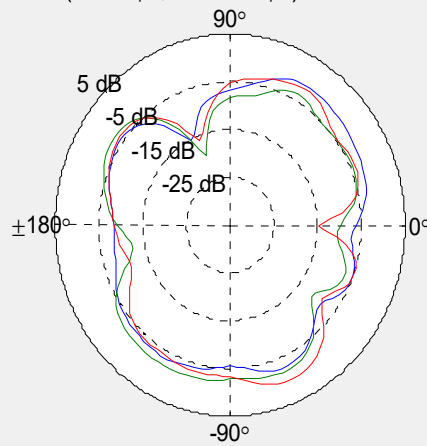
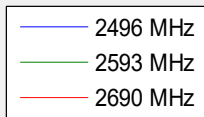


Radiation Pattern

H3 Band = 2300 - 2750 MHz

XY Plane (+X = 0φX, +Y = +90φX) / Elevation = 90 φX

ZX Plane (+Z = 0φX, +X = +90φX) / Azimuth = 0 φX



YZ Plane (+Z = 0φX, +Y = +90φX) / Azimuth = 90 φX

