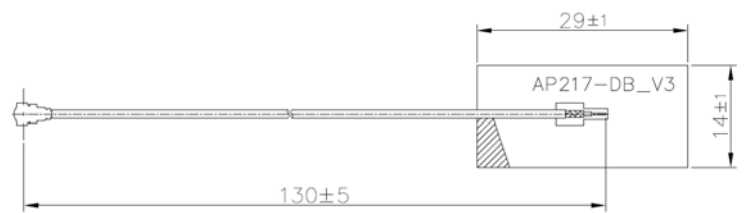


## Antenna Type : Dipole

## RFA-25-AP217-70W-130

### Electrical Specifications

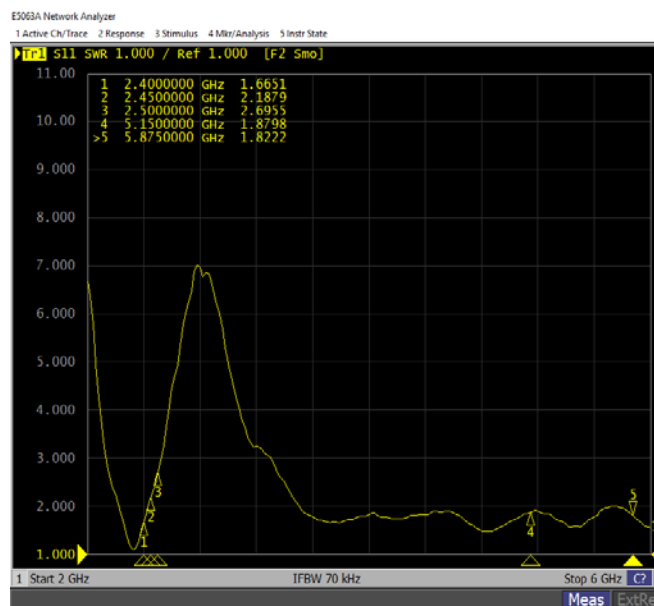
Frequency range	2400 - 2500 MHz	5150 - 5875 MHz
Peak Gain	3.34 dBi	3.64 dBi
Average Gain	-4.42 dBi	-4.04 dBi
Efficiency	36.3 %	40 %
VSWR	3.5 : 1 Max.	3.0 : 1 Max.
Polarization	Linear, vertical	
Impedance	50 $\Omega$	
Connector	IPEX	
Cable	$\varnothing$ 1.13	



### Environmental & Mechanical Characteristics

Temperature	-10°C to +55°C
Humidity	95% @ 25°C

## VSWR

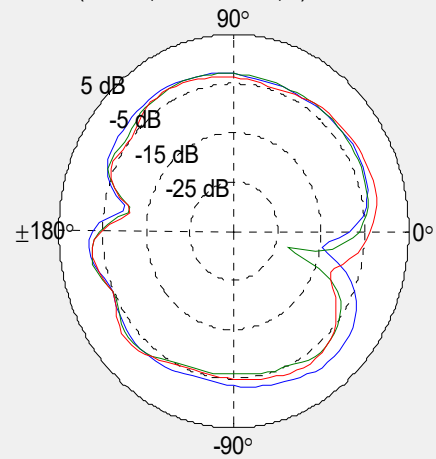
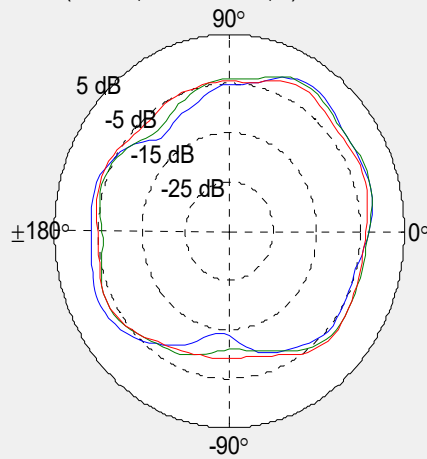
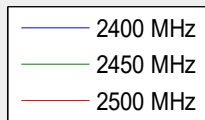


Radiation Pattern

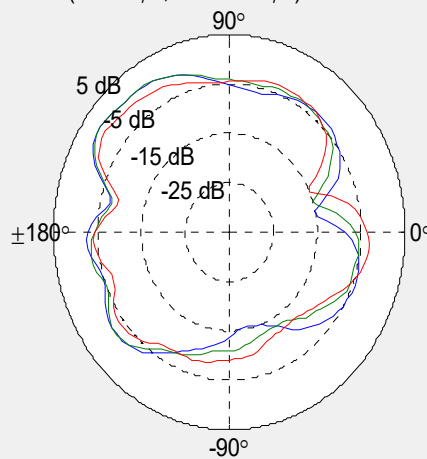
2G Band = 2400 - 2500 MHz % 2G BAND

XY Plane (+X = 0φX, +Y = +90φX) / Elevation = 90 φX

ZX Plane (+Z = 0φX, +X = +90φX) / Azimuth = 0 φX



YZ Plane (+Z = 0φX, +Y = +90φX) / Azimuth = 90 φX

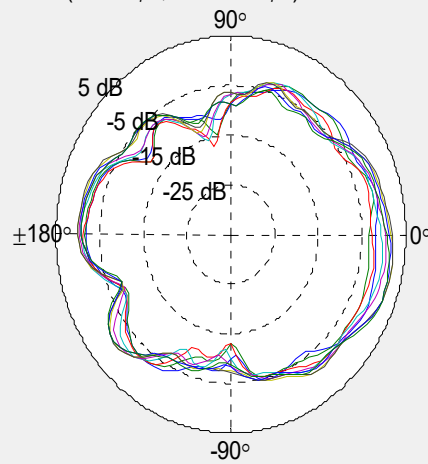


Radiation Pattern

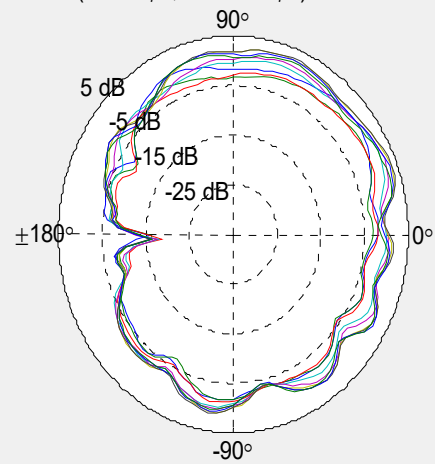
5G Band = 5100 - 5975 MHz

- 5150 MHz
- 5250 MHz
- 5350 MHz
- 5475 MHz
- 5600 MHz
- 5725 MHz
- 5750 MHz
- 5825 MHz
- 5875 MHz

XY Plane (+X = 0φX, +Y = +90φX) / Elevation = 90 φX



ZX Plane (+Z = 0φX, +X = +90φX) / Azimuth = 0 φX



YZ Plane (+Z = 0φX, +Y = +90φX) / Azimuth = 90 φX

