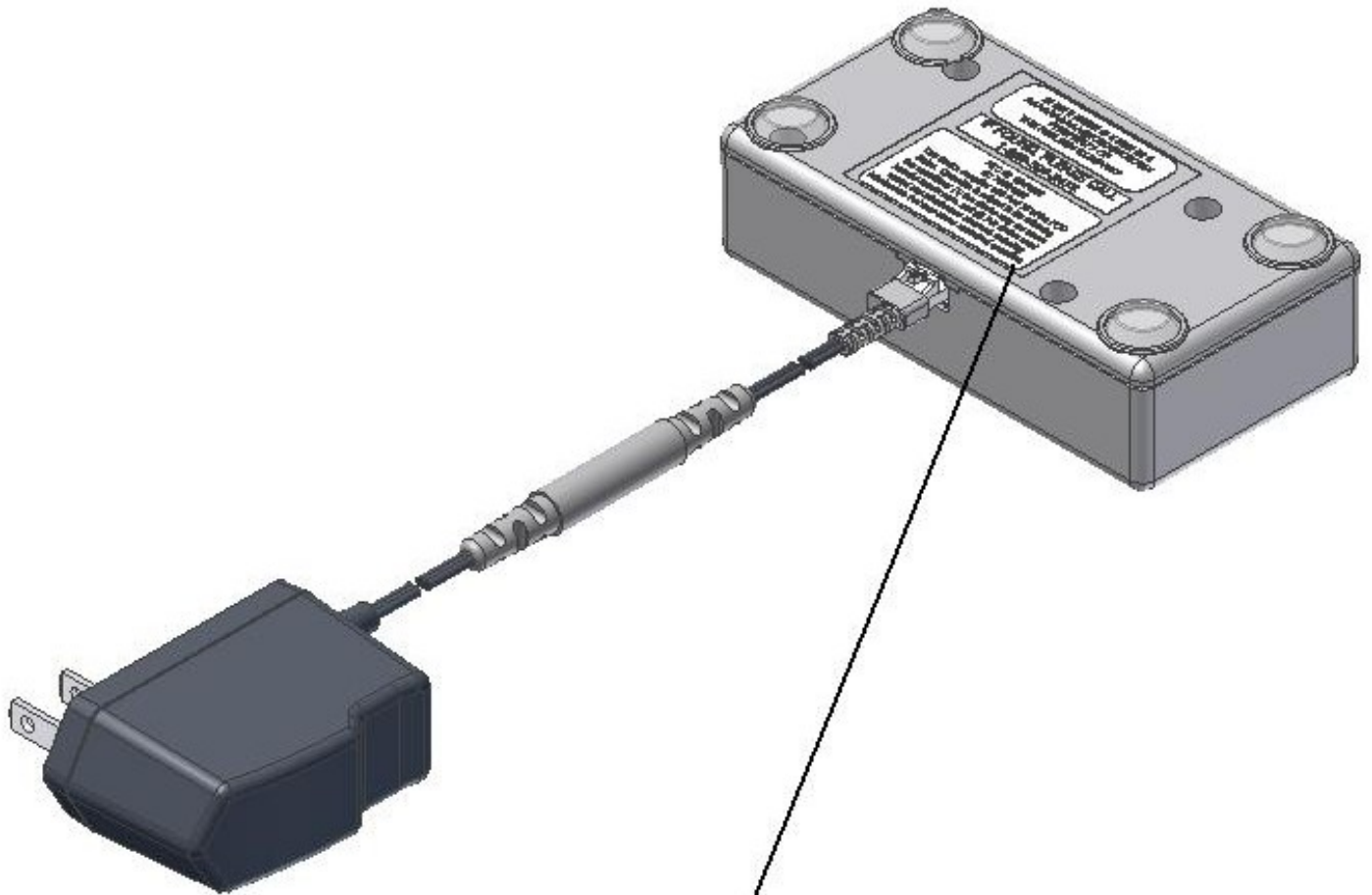


MAILABLE METER 2
501-2226-000



FCC ID: WHR002
IC: 7964A002

This device complies with Part 15 of the FCC Rules. Operation is subject to the following two conditions: (1) this device may not cause harmful interference, and (2) this device must accept any interference received, including interference that may cause undesired operation.