

FCC ID: WHR001
IC: 7964A001

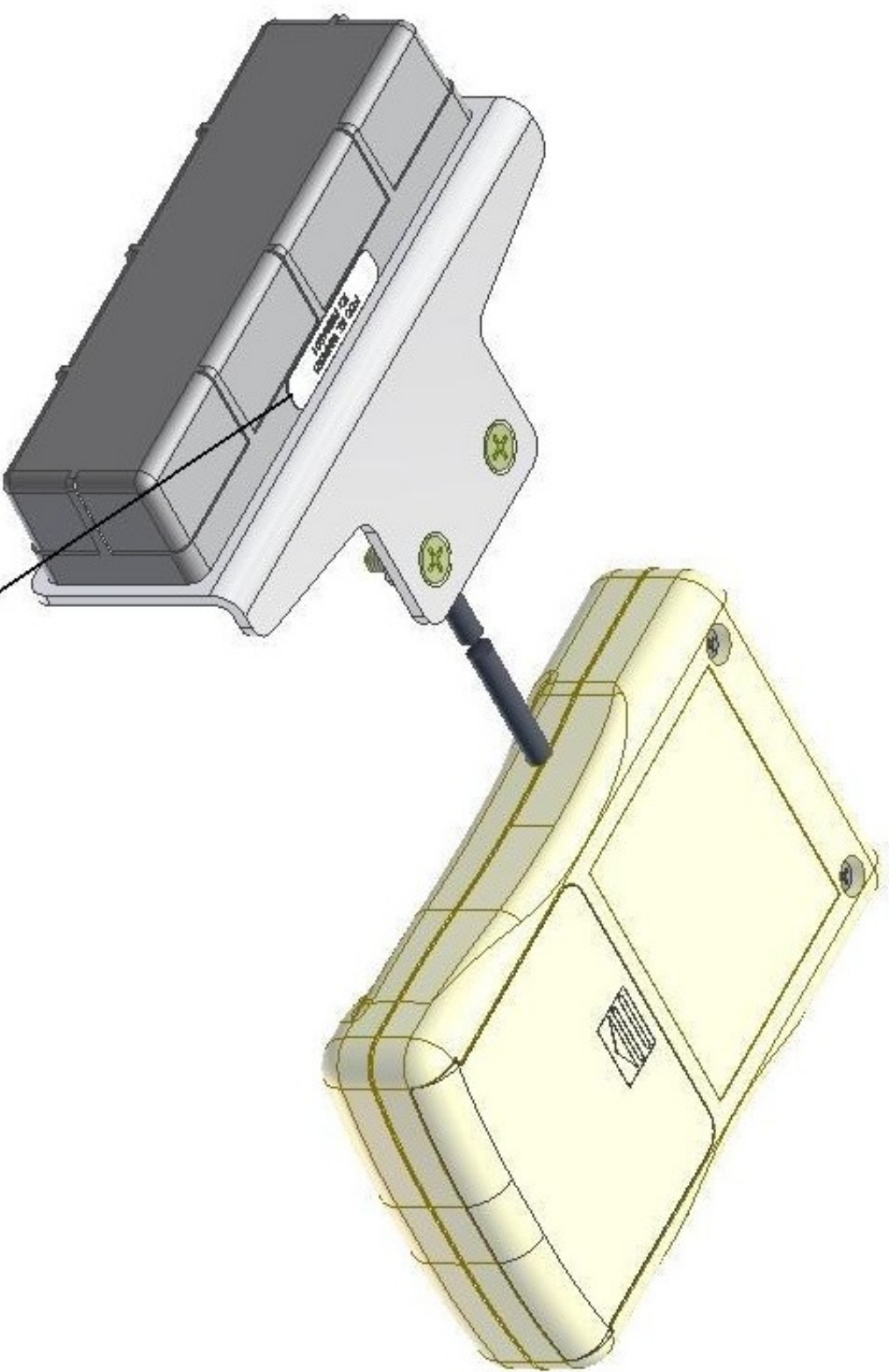
This device complies with Part 15 of the FCC Rules. Operation is subject to the following two conditions: (1) this device may not cause harmful interference, and (2) this device must accept any interference received, including interference that may cause undesired operation.

501-2227-000
INSTORE CART UNIT

FCC ID: WHR001
IC: 7964A001



501-1509-000
INSTORE SHELF RX UNIT



FCC ID: WHR001
IC: 7964A001