

Key to symbols

G WARNING

A warning notice informs you of possible risks to your health or life.

H Environmental note

Jagular Land Rover has committed itself to comprehensive protection of the environment.

The objectives are for the natural resources which form the basis of our existence on this planet to be used sparingly and in a manner which takes the requirements of both nature and humanity into account.

! Text marked in this way alerts you to the risk of possible material damage or malfunctions.

i Notes marked in this way contain useful tips and additional information.

x These items explain individual operating steps.

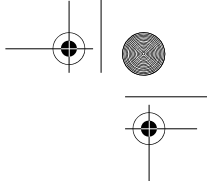
^ Bullet lists present you with possible selections.

These Operating Instructions are valid for vehicles equipped with a Jagular Land Rover Dashcam. They provide important information and explain how to operate it.

The dashcam has been specially developed for use in road traffic and records the traffic situation during a journey.

Before you drive off for the first time, read these Operating Instructions carefully and familiarise yourself with the dashcam. For your own safety and for a longer service life of the device, please follow the instructions and warning notices in these Operating Instructions. Failing to do so may lead to damage to the vehicle and the dashcam as well as personal injury.

Jagular Land Rover is continuously updating its dashcam to the state of the art and therefore reserves the right to introduce changes in design, equipment and technical features. For this reason, you cannot base any claims on the illustrations or descriptions in these



符号的关键

G 警告

警告通知会告知您可能的情况危害您的健康或生命。

H 环境说明

Jagular Land Rover致力于全面保护环境。

目标是为了自然资源构成我们在此存在的基础谨慎使用行星兼顾了两者的要求和人类。

! 以这种方式标记的文本会提醒您可能造成物质损坏或故障。

i 以这种方式标记的笔记包含有用的提示和其他信息。

x 这些项目说明了各个操作脚步。

^ 项目符号列表为您提供了可能选择

这些操作说明适用于装有Jagular Land Rover的车辆行车记录器。他们提供重要的信息并说明如何操作。行车记录仪是专门开发的用于道路交通并记录旅途中的情况。第一次开车前，请先阅读请仔细阅读本使用说明书，并熟悉行车记录仪。对于您自己的安全和更长的使用寿命设备的信息，请按照说明进行操作和这些操作中的警告提示说明。否则可能会导致损坏车辆和行车记录仪以及人身伤害。

Jagular Land Rover不断更新其行车记录仪，从而达到最新水平保留引入变更的权利设计，设备和技术功能。因此，您无法提出任何索赔在这些插图或说明中

Safety.....16
 Safety notes16
 Safety LED.....16
 Audio recording16
 General notes.....16
Overview17
 Scope of delivery.....17
 Details17
 Accessories18
Preparing the cameras18
 Removing/installing the camera18
 Inserting/removing the microSD card...19
 Aligning the camera.....19
Control buttons for the front camera.....20
Deleting recordings.....21
Driving mode.....21
 Recordings in infinite loop21
 Event recordings21
 Settings21
Parking mode.....22
 Monitoring range of the sensors.....22
 Recordings when movement is detected22
 Event recordings22
 Settings22
Establishing a Wi-Fi connection between an end device and the dashcam23
 Encrypting Wi-Fi (initial installation)23
 Authorising an end device and connecting to the dashcam23
Activating/deactivating spoken messages23
Web app.....24
Smartphone app „Jagular Land Rover Dashcam“24
Playing back recordings24
 Playback on an end device24
Data protection.....24

What should I do if...?24
 ... the dashcam doesn't react?24
Technical data25
 Length of the recording in the respective storage area.....25
 Monitoring times (parked mode)25

安全..... 16
 安全提示..... 16
 安全LED 16
 录音..... 16
 一般说明..... 16
 概述..... 17
 供货范围...
 细节17
 配件..... 18
 准备相机..... 18
 拆卸/安装相机..... 18
 插入/取出microSD卡... 19
 对准相机... 19
 正面的控制按钮
 相机..... 20
 删除录音..... 21
 行驶模式..... 21
 无限循环中的录音..... 21
 活动录音...
 设置..... 21
 停车模式..... 22
 传感器的监视范围..... 22
 移动时的记录
 检测到..... 22
 活动录音...
 设置..... 22
 建立Wi-Fi连接
 在终端设备和

行车记录仪..... 23
 加密Wi-Fi（初始安装）... 23
 授权终端设备和
 连接到行车记录仪..... 23
 激活/停用语音
 消息..... 23
 网路应用程序..... 24
 智能手机应用 “Jagular Land Rover”
 Dashcam“ 24
 播放录音..... 24
 在终端设备上播放..... 24
 数据保护..... 24
 如果...我该怎么办? 24
 ...行车记录仪没有反应? 24
 技术数据..... 25
 录音长度
 各自的存放区... 25
 监视时间（驻车模式） 25

Safety notes**G WARNING**

Your attention must always be focused on the traffic conditions.

As a driver, do not change settings on the dashcam while driving.

Stop the vehicle safely in accordance with traffic regulations if you wish to make changes to the settings of the dashcam. You may otherwise be distracted by the traffic conditions, cause an accident and injure yourself and others.

G WARNING

Have the dashcam installed at a qualified specialist workshop.

Modifications to electronic components, their software or wiring could impair their function and/or the function of other networked components. In particular, systems relevant to safety could also be affected. As a result, these may no longer function properly and/or may jeopardise the operating safety of the vehicle. There is an increased risk of accident and injury. Please observe the relevant instructions in your vehicle Owner's Manual. Never tamper with the wiring or electronic components or their software.

! In some countries, operation of a dashcam or use of recordings may be restricted or may not be permitted at all. Therefore, please find out about the applicable regulations on video surveillance and data protection in the country concerned before using the cameras. Observe the terms of the EU General Data Protection Regulation (EU GDPR). If necessary, you can remove the cameras from the brackets. Stow them safely.

! Do not use the live preview of the app as an aid whilst parking or during the journey.

! Do not connect an electricity supply or end devices to the dashcam via the USB port. Otherwise, the dashcam and/or the connected end device could be damaged.

Safety LED

A white LED on the front and rear camera indicates that a recording is being made. The LED is visible from outside of the vehicle.

! Observe the legal regulations of the country in which you wish to operate the dashcam. In some cases, the white safety LED may not be permissible. Please contact a qualified specialist workshop in such cases. Jaguar Land Rover recommends that you use a Jaguar Land Rover Service Centre.

Audio recording

In the case of video recordings by the dashcam, depending on the settings which are selected, audio recordings from the vehicle interior may also be made. Switch these off if required; see page 20.

! Observe the legal regulations of the country in which you wish to operate the dashcam. It may be the case that audio recordings are not permissible. Inform vehicle occupants if audio recordings are taking place.

! You must switch off audio recording before you hand the vehicle over to another person.

General notes

! Different sources of radiation, e.g. mobile phones, may interfere with the dashcam. Keep the number of sources of radiation in the vehicle as low as possible.

安全须知**G 警告**

您的注意力必须始终集中在交通状况。

作为驱动程序，请勿在行车记录仪。

根据以下规定安全地停止车辆

如果您想制定交通规则

更改行车记录仪的设置。

否则，您可能会分心交通状况，导致事故和伤害自己 and 他人。

G 警告

将行车记录仪安装在合格的地方专业讲习班。

对电子元件的修改，

他们的软件或接线可能会损害他们的功能和/或其他功能

网络组件。特别是，

与安全相关的系统也可以是

受到影响。结果，这些可能不再正常运行和/或可能危害

车辆的操作安全性。有发生事故和受伤的风险增加。

请遵守中的相关说明

您的车辆用户手册。

切勿篡改接线或电子设备组件或其软件。

! 在某些国家/地区，行车记录仪的操作或录音的使用可能受到限制或

可能根本不允许。因此，请

了解适用法规

关于视频监控和数据保护

在相关国家/地区使用之前

相机。遵守欧盟的条款

通用数据保护法规（EU

GDPR）。如有必要，您可以删除

支架中的相机。收起来

安全地

! 请勿将应用程序的实时预览用作停车时或旅途中的帮助。

! 请勿连接电源或终端设备通过USB连接到行车记录仪港口。否则，行车记录仪和/或连接的终端设备可能已损坏

安全LED

前后摄像头上的白色LED

表示正在录制。的

从车辆外部可以看到LED。

! 遵守法律法规

您希望在哪个国家经营

行车记录仪。在某些情况下，白色安全

LED可能不被允许。请

联系位于

这样的情况。捷豹路虎推荐

您使用Jaguar Land Rover Service

中央。

声音录制

如果是通过

行车记录仪，具体取决于设置

选择后，来自

车辆内部也可以制造。开关

如果需要，可以关闭这些；请参阅第20页。

! 遵守法律法规

您希望在哪个国家经营

行车记录仪。可能是音频

不允许录音。通知

车辆乘客是否有录音

发生。

! 您必须关闭录音

在您将车辆移交给

另一个人

一般注意事项

! 不同的辐射源，例如移动

手机，可能会干扰行车记录仪。

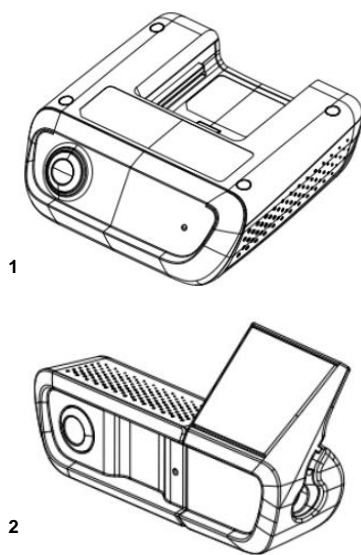
将辐射源的数量保持在

车辆越低越好。

! If the dashcam and/or the vehicle interior become very hot or in extremely cold conditions, the dashcam is switched off in order to protect the components.

Overview

Scope of delivery

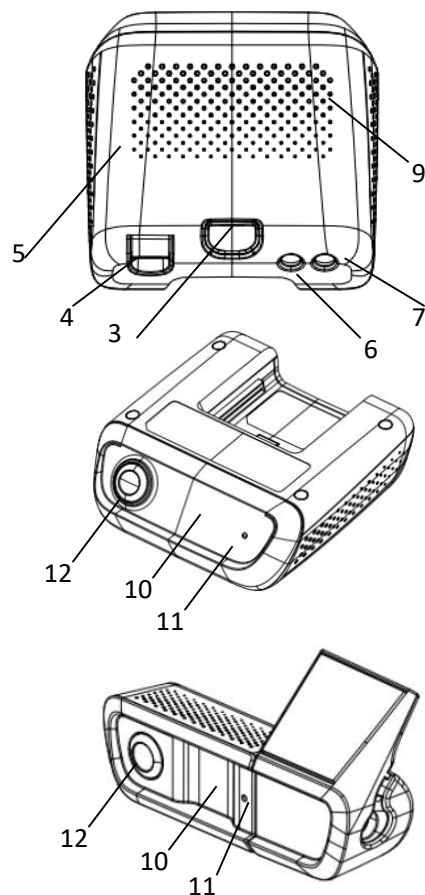


- (1) Front camera
- (2) Rear camera (optional; can only be operated in conjunction with the front camera)

i In as far as the rear camera is not included in your scope of delivery, you can purchase this from your Jaguar Land Rover Service Centre at a later date.

i Have the rear camera retrofitted at a qualified specialist workshop. Jaguar Land Rover recommends that you use a Jaguar Land Rover Service Centre for this purpose.

Details

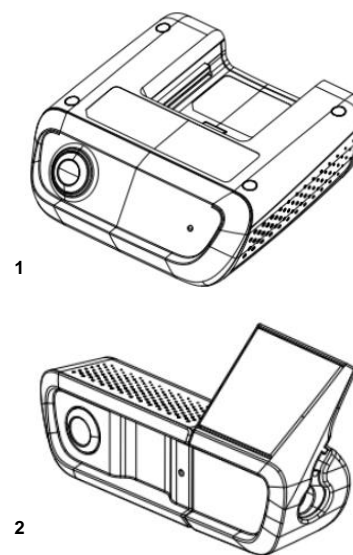


- (3) Button for unlocking and removing the camera from the bracket
- (4) microSD card slot
- (5) Speaker
- (6) On/off
- (7) Event recording
- (8) Wi-Fi Reset : On/Off + Event Recording
- (9) Microphone
- (10) Radar sensor system
- (11) Safety LED
- (12) Camera lens

! 如果行车记录仪和/或车辆内部变得非常热或极端寒冷的情况下，行车记录仪已切换以保护组件。

总览

供货范围

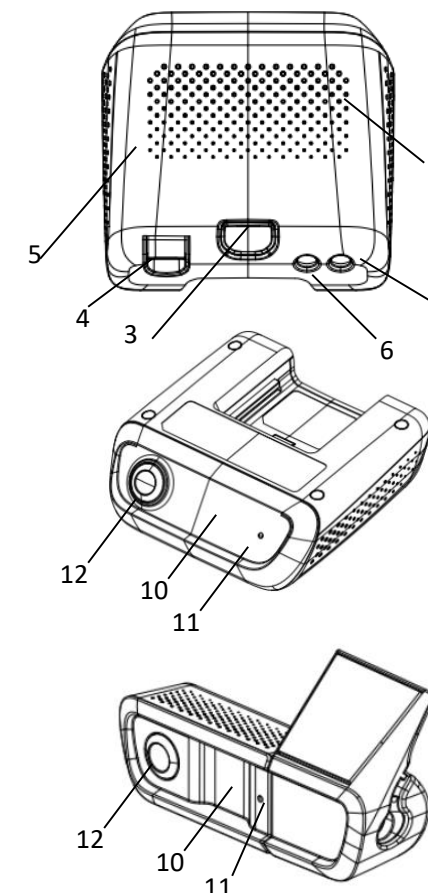


- (1) 前置摄像头
- (2) 后置摄像头（可选；只能是 与前面板配合使用 相机）

i 尽量不包括后置摄像头 在您的交货范围内，您可以从您的Jaguar Land Rover购买稍后再提供服务中心。 我将后置摄像头安装在合格的专家讲习班。

Jaguar Land Rover建议您 将Jaguar Land Rover服务中心用于这个目的。

细节



- (3) 用于解锁和移除的按钮 支架上的相机
- (4) microSD卡插槽
- (5) 扬声器
- (6) 开关
- (7) 事件记录
- (8) Wi-Fi 重置：开/关+事件记录麦克风
- (9) 麦克风
- (10) 雷达传感器系统
- (11) 安全LED
- (12) 镜头

Accessories

microSD card

A microSD card is essential to operating the dashcam. This can be obtained from a Jaguar Land Rover Service Centre or specialist store.

i Jaguar Land Rover recommends that you use a Jaguar Land Rover microSD card.

Technical requirements:

- ^ Storage capacity: 16 to 128 GB
- ^ Speed rating: at least 10
- ^ Write cycles: at least 10.000

Wi-Fi-capable end device

Dashcam settings are made a smartphone app; see page 24. You require a Wi-Fi-capable end device in order to be able to use this app.

i The apps also provide further additional functions.

Technical requirements:

- ^ Wi-Fi standard in accordance with IEEE 802.11 b/g/n/ac
- ^ Support for WPA2 encoding
- ^ Apple® iOS or Android™ operating system 1

1 Pre-requisite for the use of the smartphone app „Jaguar Land Rover Dashcam“

Preparing the cameras

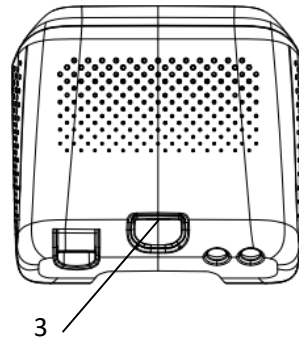
Removing/installing the camera

G WARNING

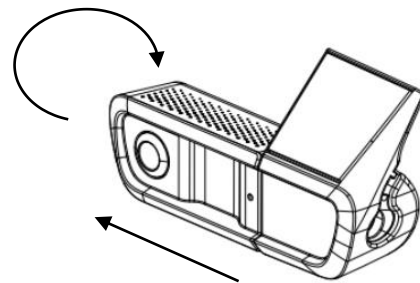
Check that the cameras are securely attached before every journey. Re-install the cameras again if necessary. Do not use damaged cameras.

Incorrectly installed or damaged cameras can, for example, come loose in the event of hard braking or acceleration, a sudden change of direction or an accident and be thrown around, thereby injuring vehicle occupants.

! Once removed, store the camera in a clean location and secure it against being thrown around.



To remove: Press button (3) and remove the camera from the bracket in the



配饰

microSD卡

microSD卡对于操作行车记录仪。这可以从捷豹路虎服务中心或专家商店。

我Jaguar Land Rover建议您使用Jaguar Land Rover microSD卡。=

技术要求：

- ^ 存储容量：16至128 GB
- ^ 速度等级：至少10
- ^ 写周期：至少10.000

具有Wi-Fi功能的终端设备

Dashcam设置被设置为智能手机应用程序；请参阅第24页。

您需要具有Wi-Fi功能的终端设备才能使用此应用程序。

I 这些应用程序还提供其他附加功能

技术要求：

- ^符合Wi-Fi标准 IEEE 802.11 b/g/n/ac

^支持WPA2编码

^ Apple® iOS或Android™操作系统1

1 Pre-requisite for the use of the smartphone app „Jaguar Land Rover Dashcam“

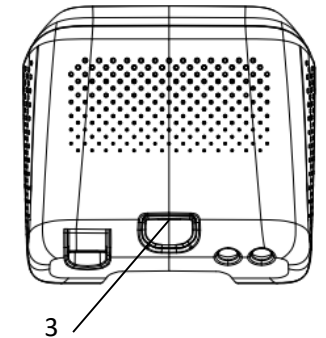
准备相机

拆卸/安装相机

G 警告

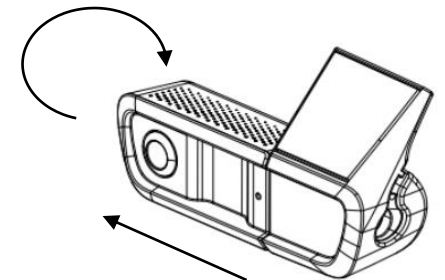
检查相机是否牢固附加在每次旅行之前。重新安装如有必要，请再次使用相机。不使用损坏的相机。相机安装不正确或损坏例如，在发生这种情况时可能会松动突然刹车或加速改变方向或发生事故乱扔，从而伤害车辆乘员。

!卸下相机后，请将其存放在清洁的地方并固定好以防被扔掉。



拆卸：按下按钮（3）

然后将摄像机从支架的支架中取出。



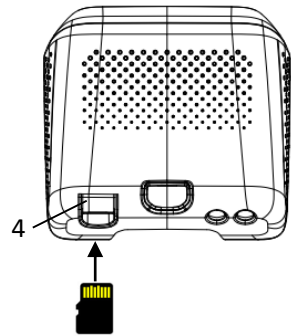
Inserting/removing the microSD card

DANGER

microSD cards are small parts. They can be swallowed and cause asphyxiation. This poses a risk of serious or even fatal injury. Store microSD cards where children cannot reach them. If a microSD card is swallowed, seek medical attention immediately.

Inserting a microSD card

× Remove the front camera from the bracket; see page 18.



× Insert the microSD card in to microSD card slot (4) as illustrated until the microSD card engages.

! The microSD card may first have to be formatted before it can be used with the dashcam. In such a case, the status LED lights up red; see page 20.

Removing a microSD card

! After removing the front camera, wait approximately 5 seconds so that the data can be stored on the microSD card.

× Remove the front camera from the bracket; see page 18.

× Press the microSD card.

The microSD card is ejected.

× Remove the microSD card.

插入/取出microSD卡

危险

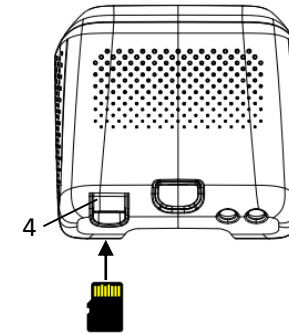
microSD卡很小。它们可能被吞下并引起窒息。这会造成严重甚至致命的伤害。

将microSD卡存放在儿童无法接触的地方。

如果误吞了microSD卡，请立即就医。

插入microSD卡

× 从支架上卸下前置摄像头；请参阅第18页。



× 如图所示,将microSD卡插入microSD卡插槽(4),直到microSD卡接合。

! microSD卡可能必须先进行格式化

然后才能与行车记录仪一起使用。

在这种情况下,状态LED会亮红灯。请参阅第20页。

卸下microSD卡

! 卸下前置摄像头后,请等待大约5秒钟



以便可以将数据存储在microSD卡上。

× 从支架上卸下前置摄像头;见第18页

× 按下microSD卡。microSD卡被弹出。



× 卸下microSD卡。

Control buttons for the front camera

	Function	Status LED
<p>On/off</p> 	<p>× <i>Press briefly</i> : switches the audio recording in the vehicle interior on/off</p> <p>Note: the selected setting will be retained the next time the engine is started.</p> <p>× <i>Press for longer than 3 seconds</i> : switches the dashcam on/off</p> <p>Note: the dashcam is switched on automatically when the ignition is switched on.</p>	<p><i>Green (lights up)</i> : dashcam is switched on; recording is active (including audio recording)</p> <p><i>Orange (lights up)</i> : dashcam is switched on; recording is active (without audio recording)</p> <p><i>Green (flashing)/orange (flashing)</i> : recording has been temporarily interrupted due to a present configuration of the web app/ smartphone app</p> <p><i>Red (lights up)</i> : microSD card requires formatting</p> <p><i>Red (flashing)</i> : error state</p> <p>Note: make sure that a suitable microSD card is installed in the dashcam. If the system continues to show an error, please contact a Jaguar Land Rover Service Centre to have the error resolved.</p>
<p>Event</p> 	<p>× <i>Press briefly</i> : triggers the event video</p> <p>× <i>Press for longer than 3 seconds</i> : triggers an event photo</p> <p>× <i>Pressing and holding all t2 buttons simultaneously (> 3 seconds) until a signal tone can be heard</i> : formats the microSD card</p> <p>Note: save all the data from your microSD card before formatting in order to prevent data loss!</p> <p>× <i>Pressing and holding both buttons simultaneously (> 6 seconds) until a signal tone can be heard</i> : resets the dashcam to factory settings</p>	<p><i>Orange (flashing)</i> : recording of an event video is active</p> <p><i>Green (lights up)</i> : Wi-Fi end device connected</p>

20 前置摄像头的控制按钮

前置摄像头的控制按钮

	功能	状态/LED
<p>On/off</p> 	<p>X 短按：打开/关闭车内的录音</p> <p>× 注意：下次启动引擎时所选设置将保留。</p> <p>X 按住3秒钟以上： 打开/关闭行车记录仪</p> <p>注意： 点火开关打开时 行车记录仪会自动打开。</p>	<p>绿色（点亮）：行车记录仪已开启；录音处于活动状态（包括录音）</p> <p>橙色（点亮）：行车记录仪已开启；录音处于活动状态（不录音）</p> <p>绿色（闪烁）/橙色（闪烁）：由于Web应用程序/智能手机应用程序的当前配置，录制已暂时中断</p> <p>红色（点亮）：microSD卡需要格式化</p> <p>红色（闪烁）：错误状态</p> <p>注意： 确保在行车记录仪中安装了合适的microSD卡。如果系统继续显示错误，请与Jaguar Land Rover服务中心联系以解决错误。</p>
<p>事件</p> 	<p>X 短按：触发事件视频</p> <p>X 按住3秒钟以上：触发事件照片</p> <p>X 同时按住所有t2按钮（> 3秒） 直到听到信号音：格式化microSD卡</p> <p>注意： 格式化之前 请保存microSD卡中的所有数据 以防止数据丢失！</p> <p>X 同时按住两个按钮（> 6秒）直到听到信号音：将行车记录仪重置为出厂设置</p>	<p>橙色（闪烁）：事件记录 视频正在播放</p> <p>绿色（点亮）：已连接Wi-Fi终端设备</p>

Deleting recordings

! Save event recordings at regular intervals, particularly after an accident, parking bump or similar.

All recordings are saved on the microSD card in specifically designated areas; see page 25. A difference is made between driving and parked mode and between automatic recordings and event recordings.

As soon as the relevant storage area is full, the oldest recording is overwritten by the most recent recording.

To manually delete recordings, the microSD card must be formatted; see page 20. In doing so, all storage areas on the microSD card will be deleted.

Driving mode

Recordings in infinite loop

As soon as the vehicle's ignition is switched on, the dashcam starts the video recording (front and rear camera) and the audio recording in the vehicle interior.

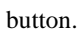
Furthermore, depending on the setting, the following data are recorded and saved using the sensor system installed in the dashcam:

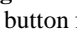
- ^ Speed/acceleration
- ^ Date/time
- ^ Location

i The settings can be made in the web app or the smartphone app.

Event recordings

x **Automatically triggered event video:** if the sensor system in the dashcam detects a vibration

x **To manually trigger the event video:** Briefly press the  button.

x **To manually trigger the event photo:** press the  button for longer than 3 seconds.

Settings

G WARNING

Sporty driving (car racing in particular) is only permitted on circuits intended for this purpose.

You could otherwise endanger yourself or other road users.

- x Connect the end device with the dashcam; see page 23.
- x Open the web app or the smartphone app; see page 24.
- x Open the settings menu.
- x Select the setting and confirm:
 - ^ recordings from the front and rear camera in infinite loop and recordings when vibrations are detected

Note: if no rear camera is installed, the front camera records at double the frame rate

- ^ Event recordings by the front and rear camera, only when vibrations are detected
- ^ Recordings by the front camera for sporty driving (with double the frame rate)

Note: rear camera and vibration sensor (automatic event recordings) are deactivated. If required, ensure that the setting is set back to its previous state after the sporty driving.

i Manual event recordings are always possible regardless of the selected setting in driving mode.

删除录音

! 定期保存事件记录，尤其是在发生事故，停车颠簸或类似情况之后。

所有记录都保存在microSD卡上专门指定的区域；请参阅第25页。

在行驶模式和停车模式之间以及自动记录和事件记录之间有所不同。

一旦相关存储区域已满，最早的记录将被最新的记录覆盖。

要手动删除录音，必须格式化microSD卡。请参阅第20页。这样做将删除microSD卡上的所有存储区域。

驾驶模式

无限循环录音

一旦打开车辆的点火开关，行车记录仪就会开始在车辆内部进行视频记录（前后摄像头）和音频记录。

此外，根据设置，使用行车记录仪中安装的传感器系统记录并保存以下数据

- ^ 速度/加速度
- ^ 日期/时间
- ^ 位置

i 可以在Web应用程序或智能手机应用程序中进行设置。

活动录像

x 自动触发的事件视频：如果行车记录仪中的传感器系统检测到振动

x 手动触发事件视频：短按按钮。

x 要手动触发事件照片：按住按钮3秒钟以上。

设定值

G 警告

运动型驾驶（尤其是赛车）仅允许在用于此目的的赛道上使用。

否则，您可能会危害自己或其他道路使用者。

x 将终端设备与行车记录仪连接；请参阅第23页。

x 打开Web应用程序或智能手机应用程序；请参阅第24页。

x 打开设置菜单。

x 选择设置并确认：

^ 前后摄像头的无限循环录制以及检测到振动时的录制

注意：如果未安装后置摄像头，则前置摄像头将以两倍的帧频记录

^ 仅在检测到振动时才通过前后摄像头录制事件

^ 用于运动驾驶的前置摄像头录制（帧速率加倍）

注意：后置摄像头和振动传感器（自动事件记录）已停用。

如果需要，请确保在运动驾驶后将该设置恢复为先前的状态。

i 无论在行驶模式中选择了什么设置，始终可以进行手动事件记录。

Parking mode

! In order to maintain the vehicle's functionality and to protect the vehicle battery, radar and video monitoring are initially switched off if necessary. If vibrations are detected, event recordings are continued, however this function may also be switched off at a later point in time in order to ensure the starting ability of your vehicle amongst other things.

Monitoring range of the sensors

If radar and video monitoring are active, the areas (a few metres) in front of and behind the vehicle are monitored. Monitoring of the area to the rear of the vehicle is only possible if the rear camera is installed.

Recordings when movement is detected

If a vehicle is parked and the ignition switched off, the cameras only record if the radar or video monitoring detects movement in the area around the vehicle.

In such cases, the dashcam records video footage (front and rear camera).

Furthermore, depending on the setting, the following data are recorded and saved using the sensor system installed in the dashcam:

- ^ Speed/acceleration
- ^ Date/time
- ^ Location

i The settings can be made in the web app or the smartphone app.

With the help of the radar and video monitoring, the cameras are in a position to start recording even before an incident actually occurs.

Event recordings

- x **Automatically triggered event video:** if the sensor system in the dashcam detects a vibration

Settings

! **Vehicles with infrared glazing/heated windscreen:** activate the video monitoring for monitoring the vehicle when parked. Radar monitoring is not possible due to the characteristics of the vehicle's glazing.

! If the vehicle battery charge level is low, it is recommended to deactivate parked vehicle monitoring.

x Connect the end device with the dashcam; see page 23.

x Open the web app or the smartphone app; see page 24.

x Open the settings menu.

x Select the setting and confirm:

^ Radar monitoring and recordings when movement is detected and recordings by the front and rear camera when vibrations are detected

^ Video monitoring and recordings when movement is detected and recordings by the front and rear camera when vibrations are detected (duration of monitoring extremely curtailed)

^ Event recordings by the front and rear camera, only when vibrations are detected (longest period of monitoring)

^ Parked vehicle monitoring deactivated

停车模式

! 为了保持车辆的功能并保护车辆的电池，必要时首先关闭雷达和视频监控。

如果检测到振动，将继续记录事件，但是在以后的某个时间点，该功能也可以关闭，以确保车辆的起步能力。

传感器监控范围

如果雷达和视频监控处于活动状态，则会监控车辆前后的区域（几米）。仅在安装了后置摄像头的情况下，才可以监视车辆后方的区域。

检测到移动时的记录

如果车辆停放且点火开关关闭，则摄像机仅在雷达或视频监控器检测到车辆周围区域移动时进行记录。

在这种情况下，行车记录仪会记录视频镜头（前后摄像头）。

此外，根据设置，使用行车记录仪中安装的传感器系统保存并保存以下数据：

- ^ 速度/加速度
- ^ 日期/时间
- ^ 位置

i 可以在Web应用程序或智能手机应用程序中进行设置。

借助雷达和视频监控，即使实际发生事故之前，摄像机也可以开始记录。

活动录像

x 自动触发的事件视频：

如果行车记录仪中的传感器系统检测到振动
设定值

! **装有红外玻璃/加热挡风玻璃的车辆：**

激活视频监控功能，以在停车时监控车辆。由于车辆玻璃的特性，无法进行雷达监视。

! 如果车辆电池电量低，建议停用停放的车辆监控。

x 将终端设备与行车记录仪连接；

请参阅第23页。

x 打开Web应用程序或智能手机应用程序；

请参阅第24页。

x 打开设置菜单。

x 选择设置并确认：

^ 检测到运动时进行雷达监视和记录

检测到振动时通过前后摄像头进行记录

^ 当检测到运动时进行视频监控和记录

并在检测到振动时通过前后摄像头进行记录
(监视时间大大缩短)

^ 仅在检测到振动时（前后监视时间最长）

通过前后摄像头记录事件

^ 停放的车辆监控已停用

Establishing a Wi-Fi connection between an end device and the dashcam

If you wish to use the functionality of the web app or the smartphone app, you must first authorise a Wi-Fi-compatible end device on the dashcam.

i Only one end device can be connected to the dashcam. It is not possible to connect several end devices with the dashcam simultaneously.

Encrypting Wi-Fi (initial installation)

! During initial installation, the Wi-Fi frequency of the dashcam is changed to 5 GHz (except for Japan). If no Wi-Fi connection to the end device can be established, the Wi-Fi can, if necessary, be changed back to 2.4 GHz as not all end devices support 5 GHz. This change is made by resetting the dashcam to factory settings; see page 20.

! If the Wi-Fi password is lost, the dashcam must be reset to factory settings (see page 20) and initial installation must be carried out again.

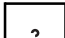
i During initial installation, the operating language for the web app must be selected. The selected language is then adopted for the spoken messages issued by the dashcam. In order to change the operating language, the dashcam must be reset to the factory settings (see page 20) and the initial installation must be carried out again.

x Switch on the vehicle's ignition.

x Press the  button.

x Switch on the Wi-Fi on the end device and search for available Wi-Fi devices; see the operating instructions for the relevant end device.

A list of available Wi-Fi devices appears.

 Wi-Fi Reset : On/Off + Event Recording

X JLR Dashcam XXXXXX“ should be selected from the list.

An unsecured Wi-Fi connection between the dashcam and the end device is established.

x In the Internet browser on the end device, open the **http://dash.cam** page. The Wi-Fi password is shown.

x Take note of/copy the Wi-Fi password shown and determine the system language before confirming.

The dashcam is restarted.

Authorising an end device and connecting to the dashcam

! First carry out the initial installation; see page 23.

x Switch on the vehicle's ignition.

x Press the **Wifi** button.

x Search for available Wi-Fi devices on the end device.

A list of available Wi-Fi devices appears.

x „JLR Dashcam XXXXXX“ should be selected from the list.

x Enter the Wi-Fi password and confirm.

A secured Wi-Fi connection between the dashcam and the end device is established.

i For the duration of an active Wi-Fi connection between the end device and the dashcam, an Internet connection may not be available on the end device. Depending on the end device, the mobile data connection may also be deactivated. If necessary, switch off Wi-Fi on the dashcam; see page 20.

Activating/deactivating spoken messages

! Safety and function-relevant spoken messages, e.g. that no microSD card is inserted, cannot be deactivated.

在终端设备之间建立Wi-Fi连接

在终端设备和行车记录仪之间建立Wi-Fi连接

如果您想使用Web应用程序或智能手机应用程序的功能，则必须首先在以下位置授权与Wi-

Fi兼容的终端设备

行车记录仪。

i 行车记录仪只能连接一个终端设备。不能同时将多个终端设备与行车记录仪连接。

加密Wi-Fi (初始安装)

! 在初始安装期间，行车记录仪的Wi-Fi频率更改为5

GHz (日本除外)。 如果无法建立与终端设备的Wi-Fi连接，则可以将Wi-Fi更改回2.4

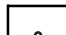
GHz，因为并非所有终端设备都支持5

GHz。 可以通过将行车记录仪重置为出厂设置来进行此更改。 请参阅第20页。

! 如果Wi-Fi密码丢失，则必须将行车记录仪重置为出厂设置 (请参阅第20页)，并且必须重新进行初始安装。

i 在初始安装期间，必须选择Web应用程序的操作语言。 然后，行车记录仪发出的口语消息将采用所选的语言。 为了更改操作语言，必须将行车记录仪重置为出厂设置 (请参阅第20页)，并且必须再次执行初始安装。

x 接通车辆的点火开关。

x 按下  按钮。

x 打开终端设备上的Wi-Fi并搜索可用的Wi-Fi设备；请参阅相关终端设备的使用说明书。

出现可用的Wi-Fi设备列表。

 Wi-Fi重置：开/关+事件记录

X JLR Dashcam XXXXXX“应为列表中选择的。

在行车记录仪和终端设备之间建立了不安全的Wi-Fi连接。

x 在终端设备上的Internet浏览器中，打开http://dash.cam页面。显示Wi-Fi密码。

x 记下/复制显示的Wi-Fi密码并在确认之前确定系统语言。

行车记录仪将重新启动。

授权终端设备并连接到行车记录仪

! 首先进行初始安装；请参阅第23页。

x 接通车辆的点火开关。

x 按下Wifi按钮。

x 在终端设备上搜索可用的Wi-Fi设备。出现可用的Wi-Fi设备列表。

x 应从列表中选择“ JLR Dashcam XXXXXX”。

x 输入Wi-Fi密码并确认。

在行车记录仪和终端设备之间建立了安全的Wi-Fi连接。

i 在终端设备和行车记录仪之间进行有效的Wi-Fi连接期间，

终端设备上可能无法使用Internet连接。

根据终端设备的不同，

移动数据连接也可能被禁用。

如有必要，请关闭行车记录仪上的

Wi-Fi；请参阅第20页。激活/禁用语音消息

! 与安全和功能相关的语音消息，

例如未插入microSD卡，无法将其停用。

- X Connect the end device with the dashcam; see page 23.
- X Open the web app or the smartphone app; see page 24.
- X Open the settings menu.
- X **To deactivate spoken messages** : select the lowest volume.
- X **To activate spoken messages** : select a volume.

Web app

- X Connect the end device with the dashcam; see page 23.
- X In the Internet browser on the end device, open the <http://dash.cam> page.

Smartphone app „Jagular Land Rover Dashcam“

To use the free smartphone app, it must first be installed on your Wi-Fi-enabled end device.

- ! Downloading may incur additional costs depending on your mobile phone contract. For more detailed information contact your mobile network provider.
- X Open Apple® App Store or Google Play™¹ on the end device.
- X Search for the „Jagular Land Rover Dashcam“ smartphone app and install it on the end device.
- X Connect the end device with the dashcam; see page 23.
- X Open the „Jagular Land Rover Dashcam“ smartphone app.

Playing back recordings

Various options are available for the playback: It is possible to play back recordings on an end device 2 and via the web app or the smartphone app.

¹ Google Play is a trademark of Google Inc.
² An adapter may be required in order that the microSD card can be inserted into an end device.

Playback on an end device

- ! For playback, you need a player which can play two video streams simultaneously.
- X Remove the microSD card from the dashcam; see page 19
- X Insert the microSD card into the end device 2 ; see the operating instructions of the relevant end device.
- X Select the microSD card and start playback.

Data protection

- ! Data is not shared automatically. For the purpose of protecting your data, pay attention to who has access to the microSD card and authorised end devices.

- X 将终端设备与行车记录仪连接；请参阅第23页。
- X 打开Web应用程序或智能手机应用程序；请参阅第24页。
- X 打开设置菜单。
- X 要停用语音留言：选择最低音量。
- X 要激活语音留言：选择一个音量。

网络应用

- X 将终端设备与行车记录仪连接；请参阅第23页。
- X 在终端设备上的Internet浏览器中，打开<http://dash.cam>页面。

智能手机应用“Jagular Land Rover Dashcam”

要使用免费的智能手机应用程序，必须首先将其安装在支持Wi-Fi的终端设备上。

- ! 根据您的手机合同，下载可能会产生额外费用。有关更多详细信息，请与您的移动网络提供商联系。
- X 在终端设备上打开Apple®App Store 或 Google Play™¹。

- X 搜索“Jagular Land Rover Dashcam”智能手机应用程序 并将其安装在终端设备上。

- X 将终端设备与行车记录仪连接；请参阅第23页。
- X 打开“Jagular Land Rover Dashcam”智能手机应用程序。

播放录音

播放录音可以使用各种选项进行播放：
 可以通过Web应用程序或智能手机应用程序在终端设备2上播放录音。

¹ Google Play是Google Inc.的商标。
²可能需要适配器才能将microSD卡插入终端设备。

在终端设备上播放

! 要播放，
 您需要一个可以同时播放两个视频流的播放器。

- X 从行车记录仪中取出microSD卡；见第19页

- X 将microSD卡插入终端设备2；请参阅相关终端设备的使用说明书。

- X选择microSD卡并开始播放。

数据保护

! 数据不会自动共享。
 为了保护您的数据，请注意谁有权访问microSD卡和授权的终端设备。

Zài zhōngduān shèbèi shàng bōfàng

Resolution	Front:FullHD(1920x1080) Rear:FullHD(1920x1080)
Framerate	30fps(modewithfrontandrearcamera) 60fps(modeforsportydriving/modewithoutrearcamera)
Apertureangle	Front:131° (diagonal),108° (horizontal),69° (vertical) Rear:153° (diagonal),125° (horizontal),65° (vertical)
Container	MPEG-4
Videocodec	MPEG-4AVC(H.264)
Audiocodec	MPEG-4AAC
Videolength	Drivingmode:150MBcorrespondstoapprox.1minute Parkedmode:50MBcorrespondstoapprox.20seconds

English (United Kingdom)

Length of the recording in the respective storage area

Sizeof microSD card	Drivingmode (recordingsin infiniteloop)	Drivingmode (event recordings)	Parkedmode (recordings whenmovement isdetected)	Parkedmode (event recordings)
32GB	approx. 132minutes	approx. 44minutes	approx. 22minutes	approx. 11minutes
64GB	approx. 264minutes	approx. 88minutes	approx. 44minutes	approx. 22minutes

Monitoring times (parked mode)

Radarmonitoring+event recordingsintheeventof vibrations	Videomonitoring+event recordingsintheeventof vibrations	Eventrecordingsinthe eventofvibrations
^Radarmonitoringupto 12hours ^Afterradarmonitoringhas beenautomatically deactivatedupto24hours eventrecordingsinthe eventofvibrations	^Videomonitoringupto ½ hour ^Aftervideomonitoringhas beenautomatically deactivated,event recordingsintheeventof vibrationsforupto24hours	Upto6daysofevent recordingsintheeventof vibrations

i The monitoring time is shortened with every recording made.

i Notes on successive deactivation of monitoring; see page 22.

技术数据

解析度	Front:FullHD(1920x1080) Rear:FullHD(1920x1080)
帧率	30fps(前后摄像头模式) 60fps(运动驾驶模式/不带后置摄像头的模式)
孔径角	Front:131° (diagonal),108° (horizontal),69° (vertical) Rear:153° (diagonal),125° (horizontal),65° (vertical)
容器	MPEG-4
视频编解码器	MPEG-4AVC(H.264)
音频编解码器	MPEG-4AAC
影片长度	驾驶模式:150MBcorrespondstoapprox.1分钟 停车模式:50MBcorrespondstoapprox.20秒

各个存储区中记录的长度

尺寸 微型SD 卡	驾驶模式 (记录在 无限循环)	驾驶模式 (事件 录音)	停放模式 (录音 运动时 被检测到)	停放模式 (事件 录音)
32GB	大约 132分钟	大约 44分钟	大约 22分钟	大约 11分钟
64GB	大约 264分钟	大约 88分钟	大约 44分钟	大约 22分钟

监视时间 (停车模式)

雷达监控+事件 发生以下情况时的录音 震动	视频监控+事件 发生振动时进行录音	发生振动时的事件记录
^雷达监视upto 12小时 ^在振动情况下, 雷达监控功能会自动取消长达24小时的事件记录	^视频监控最高 ½ 小时 ^视频监控自动停用后, 事件 振动情况下长达24小时的录音	振动时长达6天的事件记录

i每次录制都会缩短监视时间。

i关于连续停用监视的注意事项; 请参阅第22页。

RF Specification**WiFi**

2.4GHz band (Only Front Model)

Supported Protocol and Standard :

IEEE 802.11n,

Frequency Range : 2412MHz ~ 2462MHz

Amount of Working channel : 1, 6, 11

Channel Bandwidth : 20MHz

Modulation : OFDM

5 GHz band (Only Front Model)

Supported Protocol and Standard :

IEEE 802.11ac,

Frequency Range : 5775 MHz

Amount of Working channel: 155

Channel Bandwidth : 80MHz

Modulation : OFDM

Radar

Frequency Range : 24050~24250 MHz

Modulation : FMCW

General

Power Supply : DC 12V

Temperature Range : -40°C ~ 85°C

Key to symbols

G WARNING

A warning notice informs you of possible risks to your health or life.

H Environmental note

Jagular Land Rover AG has committed itself to comprehensive protection of the environment.

The objectives are for the natural resources which form the basis of our existence on this planet to be used sparingly and in a manner which takes the requirements of both nature and humanity into account.

! Text marked in this way alerts you to the risk of possible material damage or malfunctions.

i Notes marked in this way contain useful tips and additional information.

x These items explain individual operating steps.

^ Bullet lists present you with possible selections.

Congratulations on your new Jagular Land Rover Dashcam.

These Operating Instructions are valid for vehicles equipped with a Jagular Land Rover Dashcam. They provide important information and explain how to operate it.

The dashcam has been specially developed for use in road traffic and records the traffic situation during a journey.

Before you drive off for the first time, read these Operating Instructions carefully and familiarize yourself with the dashcam. For your own safety and for a longer service life of the device, please follow the instructions and warning notices in these Operating Instructions. Failing to do so may lead to damage to the vehicle and the dashcam as well as personal injury.

Jagular Land Rover is continuously updating its dashcam to the state of the art and therefore reserves the right to introduce changes in design, equipment and technical features. For this reason, you cannot base any claims on the illustrations or descriptions in these

符号的关键

G警告

警告提示会告知您可能对健康或生命造成的危险。

H环境注意事项

Jagular Land Rover AG致力于全面保护环境。

我们的目标是使构成我们在这个星球上存在的基础的自然资源得到节制地使用，并考虑到自然和人类的需求。

! 以这种方式标记的文本提醒您可能造成材料损坏或故障的风险。

i以这种方式标记的笔记包含有用的提示和其他信息。

x 这些项目说明各个操作步骤。

^ 项目符号列表为您提供了可能的选择。

恭喜，您有了新的Jagular Land Rover Dashcam。

这些操作说明适用于装有Jagular Land

Rover Dashcam的车辆。他们提供重要信息并解释如何操作。行车记录仪是专门为道路交通而设计的，并记录交通情况

旅途中的情况。第一次开车前，请先阅读

请仔细阅读这些操作说明，并熟悉行车记

录仪。为了您自己的安全并延长使用寿命

设备，请遵循这些操作说明中的说明和警

告提示。否则可能会导致损坏车辆和行车记录仪以及人身伤害。Jagular Land Rover会不断将行车记录仪更新为最新技术，因此保留对车辆进行更改

的权利。设计，设备和技术功能。因此，您不能基于这些插图或说明中的任何要求。

English (USA)

Declarations of conformity

FCC

This device complies with Part 15 of the FCC Rules. Operation is subject to the following two conditions: (1) this device may not cause harmful interference, and (2) this device must accept any interference received, including interference that may cause undesired operation.

CAUTION : Any Changes or modifications not expressly approved by the manufacturer could void the user's authority to operate the equipment.

This equipment has been tested and found to comply with the limits for a Class B digital device, pursuant to part 15 of the FCC Rules. These limits are designed to provide reasonable protection against harmful interference in a residential installation. This equipment generates, uses and can radiate radio frequency energy and, if not installed and used in accordance with the instructions, may cause harmful interference to radio communications. However, there is no guarantee that interference will not occur in a particular installation. If this equipment does cause harmful interference to radio or television reception, which can be determined by turning the equipment off and on, the user is encouraged to try to correct the interference by one or more of the following measures:

- ^ Reorient or relocate the receiving antenna.
- ^ Increase the separation between the equipment and receiver.
- ^ Connect the equipment into an outlet on a circuit different from that to which the receiver is connected.
- ^ Consult the dealer or an experienced radio/TV technician for help.

The antenna(s) must be installed such that a minimum separation distance of at least 20 cm is maintained between the radiator (antenna) and all persons at all times.

CANADA

HVIN : Jaguar Dash Cam Front / Land Rover Dash Cam Front
IC : 22539-JLRDASHCAM

HVIN: Jaguar Dash Cam Rear / Land Rover Dash Cam Rear
IC : 22539-JLRDASHCAMR

IC Warning Statement

This device complies with Industry Canada licence-exempt RSS standard(s). Operation is subject to the following two conditions: (1) this device may not cause interference, and (2) this device must accept any interference, including interference that may cause undesired operation of the device.

Le présent appareil est conforme aux CNR d'Industrie Canada applicables aux appareils radio exempts de licence. L'exploitation est autorisée aux deux conditions suivantes : (1) L'appareil ne doit pas produire de brouillage, et (2) L'utilisateur de l'appareil doit accepter tout brouillage radioélectrique subi, même si le brouillage est susceptible d'en compromettre le fonctionnement.

IC Radiation Exposure Statement

This equipment complies with IC RF Radiation exposure limits set forth for an uncontrolled environment. This device and its antenna must not be co-located or operating in conjunction with any other antenna or transmitter.

This equipment should be installed and operated with a minimum distance of 20cm between the radiator and your body.

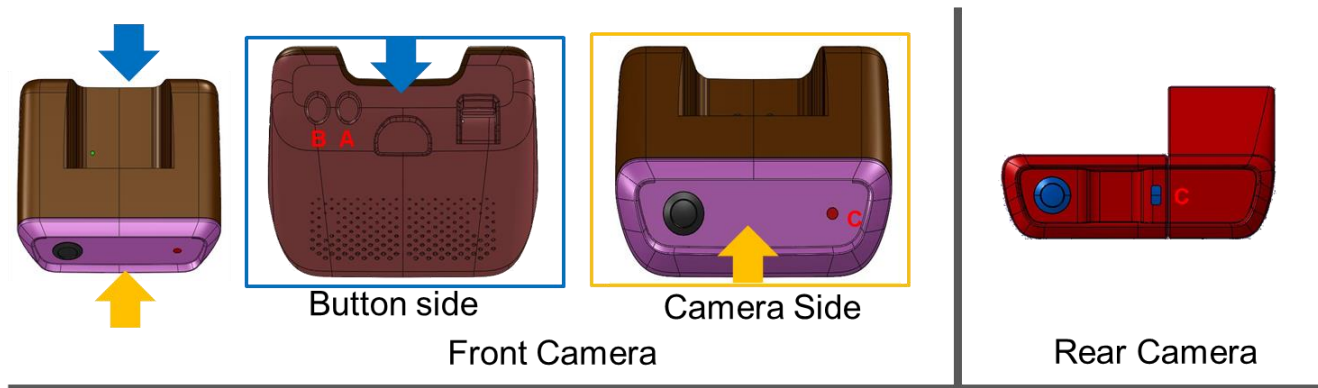
Cet équipement est conforme aux limites établies par Industrie Canada en matière d'exposition aux radiofréquences dans un environnement non contrôlé. Cet appareil et son antenne ne doivent pas être colocalisés ou fonctionner en conjonction avec tout autre antenne ou émetteur.

Cet équipement doit être installé et utilisé avec une distance minimale de 20cm entre le radiateur et votre corps.

CHINA
CMIIT ID :

- (一) 符合“微功率短距离无线电发射设备目录和技术要求”的具体条款和使用场景，采用的天线类型和性能，控制、调整及开关等使用方法
- (二) 不得擅自改变使用场景或使用条件、扩大发射频率范围、加大发射功率（包括额外加装射频功率放大器），不得擅自更改发射天线
- (三) 不得对其他合法的无线电台（站）产生有害干扰，也不得提出免受有害干扰保护
- (四) 应当承受辐射射频能量的工业、科学及医疗（ISM）应用设备的干扰或其他合法的无线电台（站）干扰
- (五) 如对其他合法的无线电台（站）产生有害干扰时，应立即停止使用，并采取措施消除干扰后方可继续使用
- (六) 在航空器内和依据法律法规、国家有关规定、标准划设的射电天文台、气象雷达站、卫星地球站（含测控、测距、接收、导航站）等军民用无线电台（站）、机场等的电磁环境保护区域内使用微功率设备，应当遵守电磁环境保护及相关行业主管部门的规定
- (七) 禁止在以机场跑道中心点为圆心、半径5000米的区域内使用各类模型遥控器。
- (八) 微功率设备使用时温度和电压的环境条件。

Additional information of LEDs and buttons for the test LAB. (测试实验室的LED和按钮的附加信息)



RUSSIA



12VDC 0.5A
Manufactured by : Mobile Appliance Inc. / 401 Simin Daero, Dongan- Gu, Anyang-Si, Gyeonggi-Do Korea
Manufacture Date : 12-2016 Country of Origin : South Korea

Australia

New Zealand



R-NZ

Japan



R 201-163293 (Front Camera)



R 201-163293 (Rear Camera)

Item	Name	Button Function			Color	LED		
		Short Press (~3s)	Long Press (3s~)	*Repeated Press (6 times within 3s)		Definition		
						On	Blink	Off
A	Power & MIC Button	Mic Off/On (Upon release)	Power Off/On (On time)	*Repeated Press SD Card Format	Red	Power On + Mic Off	Error Status (Diagnostic result is error)	Power Off
					Green	Power On +Mic On	N/A	Power Off
					Orange	SD Card Format (B LED Off)	N/A	N/A
B	Event Button	Manual Recording (Upon release)	Photo Shot (On time)	N/A	Red	N/A	Event Recording (All event recording)	N/A
					Green	WiFi Connected	N/A	WiFi Not Connected
					Orange	N/A	N/A	N/A
A+B	Combination	WiFi Reset (Upon release)	Diagnostic Mode (On time)	N/A	Red	N/A	N/A	N/A
					Green	N/A	N/A	N/A
					Orange	In Diagnostic Mode	FW update	
C	Security LED (Front & Rear Cam)	N/A			White	Driving Mode / Parking Mode Wake Up	Recording	Parking Mode / Power Off