

## Audi Head-Up Display with TOLED Screen Manual



German  
English  
Spanish  
French  
Italian  
Swedish  
Portuguese  
Dutch  
Polish  
Czech  
Turkey  
Korean

### Table of Contents

Please read first! .....	1
General product information .....	1
Safety notes.....	2
Using the smartphone.....	2
Operating temperature .....	2
Display brightness.....	2
Cleaning / care.....	2
Product description.....	3
Screen display .....	4
Getting Started with the Application .....	4
Connecting a smartphone to the Head-Up Display .....	4
Head-Up Display App .....	5
Technical data.....	7
Scope of delivery.....	7
Disposal of electronic devices (WEEE directive) .....	7
Imprint.....	7
Service .....	7
Simplified EU declaration of conformity in all languages	9

### Please read first!

#### General product information

Ensure that only the original parts included in the scope of delivery are used during installation of the AUDI Head-Up Display (AUDI HUD). Installation should be carried out by an AUDI partner in order to ensure that the system is installed correctly. In addition, the installation must be carried out in accordance with the available AUDI Genuine fitting instructions.

Read the manual carefully before the initial activation of your AUDI HUD.

## Safety notes



To prevent the driver from becoming distracted, ensure that the smartphone and the associated app are not operated during the journey.



AUDI AG has no access to the data obtained using the AUDI HUD or to the app and any data saved on the customer's smartphone. In addition, the data is not saved in the customer's vehicle.

The connection between the customer's smartphone and the AUDI HUD is encrypted with WPA/WPA2 and can be altered at any time by the customer.

Please observe and abide by all subsequent safety notes for your own safety.

## Using the smartphone

Please do not operate your smartphone while driving.

To avoid being distracted during the journey, please connect the Head-Up Display to the smartphone before starting the engine or departure. This also applies when entering your destination.

## Operating temperature

If the Head-Up Display should exceed the permissible operating temperature, your Head-Up Display will only be turned on with reduced brightness for 3 minutes.

If the ignition is turned off while parking and the Display temperature is too high, the display screen will open to cool down.

## Display brightness

The brightness of the HUD automatically adapts to the brightness of the instrument panel lighting of your vehicle. However, it can still be manually adapted via the instrument panel light control in the vehicle or via the settings in the "Head-Up Display App".

Note: Changes of the brightness of the HUD via the instrument panel light control only work when parking lights or low beam headlights are switched on.

For information regarding the regulation of the instrument panel lighting, please refer to the instructions in your AUDI vehicle manual.

Please make sure that the display is not too bright when driving in the dark, so that your vision is not impaired.

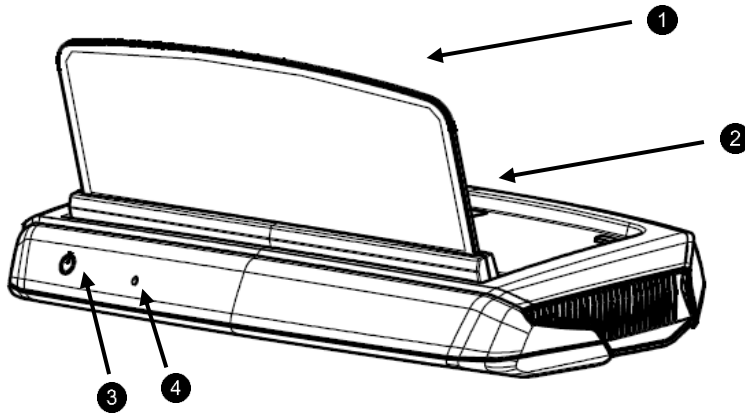
## Cleaning / care

We recommend that you use a soft, dry cloth for cleaning the HUD.

In case of heavier soiling, it is advisable to moisten the cloth with a little water.

## Product description

The HUD shows only driving-relevant information. It automatically turns on with the ignition. Settings of the HUD can be adjusted by using the free "Head-Up Display App".



1. Display: can always be closed or adjusted by pushing it down or up
2. Light Sensor: for display brightness control
3. ON/OFF power button: to manually open and close the Head-Up Display while the ignition is turned on
4. Reset hole: to reset the Head-Up Display to factory settings and also to reset WLAN settings

## Screen display



1. Distance to destination ①
2. Estimated time of arrival ②
3. Route and turning instructions ③
4. Distance to next turning manoeuvre ④
5. Distance bar to next turning manoeuvre ⑤
6. ACC ⑥
7. Lane departure Warning ⑦
8. Speed of your vehicle ⑧
9. Speed limit information
10. GRA

## Getting Started with the Application

The following system prerequisites are necessary in order to use the smartphone functions:

Android: from Android 4.0 and higher

iOS: devices from iPhone 5 with iOS 6 and higher

Install the free AUDI AG "Head-Up Display App" on your smartphone. It can be found in the respective app store: iTunes (iOS) or Google Play store (Android).

The vehicle data is automatically displayed when the ignition is switched on. Data from a smartphone can only be displayed when it is connected.

Prior to use, obtain information about the legal regulations in your place of destination.

## Connecting a smartphone to the Head-Up Display

After the successful installation of the "Head-Up Display App", you have to connect your smartphone to the Head-Up Display (WLAN).

Switch on the ignition of your vehicle to start the Head-Up Display.

Start the Application in your smartphone. Under "WLAN" settings in your smartphone, search for the WLAN Access Point with the SSID "AUDIHUD" and connect your smartphone.

The standard password is: "1234567890"

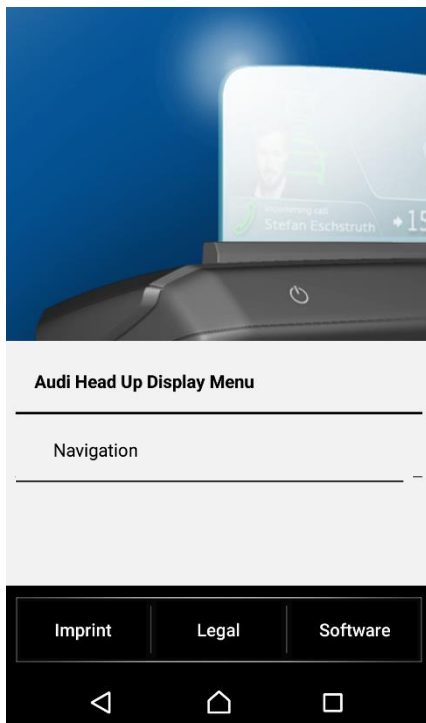
Please change the default password immediately under AUDI HUD App>Settings>Wi-Fi>. After changing your password, you must log in with the new password to the Wi-Fi hotspot (SSID) "AUDIHUD".

You can find the detailed manual with an explanation of each function in the smartphone app under "Software".

## Head-Up Display App

Various settings can be changed (see illustrations).

### Main Menu



- 1 Settings (Features)
- 2 Navigation (optional)
- 3 Imprint, Legal (Terms of Use, Privacy and License), Software (Version, Manual, Firmware Update)

## Settings

**Settings** HUD

**Display angle**

50° 60° 70° 80° 90°

**Brightness**

Auto

Manual

0 100

**Display Background**

img\_0

**Leaving Home Message**

Message Input

Apply

**Coming Home Message**

Message Input

Apply

**Display Contents**

Navigation

Estimated time of arrival

Cruise control

Speed limit information

Demo

**Wi-Fi Settings**

SSID: Audi HUD

Security: WPA2\_PSK

Password: 1234567890

Apply | Reset to factory

1 Setting the angle of the HUD

2 Setting the brightness manually or automatically (manual offset still possible)

3 Different images choose able

4 Individual defined text shown when the HUD opens

5 Individual defined text shown when the HUD closes

6 Features shown on the HUD

7 Edit the Wi-Fi settings

Apply: Save settings  
Reset to factory: Reset settings

8

### **Technical data**

- Transparent OLED display
- Screen dimensions: 126 mm x 50 mm
- Luminance: Typical. Approx. 750 cd/m<sup>2</sup> (max. 990 cd/m<sup>2</sup>)
- Screen transparency: approx. 55% (max. 65%)
- Operating temperature: -25°C ~ +70°C

\* TOLED Display is fragile and weak against shock. Please take caution when handling HUD during installation and use.

### **Scope of delivery**

- Head-Up Display
- Operating instructions

### **Disposal of electronic devices (WEEE directive)**

This symbol on the product or its packaging indicates that this product must not be treated as household waste. In line with the EU Waste Electrical and Electronic Equipment (WEEE) Directive 2002/96/EC this electrical product must not be disposed of as unsorted municipal waste. Please dispose of this product by returning it to the point of sale or to your local municipal collection point for recycling.

### **Imprint**

All rights reserved. These operating instructions are protected by copyright. The right to make technical and visual changes and printing errors is reserved.

The information contained in this document can be changed at any time without prior notice. AUDI reserves the right to change or improve products and to make changes to the content with no obligation to inform any person of company. Device specifications and scope of delivery may differ from the information presented here.

### **Service**

If you have any questions while using your AUDI AG Head-Up Display, contact your local AUDI AG centre.

For up-to-date information or questions regarding the use of your AUDI HUD, please see the detailed manual, available as a PDF document in the app under software, or contact your AUDI partner.



## **Simplified EU declaration of conformity in all languages**

### Deutsch/ German

Frequenzbereich 2400-2484 GHz / Max. Sendeleistung 7dBm

Die vereinfachte EU-Konformitätserklärung gemäß Artikel 10 Absatz 9 hat folgenden Wortlaut: Hiermit erklärt Mobile Appliance Inc., dass der Funkanlagentyp Wi-Fi der Richtlinie 2014/53/EU entspricht. Der vollständige Text der EU-Konformitätserklärung ist unter der folgenden Internetadresse verfügbar: [www.audi.com/generalinfo](http://www.audi.com/generalinfo)

### Schwedisch/ Swedish

Frekvensområde 2400-2484 GHz / Max. effektnivå 7dBm

Den förenklade EU-försäkran om överensstämmelse som avses i artikel 10.9 ska lämnas in enligt följande: Härmed försäkrar Mobile Appliance Inc. att denna typ av radioutrustning Wi-Fi överensstämmer med direktiv 2014/53/EU. Den fullständiga texten till EU-försäkran om överensstämmelse finns på följande webbadress: [www.audi.com/generalinfo](http://www.audi.com/generalinfo)

### Dänisch/ Danish

Frekvensområde 2400-2484 GHz / Maksimal sendeydelse 7dBm

Den forenklede EU-overensstemmelseserklæring, som omhandlet i artikel 10, stk. 9, udformes som følger: Hermed erklærer Mobile Appliance Inc., at radioudstyrstypen Wi-Fi er i overensstemmelse med direktiv 2014/53/EU. EU-overensstemmelseserklæringens fulde tekst kan findes på følgende internetadresse: [www.audi.com/generalinfo](http://www.audi.com/generalinfo)

### Arabisch/ Arabic

### Tschechisch/ Czech

Frekvenční rozsah 2400-2484 GHz / Max. vysílací výkon 7dBm

Zjednodušené EU prohlášení o shodě uvedené v čl. 10 odst. 9 má tuto formu: Tímto Mobile Appliance Inc. prohlašuje, že typ rádiového zařízení Wi-Fi je v souladu se směrnicí 2014/53/EU. Úplné znění EU prohlášení o shodě je k dispozici na této internetové adrese: [www.audi.com/generalinfo](http://www.audi.com/generalinfo)

### Griechisch/ Greek

Περιοχή συχνοτήτων 2400-2484 GHz / Μέγ. ισχύς εκπομπής 7dBm

Η απλουστευμένη δήλωση συμμόρφωσης ΕΕ που αναφέρεται στο άρθρο 10 παράγραφος 9 έχει ως εξής: Με την παρούσα ο/η Mobile Appliance Inc., δηλώνει ότι ο ραδιοεξοπλισμός Wi-Fi πληροί την οδηγία 2014/53/ΕΕ. Το πλήρες κείμενο της δήλωσης συμμόρφωσης ΕΕ διατίθεται στην ακόλουθη ιστοσελίδα στο διαδίκτυο: [www.audi.com/generalinfo](http://www.audi.com/generalinfo)

### Englisch/ English

Frequency band 2400-2484 GHz / Max. radio frequency power 7dBm

The simplified EU declaration of conformity referred to in Article 10(g) shall be provided as follows: Hereby, Mobile Appliance Inc. declares that the radio equipment type Wi-Fi is in compliance with Directive 2014/53/EU. The full text of the EU declaration of conformity is available at the following internet address: [www.audi.com/generalinfo](http://www.audi.com/generalinfo)

#### Spanisch/ Spanish

Frecuencias 2400-2484 GHz / Potencia emisión máx. 7dBm

La declaración UE de conformidad simplificada a que se refiere el artículo 10, apartado 9, se ajustará a lo siguiente: Por la presente, Mobile Appliance Inc. declara que el tipo de equipo radioeléctrico Wi-Fi es conforme con la Directiva 2014/53/UE. El texto completo de la declaración UE de conformidad está disponible en la dirección Internet siguiente: [www.audi.com/generalinfo](http://www.audi.com/generalinfo)

#### Finnisch/ Finnish

Taajuusalue 2400-2484 GHz / Enimmäislähetysteho 7dBm

Edellä 10 artiklan 9 kohdassa tarkoitettu yksinkertaistettu EU-vaatimustenmukaisuusvakuutus on annettava seuraavasti: Mobile Appliance Inc. vakuuttaa, että radiolaitetyyppi Wi-Fi on direktiivin 2014/53/EU mukainen. EU-vaatimustenmukaisuusvakuutuksen täysimittainen teksti on saatavilla seuraavassa internetosoitteessa: [www.audi.com/generalinfo](http://www.audi.com/generalinfo)

#### Französisch/ French

Gamme d'ondes 2400-2484 GHz / Puissance d'émission max. 7dBm

La déclaration UE de conformité simplifiée visée à l'article 10, paragraphe 9, est établie comme suit: Le soussigné, Mobile Appliance Inc., déclare que l'équipement radioélectrique du type Wi-Fi est conforme à la directive 2014/53/UE. Le texte complet de la déclaration UE de conformité est disponible à l'adresse internet suivante: [www.audi.com/generalinfo](http://www.audi.com/generalinfo)

#### Kroatisch/ Croatian

Podr. frekv. 2400-2484 GHz / Maks. snaga odaš. 7dBm

Pojednostavljena EU izjava o sukladnosti iz članka 10. stavka 9. sastavlja se kako slijedi: Mobile Appliance Inc. ovime izjavljuje da je radijska oprema tipa Wi-Fi u skladu s Direktivom 2014/53/EU. Cjeloviti tekst EU izjave o sukladnosti dostupan je na sljedećoj internetskoj adresi: [www.audi.com/generalinfo](http://www.audi.com/generalinfo)

#### Ungarisch/ Hungarian

Frekvenciart. 2400-2484 GHz / Max. jelsug.-i teljes. 7dBm

A 10. cikk (g) bekezdésében említett egyszerűsített megfelelőségi nyilatkozat szövege a következő: Mobile Appliance Inc. igazolja, hogy a Wi-Fi típusú rádióberendezés megfelel a 2014/53/EU irányelvnek. Az EU-megfelelőségi nyilatkozat teljes szövege elérhető a következő internetes címen: [www.audi.com/generalinfo](http://www.audi.com/generalinfo)

#### Italianisch/ Italian

Banda di frequenza 2400-2484 GHz / Potenza di trasmissione max. 7dBm

La dichiarazione di conformità UE semplificata di cui all'articolo 10, paragrafo 9, deve essere presentata come segue: Il fabbricante, Mobile Appliance Inc., dichiara che il tipo di apparecchiatura radio Wi-Fi è conforme alla direttiva 2014/53/UE. Il testo completo della dichiarazione di conformità UE è disponibile al seguente indirizzo Internet: [www.audi.com/generalinfo](http://www.audi.com/generalinfo)

### Irish (Gälisch)/ Irish (Gaelic)

Banda minicíochta 2400-2484 GHz / Uaschumhacht mhinicíocht raidió 7dBm

Cuirfear dearbhú comhréireachta simplithe an AE, dá dtagraítear in Airteagal 10(9), ar fáil mar seo a leanas: Leis seo, dearbhaíonn Mobile Appliance Inc. go bhfuil an cineál trealaimh raidió Wi-Fi i gcomhréir le Treoir 2014/53/AE. Tá téacs iomlán dearbhú comhréireachta an AE ar fáil ag an seoladh idirlín seo a leanas: [www.audi.com/generalinfo](http://www.audi.com/generalinfo)

### Niederländisch/ Dutch

Frequentiegebied 2400-2484 GHz / Max. zendvermogen 7dBm

De in artikel 10, lid 9, bedoelde vereenvoudigde EU-conformiteitsverklaring wordt als volgt geformuleerd: Hierbij verklaar ik, Mobile Appliance Inc., dat het type radioapparatuur Wi-Fi conform is met Richtlijn 2014/53/EU. De volledige tekst van de EU-conformiteitsverklaring kan worden geraadpleegd op het volgende internetadres: [www.audi.com/generalinfo](http://www.audi.com/generalinfo)

### Norwegisch/ Norwegian

Frekvensområde 2400-2484 GHz / Maks. utgangseffekt 7dBm

Den forenklede EU-samsvarserklæringen i henhold til artikkel 10 avsnitt 9 har følgende ordlyd: Mobile Appliance Inc. erklærer herved at radioutstyrtypen Wi-Fi samsvarer med direktivet 2014/53/EU. Den fullstendige teksten til EU-samsvarserklæringen er tilgjengelig på følgende nettside: [www.audi.com/generalinfo](http://www.audi.com/generalinfo)

### Polnisch/ Polish

zakres częstotliwości 2400-2484 GHz / maks. moc nadawcza 7dBm

Uproszczoną deklarację zgodności UE, o której mowa w art. 10 ust. 9, należy podać w następujący sposób: Mobile Appliance Inc. niniejszym oświadcza, że typ urządzenia radiowego Wi-Fi jest zgodny z dyrektywą 2014/53/UE. Pełny tekst deklaracji zgodności UE jest dostępny pod następującym adresem internetowym:

### Portugiesisch/ Portuguese

Âmbito frequência 2400-2484 GHz / Potência máx. Envio 7dBm

A declaração UE de conformidade simplificada a que se refere o artigo 10.o, n.o 9, deve conter os seguintes dados: O(a) abaixo assinado(a) Mobile Appliance Inc. declara que o presente tipo de equipamento de rádio Wi-Fi está em conformidade com a Diretiva 2014/53/UE. O texto integral da declaração de conformidade está disponível no seguinte endereço de Internet: [www.audi.com/generalinfo](http://www.audi.com/generalinfo)

### Rumänisch/ Romanian

Gamă de frecvență 2400-2484 GHz / Putere max. emisie 7dBm

Declarația UE de conformitate simplificată prevăzută la articolul 10 alineatul (9) include: Prin prezenta, Mobile Appliance Inc. declară că tipul de echipamente radio Wi-Fi este în conformitate cu Directiva 2014/53/UE. Textul integral al declarației UE de conformitate este disponibil la următoarea adresă internet: [www.audi.com/generalinfo](http://www.audi.com/generalinfo)

### Slowakisch/ Slovakia

Frekvenčný rozsah 2400-2484 GHz / Max. vysielací výkon 7dBm

Zjednodušené EÚ vyhlásenie o zhode uvedené v článku 10 ods. 9 znie takto: Mobile Appliance Inc. týmto vyhlasuje, že rádiové zariadenie typu Wi-Fi je v súlade so smernicou 2014/53/EÚ. Úplné EÚ vyhlásenie o zhode je k dispozícii na tejto internetovej adrese: [www.audi.com/generalinfo](http://www.audi.com/generalinfo)

#### Slowenisch/ Slovenian

Frekvenčno območje 2400-2484 GHz / Maks. moč oddajanja 7dBm

Poenostavljena izjava EU o skladnosti iz člena 10(9) se predloži tako: Mobile Appliance Inc. potrjuje, da je tip radijske opreme Wi-Fi skladen z Direktivo 2014/53/EU. Celotno besedilo izjave EU o skladnosti je na voljo na naslednjem spletnem naslovu: [www.audi.com/generalinfo](http://www.audi.com/generalinfo)

#### Türkisch/ Turkish

Frekans aralığı 2400-2484 GHz / Maksimum verici gücü 7dBm

Madde 10 paragraf 9 uyarınca basitleştirilmiş AB uygunluk beyanı şunu belirtir: Bu beyanla Mobile Appliance Inc., radyo sistemi tipinin Wi-Fi 2014/53/AB yönergesine uygun olduğunu beyan eder. AB uygunluk beyanının tam metni şu internet adresi üzerinden bulunabilir: [www.audi.com/generalinfo](http://www.audi.com/generalinfo)

#### Bulgarisch/ Bulgarian

Честотен диапазон 2400-2484 GHz / Макс. излъчвателна мощност 7dBm

Опростената ЕС декларация за съответствие, посочена в член 10, параграф 9, има следното съдържание: С настоящото Mobile Appliance Inc. декларира, че този тип радиосъоръжение Wi-Fi е в съответствие с Директива 2014/53/ЕС. Цялостният текст на ЕС декларацията за съответствие може да се намери на следния интернет адрес: [www.audi.com/generalinfo](http://www.audi.com/generalinfo)

#### Estnisch/ Estonian

Sagedusvahemik 2400-2484 GHz / Max saatmisvõimsus 7dBm

Artikli 10 lõikes 9 osutatud lihtsustatud vastavusdeklaratsioon esitatakse järgmisel kujul: Käesolevaga deklareerib Mobile Appliance Inc., et käesolev raadioseadme tüüp Wi-Fi vastab direktiivi 2014/53/EL nõuetele. ELi vastavusdeklaratsiooni täielik tekst on kättesaadav järgmisel internetiaadressil: [www.audi.com/generalinfo](http://www.audi.com/generalinfo)

#### Hebräisch/ Hebrew

מוחת מירדתה 2400-2484 GHz / קפסה רודיש יברימ 7dBm

לש דוחיאה יפוריאה, מאתהב פייעסל 10 הקספ9, איה ומקלדכ: Mobile Appliance Inc. ריהצמ תאזב יכ גוס . ללמה אלמה לש תרהצה תומיאתה לש דוחיאה יפוריאה ינימ תבותכב ונשל תרהצה תומיאתה תרצוקמה . סנרטניאה האבה [www.audi.com/generalinfo](http://www.audi.com/generalinfo): וקתהה יטוחלאה Wi-Fi מאות תא וקתה 2014/53/EU

#### Litauisch/ Lithuanian

Dažnio diapazonas 2400-2484 GHz / Didž. perdavimo galia 7dBm

Supaprastinta ES atitikties deklaracija, nurodyta 10 straipsnio 9 dalyje, suformuluojama taip: Aš, Mobile Appliance Inc., patvirtinu, kad radijo įrenginių tipas Wi-Fi atitinka Direktyvą 2014/53/ES. Visas ES atitikties deklaracijos tekstas prieinamas šiuo interneto adresu: [www.audi.com/generalinfo](http://www.audi.com/generalinfo)

#### Lettisch/ Latvian

Frekv. Diapazons 2400-2484 GHz / Maks. pārraides jauda 7dBm

Vienkāršota ES atbilstības deklarācija saskaņā ar 10. panta 9. punktu ir šāda: Ar šo Mobile Appliance Inc. deklarē, ka radioiekārta Wi-Fi atbilst Direktīvai 2014/53/ES. Pilns ES atbilstības deklarācijas teksts ir pieejams šādā interneta vietnē: [www.audi.com/generalinfo](http://www.audi.com/generalinfo)

#### Maltesisch/ Maltese

Medda ta' frekwenza 2400-2484 GHz / Qawwa massima ta' frekwenza tar-radju 7dBm

Id-dikjarazzjoni ssimplifikata tal-konformità tal-UE msemmija fl-Artikolu 10(9) għandha tiġi prevista kif ġej: B'dan, Mobile Appliance Inc., niddikjara li dan it-tip ta' tagħmir tar-radju Wi-Fi huwa konformi mad-Direttiva 2014/53/UE. It-test kollu tad-dikjarazzjoni ta' konformità tal-UE huwa disponibbli f'dan l-indirizz tal-Internet li ġej: [www.audi.com/generalinfo](http://www.audi.com/generalinfo)

#### **RF Specification**

Supported Protocol and Standard : IEEE 802.11b, IEEE 802.11g, IEEE 802.11n

Frequency Range : 2400MHz ~ 2483.5MHz

Amount of Working channel : 1-11 (America), 1-13 (Korea, China, Europe)

Channel Bandwidth : 20MHz

Modulation : DSSS / CCK / OFDM

Output Power : 10mW / MHz 이하 (Korea)

802.11b : 4 dBm ± 1dB (America)

802.11g : 6 dBm ± 1dB (America)

802.11n\_HT20 : 6 dBm ± 1dB (America)

7 dBm (General)

#### **General**

Power Supply : DC 12V

Temperature Range : -25°C ~ 70°C

## INFORMATION OF REGULATIONS

### ■ EUROPE



“Direct sunshine or any strong light may cause the loss of recognition of writing.”

**This equipment may be operated in AT, BE, CY, CZ, DK, EE, FI, FR, DE, GR, KU, IE, IT, LV, LT, LU, GB, NO, CH, BG, TO, TR**

### ■ United States

**FCC ID: WHBAUDIHU**

This device complies with Part 15 of the FCC Rules. Operation is subject to the following two conditions: (1) this device may not cause harmful interference, and (2) this device must accept any interference received, including interference that may cause undesired operation.

CAUTION : Any Changes or modifications not expressly approved by the manufacturer could void the user's authority to operate the equipment. This equipment has been tested and found to comply with the limits for a Class B digital device, pursuant to part 15 of the FCC Rules. These limits are designed to provide reasonable protection against harmful interference in a residential installation. This equipment generates, uses and can radiate radio frequency energy and, if not installed and used in accordance with the instructions, may cause harmful interference to radio communications. However, there is no guarantee that interference will not occur in a particular installation. If this equipment does cause harmful interference to radio or television reception, which can be determined by turning the equipment off and on, the user is encouraged to try to correct the interference by one or more of the following measures:

- Reorient or relocate the receiving antenna.
- Increase the separation between the equipment and receiver.
- Connect the equipment into an outlet on a circuit different from that to which the receiver is connected.
- Consult the dealer or an experienced radio/TV technician for help.

**A minimum separation distance of 20 cm must be maintained between the antenna and the person for this appliance to satisfy the RF exposure requirements.**