

AGD933

**Enforcement Radar Certification
Equipment**

Incorporating

MC-116 Radar Target Simulator

User Manual

Contents

- 1. INTRODUCTION 3
 - 1.1 DOCUMENT SCOPE 3
 - 1.2 DOCUMENT CHANGE HISTORY 3
 - 1.3 IMPORTANT INFORMATION..... 3
- 2. SYSTEM GENERAL OVERVIEW 4
 - 2.1 OPERATION 4

1. INTRODUCTION

This manual details the use of the AGD933 Enforcement Radar Certification Equipment. Used with AGD radars, the AGD933 allows the user to determine the performance of relevant radars during their calibration period against known parameters by non-invasive methods (calibration seals do not need to be removed).

The immediate application of the AGD933 equipment is for AGD340 and AGD330 radars.

The AGD933 incorporates a laboratory version of the AGD932 target simulator hardware which is controlled via a separate PC and bespoke AGD software.

1.1 Document Scope

This document is a statement of the product design and is generated in response to the Marketing Requirement Specification. The document will be reviewed and authorised as part of the BS EN ISO 9001 design process detailed in DWI/00.

1.2 Document Change History

Issue	Amendment Details	Date of Issue	By
1	Introduction	12/03/09	RF
2	Addition of Changes or modification note	17/03/09	RF

1.3 Important Information

THE AGD933 NOR USE OF THE BESPOKE SOFTWARE DOES NOT/NOR IS IT INTENDED TO REPLACE NOR CONFIRM THE FORMAL CALIBRATION OF THE RADAR BY AUTHORISED BODIES.

IT IS INTENDED AS AN INDICATION ONLY AS TO THE RADARS CURRENT PERFORMANCE AGAINST KNOWN PARAMETERS

CHANGES OR MODIFICATIONS TO THIS EQUIPMENT, NOT EXPRESSLY APPROVED BY AGD SYSTEMS LTD, MAY VOID THE USER'S AUTHORITY TO OPERATE THIS EQUIPMENT

2. System General Overview

The whole system is designated an AGD933 and comprises;

- a) A Frequency counter
- b) A Frequency generator
- c) A mechanical enclosure, lined with radar absorbing material
- d) A desk top pc and monitor
- e) USB to serial convertor.
- f) USB hi speed hub -
- g) MC-116 24GHz Target Simulator Unit.
- h) Miscellaneous cables

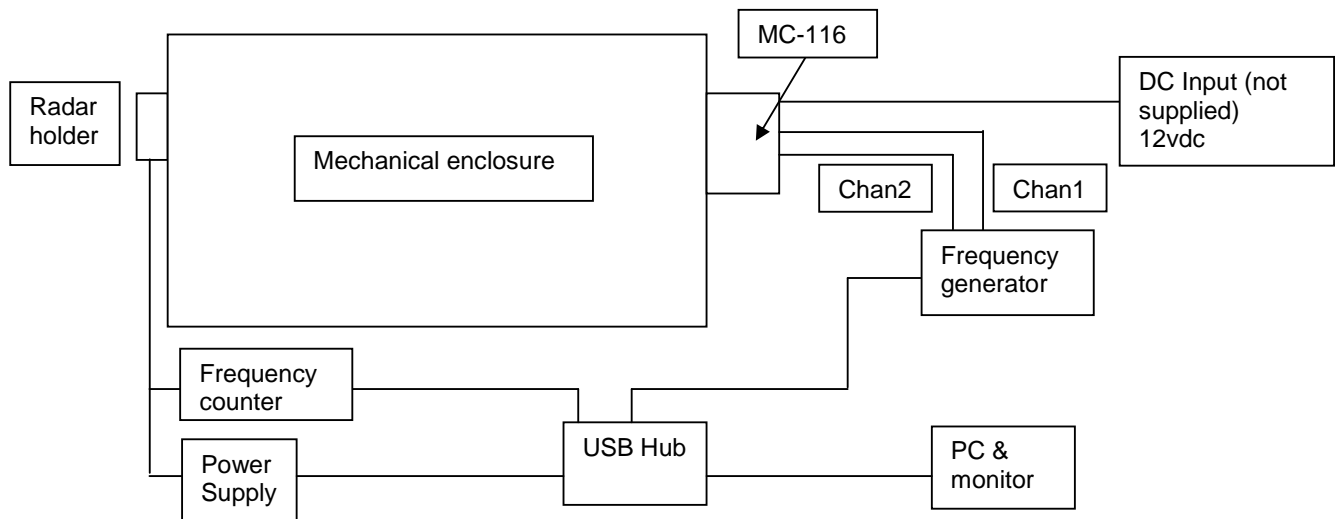


Figure 1 System Overview

2.1 Operation

With the equipment connected as shown and the bespoke AGD software loaded onto the PC, launch the software and follow the on screen instructions. The software will then exercise the radar whose performance parameters are required to be checked. At the end of the test the software will report as to the radars performance when compared with known parameters.