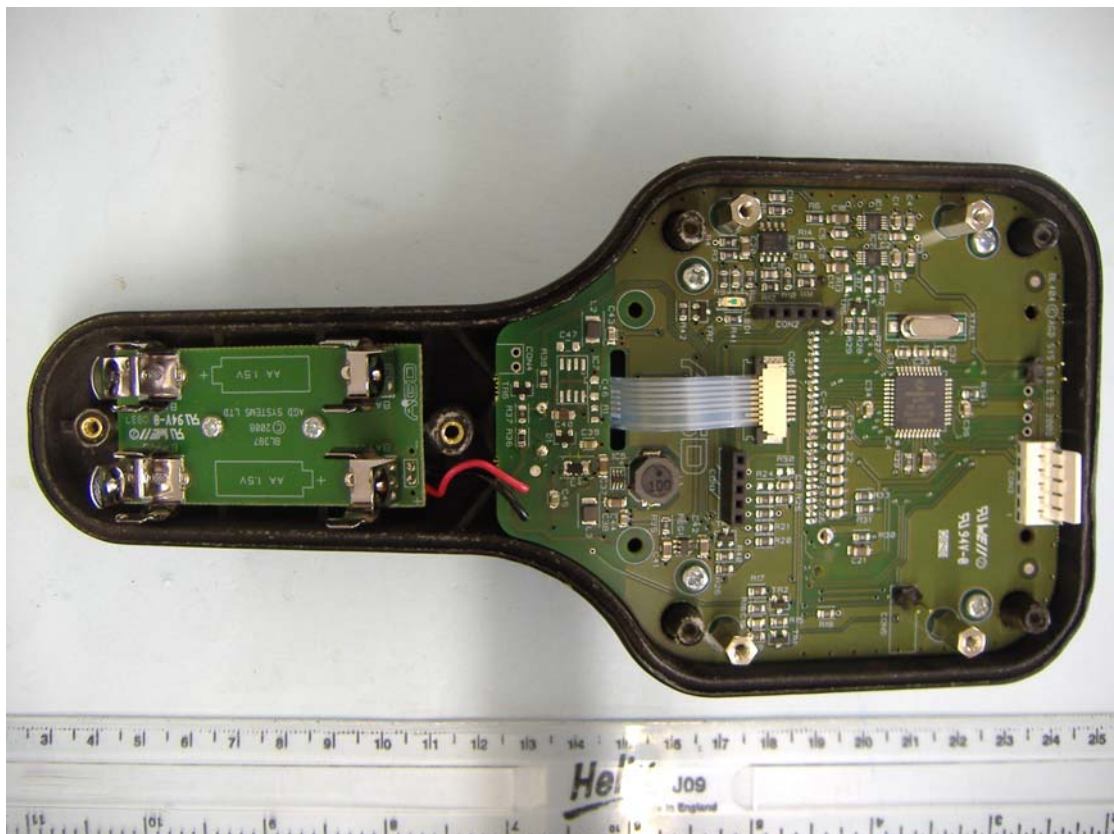
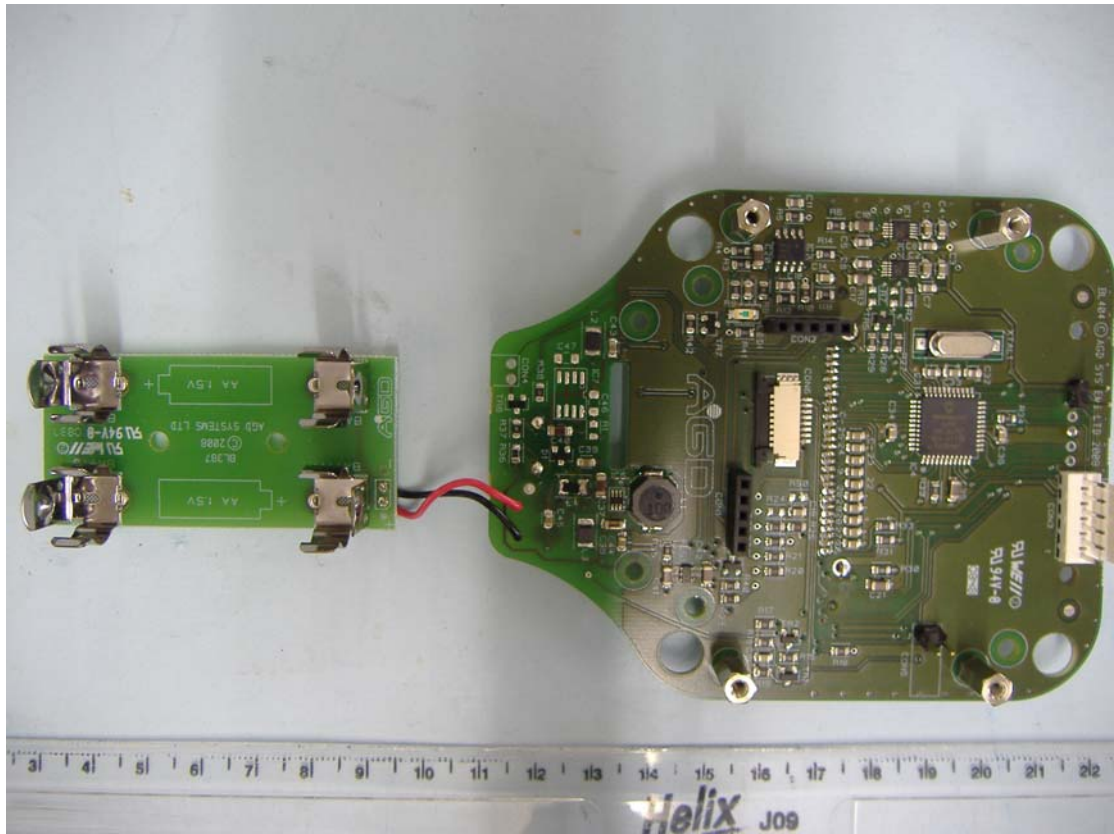


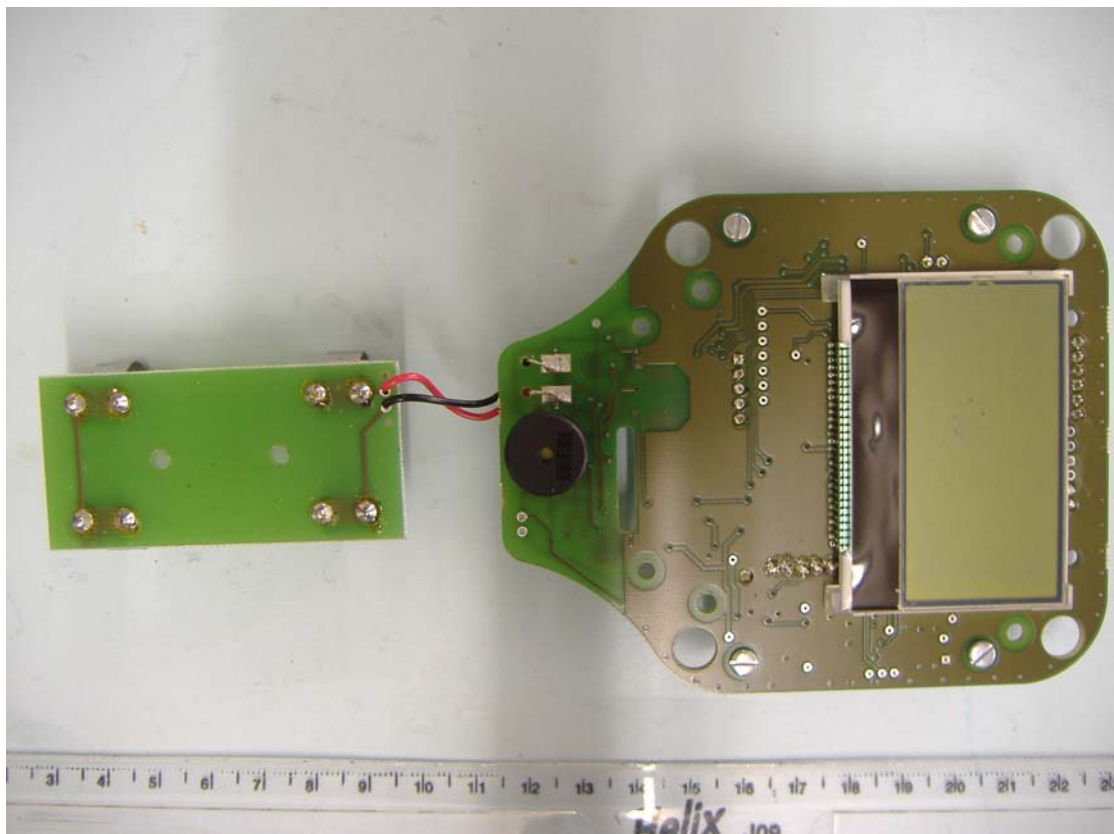
PCBs Mounted In Case



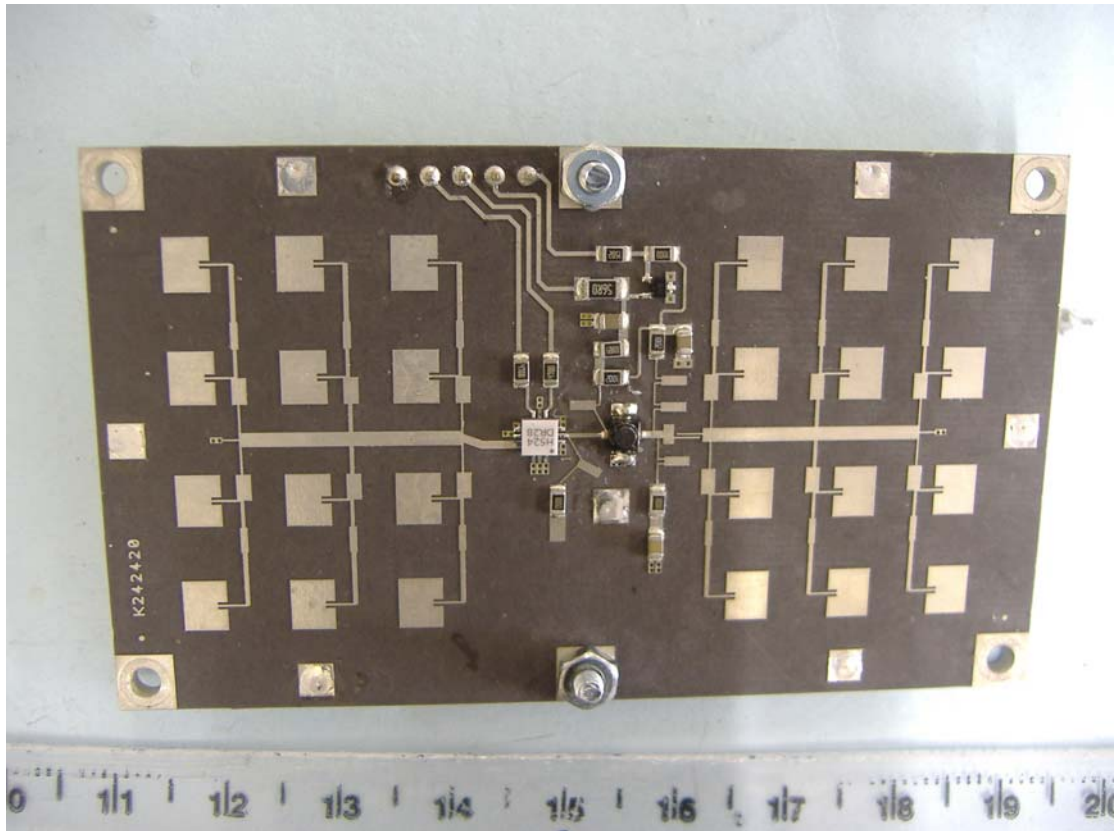
PCBs Mounted In Case RF Module Removed



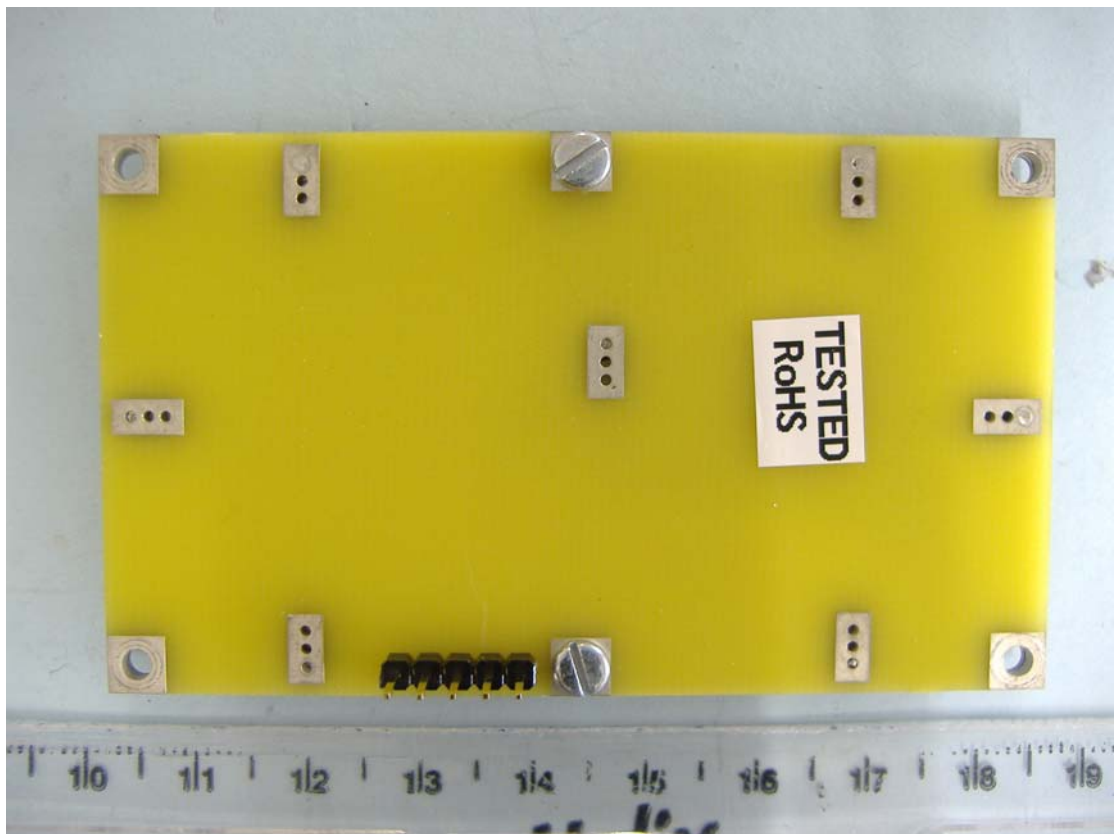
Component Side Of PCBs, RF Module Removed



Component Side Of PCBs, RF Module Removed



RF Module Antenna Side



RF Module Rear Side