

## 9.2 General Set-up Photograph

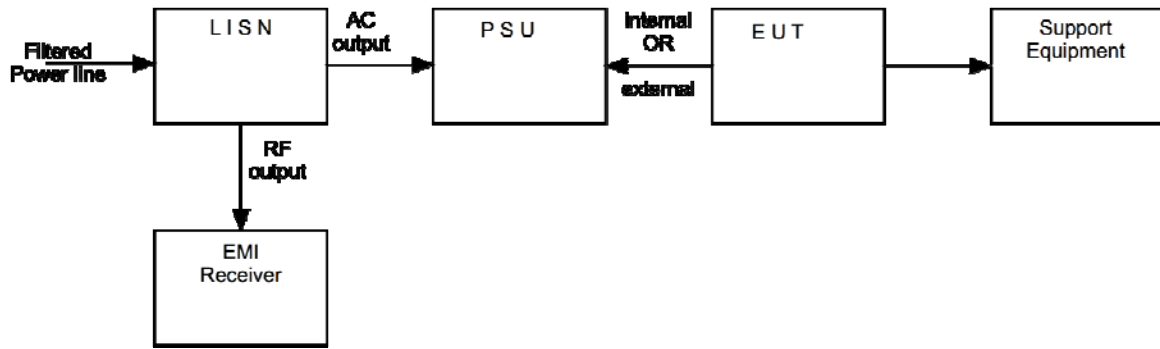
The following photograph shows basic EUT set-up:



### Test Set-up Photograph



Figure ii Test Setup



12.5 Test Set-up Photograph



12.6 Test Equipment

<i>Equipment Description</i>	<i>Manufacturer</i>	<i>Equipment Type</i>	<i>Element No</i>	<i>Due For Calibration</i>
Receiver	R&S	ESHS10	RFG715	2019-11-16
Lisn	R&S	ESH3-Z5.831.5	RFG189	2019-04-06
Pulse Limiter	R&S	ESH3-Z2	RFG674	2019-07-31