

PCHD26/27-快速操作指南

160*75mm (折后尺寸)

157g双铜-单黑(K90)-折页-过耐磨油

MeLE[®]

This equipment has been tested and found to comply with the limits for a Class B digital device, pursuant to Part 15 of the FCC Rules. These limits are designed to provide reasonable protection against harmful interference in a residential installation. This equipment generates uses and can radiate radio frequency energy and, if not installed and used in accordance with the instructions, may cause harmful interference to radio communications. However, there is no guarantee that interference will not occur in a particular installation. If this equipment does cause harmful interference to radio or television reception, which can be determined by turning the equipment off and on, the user is encouraged to try to correct the interference by one or more of the following measures:

- Reorient or relocate the receiving antenna.
- Increase the separation between the equipment and receiver.
- Connect the equipment into an outlet on a circuit different from that to which the receiver is connected.
- Consult the dealer or an experienced radio/TV technician for help.

Changes or modifications not expressly approved by the party responsible for compliance could void the user's authority to operate the equipment.

This device complies with part 15 of the FCC Rules. Operation is subject to the following two conditions:

- (1) This device may not cause harmful interference, and (2) this device must accept any interference received, including interference that may cause undesired operation.

Changes or modifications not expressly approved by the party responsible for compliance could void the user's authority to operate the equipment.

FCC Radiation Exposure Statement

This equipment complies with FCC radiation exposure limits set forth for an uncontrolled environment. This equipment should be installed and operated with minimum distance 20cm between the radiator & your body.

Mele Technologies (Shenzhen) Co., Ltd. holds the right to improve the appearance, dimension, color and technology of the product without prior notice. All images on the giftbox and guide are for reference only, the physical product in the giftbox might be different.

Adapter shall be installed near the equipment and shall be easily accessible. The operating temperature of the device between 0°C to 35°C.

We declares that this device is in compliance with the essential requirements and other relevant provisions of Directive 2014/53/EU.

CAUTION: RISK OF EXPLOSION IF BATTERY IS REPLACED BY AN INCORRECT TYPE. DISPOSE OF USED BATTERIES ACCORDING TO THE INSTRUCTIONS.

Manufacturer: MeLE Technologies(Shenzhen) Co.,Ltd.
Address of Manufacturer: No.28 Cuijing Road, Pingshan District,Shenzhen(518118) P.R.China
Website: www.mele.cn



MeLE[®]

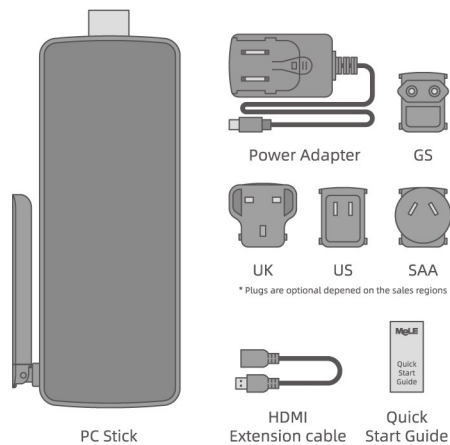
Innovation Enriches Quality Life

Fanless Mini PC PCG02^{APL}

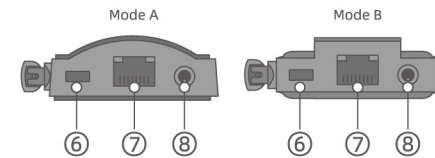
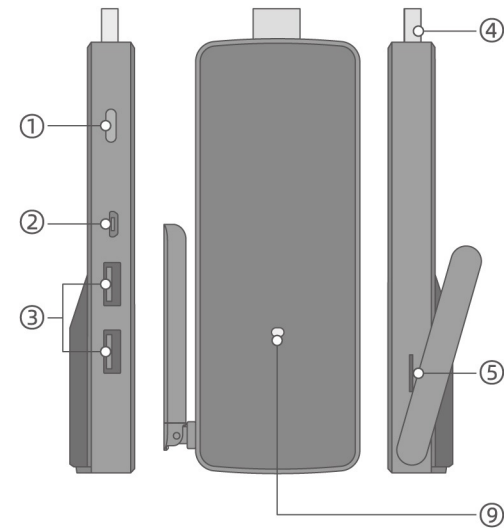
Quick Start Guide

Thanks for choosing MeLE

Packing List

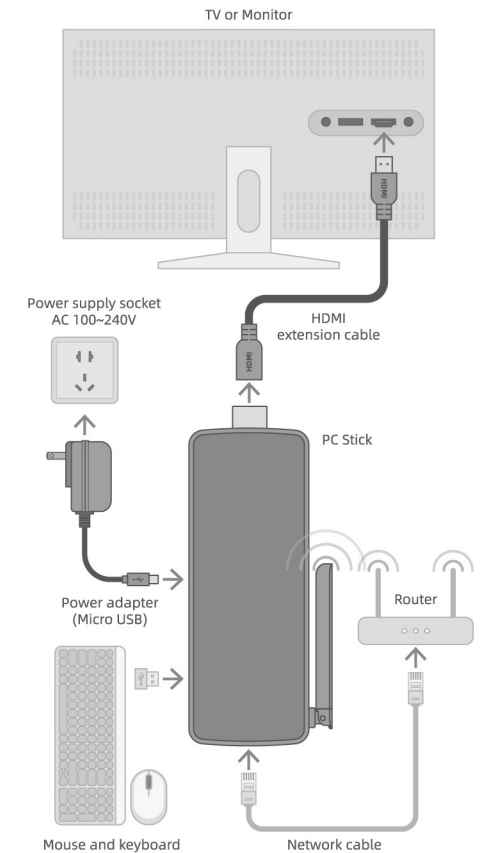


Interface



- ① Power Button
- ② DC-IN (Micro USB)
- ③ USB 3.0
- ④ HDMI Output
- ⑤ Micro-SD Card Slot
- ⑥ Kensington Lock Slot
- ⑦ Gigabit Ethernet Port
- ⑧ 3.5mm Audio Combo Jack
- ⑨ LED Indicator

How to Connect



- 1.Connect the 5V power adapter to the PC Stick
- 2.Connect the PC Stick to a TV or monitor with HDMI extension cable
- 3.Turn on your PC Stick by pressing the power button
- 4.LED indicator turns blue when you power on the PC Stick
- 5.Enjoy your PC Stick by connecting with keyboard and mouse