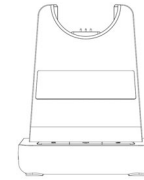

User's Manual

Wireless DECT Headset



Model Name : DW-810ST

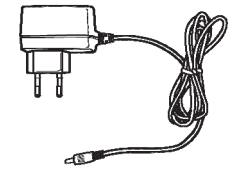
1. Package Contents



BASE UNIT



HEADSET & HEADBAND

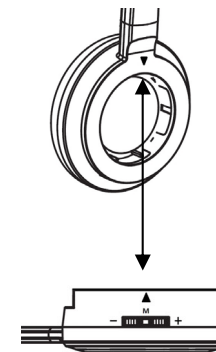
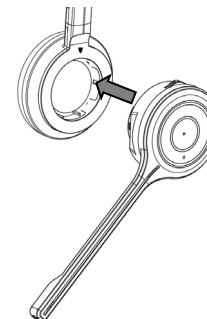


POWER ADAPTOR



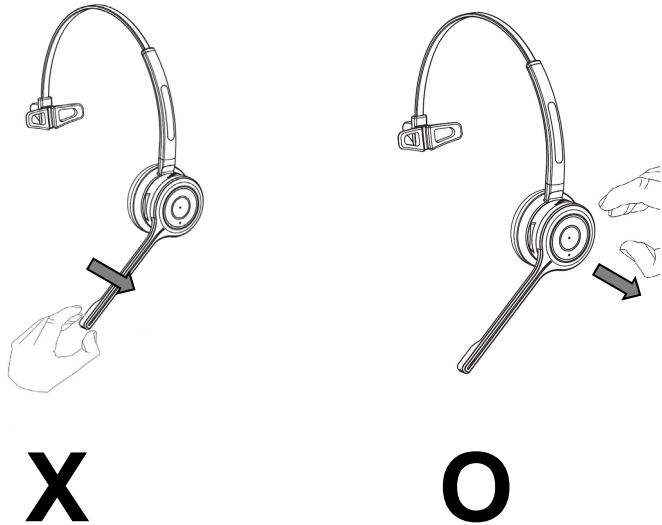
TELEPHONE CORD

Attaching the headband



When you combine a headset with a headband, match the shapes of the triangles.

Detaching the headset



IMPORTANT :Do not separate the headset from the headband using the microphone boom.

Adjusting the Microphone boom

The microphone boom is flexible, so you can bend the boom and position it for comfort and best transmission.

The ideal placement for the microphone is usually

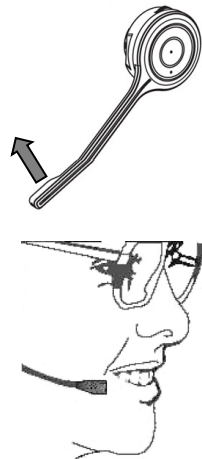
At the corner of your mouth, not in front of it,

and about

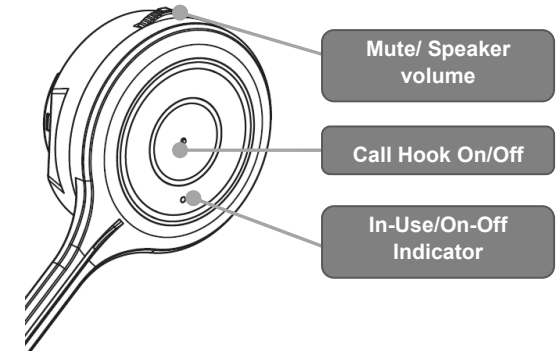
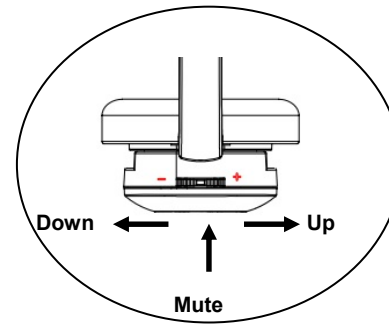
an inch from your face.

Be sure that the side of the microphone is pointed

Toward your mouth.

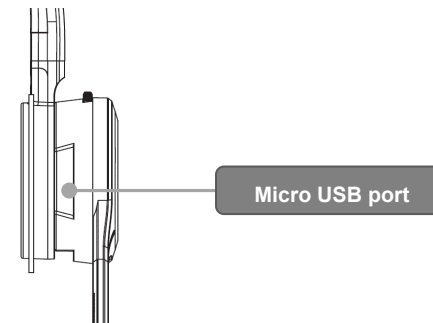


2. Headset



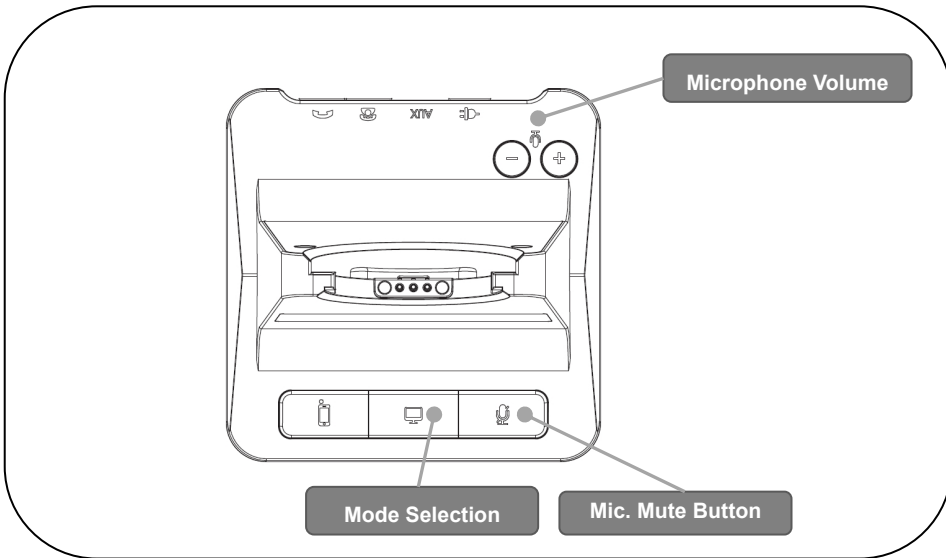
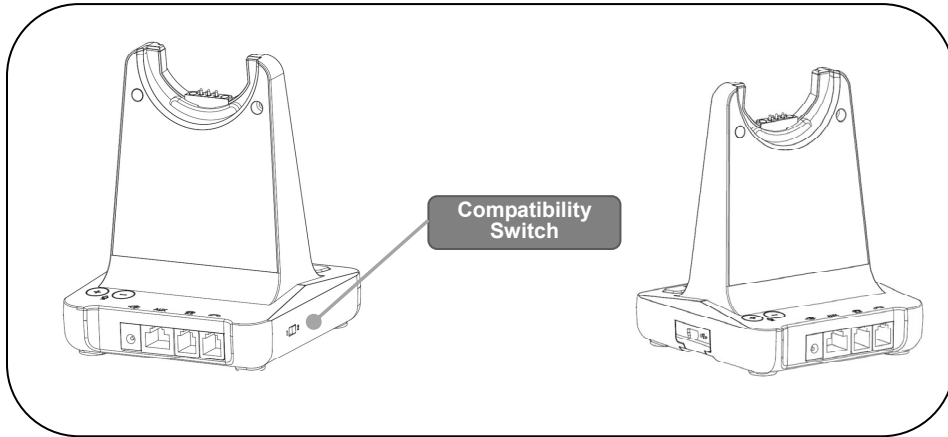
- Speaker Volume Up/Down
- Microphone Mute (Press)

- Fit the headband or ear-hook on the headset
- Adjust the boom arm of your headset so that the microphone is positioned in the direction of your mouth, as close as possible to your mouth.

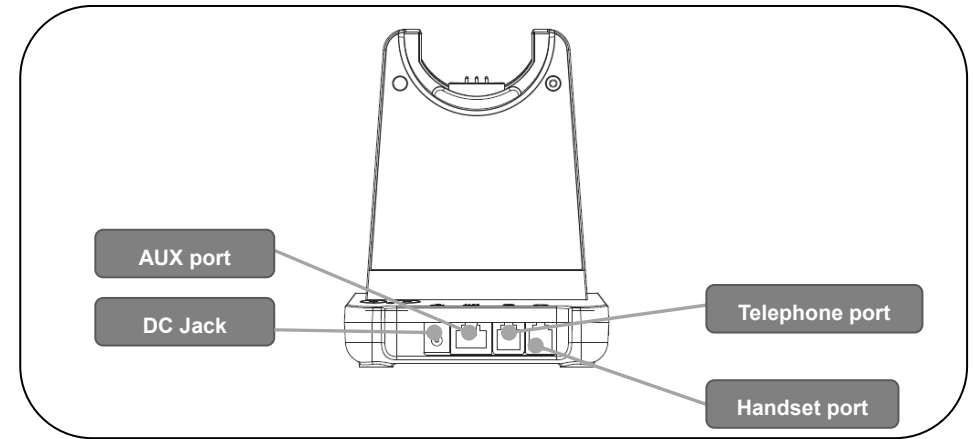


-
- For charging of headset, connect supplied usb cable to usb port.of the headset

3. Base Unit

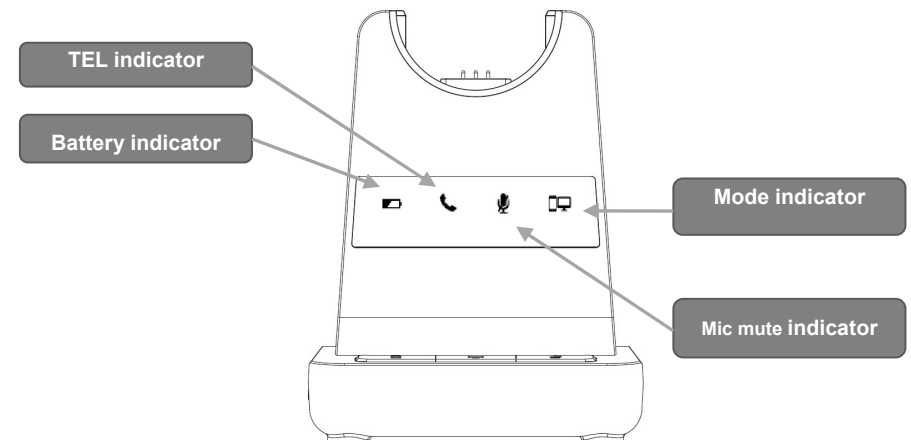


Microphone Volume Switch	When installed, adjust volume level for the best level of microphone volume.
Compatibility Switch	Select '1' or '2' until a dial tone is heard via the telephone connection.



Handset port	Plug Handset cord from the phone to Handset port
Telephone port	Connect telephone cord to the headset port or handset port of a telephone / base unit
DC Jack	Connect Power Adapter to DC Jack

4. LED & Audio indicator



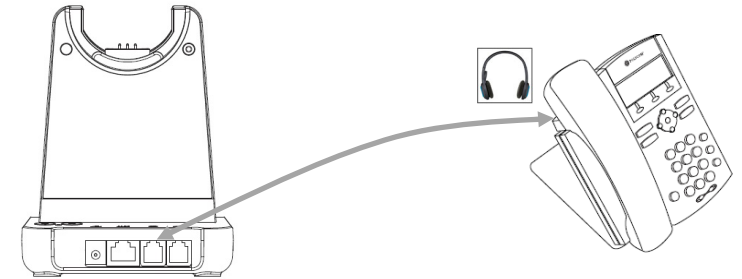
Charging Status	LEDs status
Charging	Battery Indicator : 'Blinking' 1 sec-ON, 1sec-OFF
Full Charged	Battery Indicator : 'ON'
Low Battery	Battery Indicator : 'Blinking' 0.5 sec-ON, 0.5 sec-OFF
Event	LEDs status
Press Microphone mute	Mute indicator : 'ON'
Hook Off	Selected Mode indicator : 'ON'

Audio Indicator

Event	Added
Speaker /Microphone volume UP/DOWN	Beep Sound (High tone/Low tone)
Max/Min speaker volume reached	Double beep
Max/Min microphone volume reached	Double beep
Microphone mute/unmute	Beep / Double beep
Mute reminder	Beep (every 3 seconds)
Hook Off / On	Double beep (High tone / Low tone)

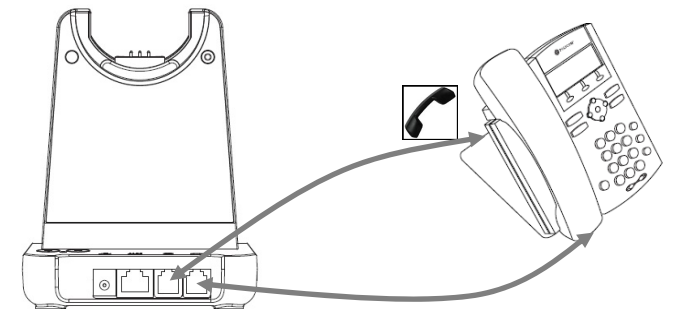
5. Setting up the BASE

Diagram 1 (Desk phone with HEADSET port)



- Plug the supplied telephone cord into the TEL port of the BASE UNIT
- Connect the telephone cord to the HEADSET port of the desk phone

Diagram 2 (Desk phone without HEADSET port)



- On the desk phone, unplug the handset cable from the phone
- Plug the handset cable into the HANDSET port on the BASE UNIT
- Plug the telephone cord into the TEL port on the BASE UNIT and plug the other end of the telephone cord into the HADNSET port on the desk phone

6. Operational Instruction

- Plug the Power Adapter cord on the Base unit.(**Note 1**)
- Press Hook On/Off switch to make a call
- Select compatibility switch '1' or '2' position until you can hear the dial tone
- Adjust speaker and microphone volume
- Press Hook On/Off switch to end a call

Note 1 : Factory default setup : Paired

Pairing process is automatically proceeding when plug the power adapter into the Base Unit. (Make sure that headset is placed on the cradle and should be powered on before power is turned on. If the headset is not placed on the cradle, pairing will be unsuccessful.)

8. Trouble Shooting

1. Cannot hear a dial tone.

- ☞ Please check the cable connection between Base unit and Phone.
- ☞ Check that the power adapter is plugged in and has power
- ☞ Please check the compatibility switch. Adjust compatibility switch until you can hear the dial tone.

2. Microphone volume (TX) is low / dead.

- ☞ Make sure that the microphone (TX) mute function is deactivated.
- ☞ Check the position of the boom arm and make sure that the microphone is placed as close as possible to your mouth (approx. 2 fingers distance).
- ☞ Adjust the microphone (TX) volume on the bottom of base unit.

3. Buzzing sound on the headset

- ☞ Telephone may not be fully immune to the radio transmission between your headset and base. To overcome this problem, move the base unit to at least 30 cm/12" away from the phone.

4. Headset echoes

- ☞ Adjust the telephone's volume. If necessary, adjust your microphone volume on the headset to a lower setting.

6. Headset was working, but it has stopped.

- ☞ Headset may need pairing to the base again. Refer to the '**Note 1**' on '**Operational Instruction**'
- ☞ Headset battery may be dead. Return the headset to the cradle on the base unit for charging.

WARRANTY CARD

Mr./Mrs./Miss/Co. _____

Telephone No. _____

Address _____

Model No. _____

Brand _____

Serial No. _____

Invoice No. _____

Dealer _____

Date of Purchase _____

Note : THIS WARRANTY CARD WILL BE VOID IF IT IS
NOT MAILED BACK TO OUR COMPANY WITHIN
10 DAYS FROM DATE OF PURCHASE,
WARRANTY CONDITIONS
(PLEASE SEE OVERLEAF)

FCC Caution:

Any Changes or modifications not expressly approved by the party responsible for compliance could void the user's authority to operate the equipment.

This device complies with part 15 of the FCC Rules. Operation is subject to the following two conditions: (1) This device may not cause harmful interference, and (2) this device must accept any interference received, including interference that may cause undesired operation.

IMPORTANT NOTE:

Note: This equipment has been tested and found to comply with the limits for a Class B digital device, pursuant to part 15 of the FCC Rules. These limits are designed to provide reasonable protection against harmful

interference in a residential installation. This equipment generates, uses and can radiate radio frequency energy and, if not installed and used in accordance with the instructions, may cause harmful interference to radio communications. However, there is no guarantee that interference will not occur in a particular installation. If this equipment does cause harmful interference to radio or television reception, which can be determined by turning the equipment off and on, the user is encouraged to try to correct the interference by one or more of the following measures:

- Reorient or relocate the receiving antenna.
- Increase the separation between the equipment and receiver.
- Connect the equipment into an outlet on a circuit different from that to which the receiver is connected.
- Consult the dealer or an experienced radio/TV technician for help.

Radiation Exposure Statement:

The base unit complies with FCC radiation exposure limits set forth for an uncontrolled environment. The base unit should be installed and operated with minimum distance 20cm between the radiator & your body.

The headset unit has been tested and comply with FCC SAR limits.