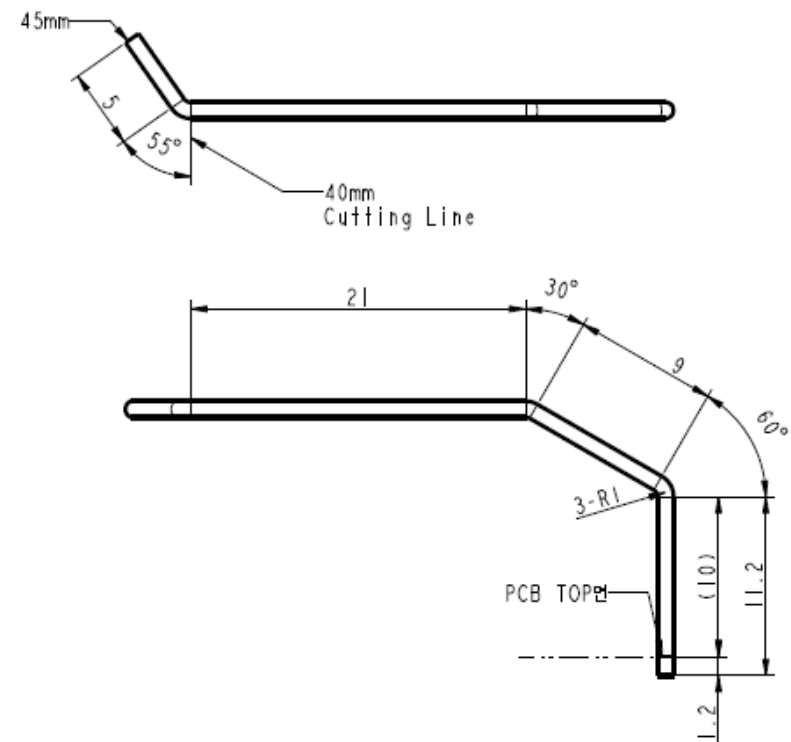


# DW-780ST Antenna TEST Report

# 1. BASE Antenna

- It is designed by DASAN ELECTRON CO., LTD
- Adress: #307, Plant 1 Dong, Kyunggitechno Park, 705, Haean-ro, Sangnok-gu, Ansan-si, Gyeonggi-do, South Korea
- Metal 1.0mm thickness
- Ni Plating



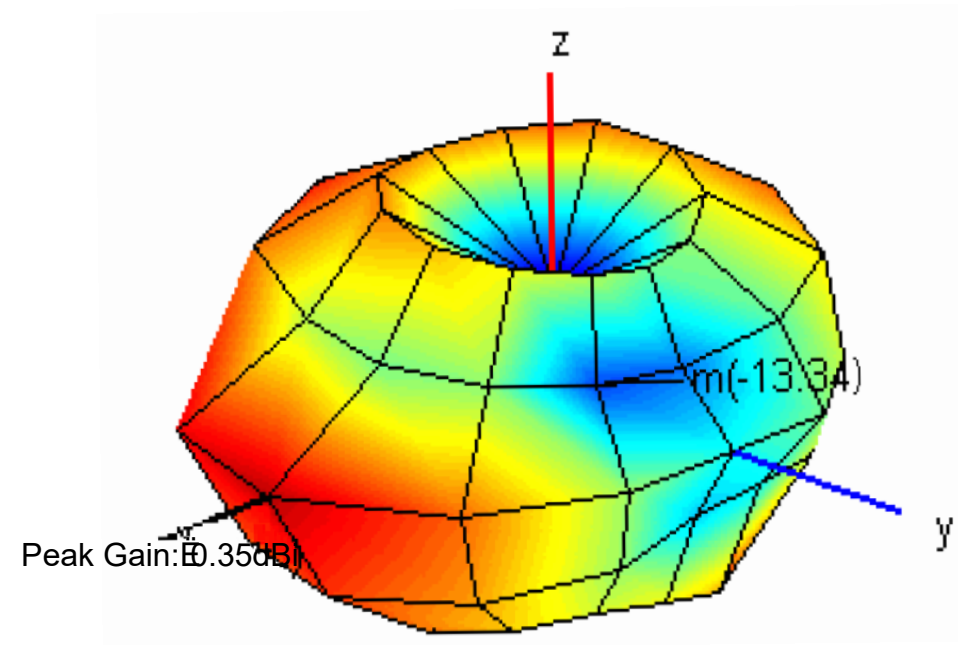
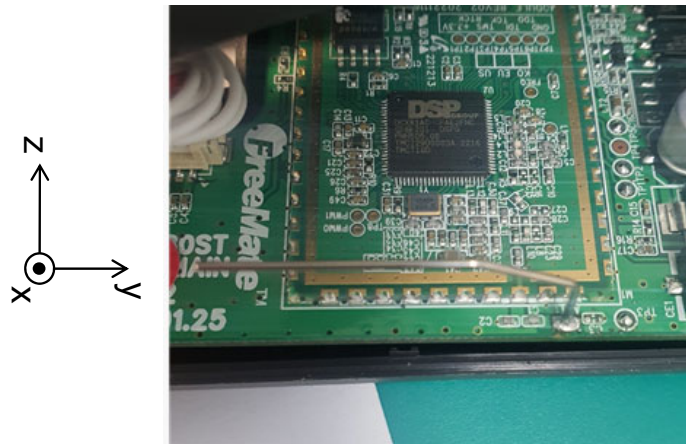
Measurement Data(1920MHz~1930MHz)

Test Name	DW-780
Operator	DASAN ELECTRONICS
Test Date & Time	2022-11-22
Description	BASE
Target Frequency	1,920 ~ 1,930 MHz

Freq. [MHz]	Peak Gain [dBi]
1920	-0.35
1925	-0.40
1930	-0.75

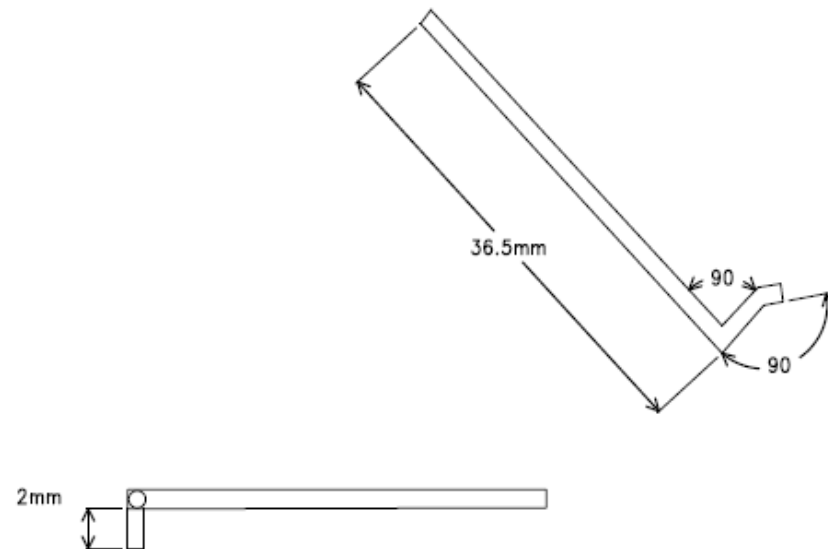
# BASE ANTENNA

	DECT FCC 1920~1930MHZ
Peak Gain(dBi)	<b>-0.35dBi</b>



## 2. Headset Antenna

- It is designed by DASAN ELECTRON
- Metal 0.8mm thickness
- Ni Plating



### Measurement Data(1920MHz~1930MHz)

Test Name	DW-780ST
Operator	DASAN ELECTRONICS
Test Date & Time	2022-11-22
Description	HEADSET
Target Frequency	1,920 ~ 1,930 MHz

Freq. [MHz]	Peak Gain [dBi]
1920	-0.36
1925	-0.59
1930	-0.83

# HEADSET ANTENNA

	DECT FCC 1920~1930MHZ
Peak Gain(dBi)	<b>-0.36dBi</b>

