

User's Manual

DECT Base Station



LIST OF DECT Base Station

All the models have the same identical in interior structure, electrical circuits and components

1. DW-780
2. DW-780U
3. DW-780B
4. DW-780UB
5. DW-780BT
6. HB-780
7. HB-780B
8. HB-780U
9. HB-780BU
10. X450
11. X450U
12. X450UB
13. X450BT
14. GG-900

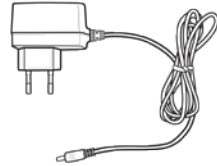
What's included



Base & Headset



Telephone cord

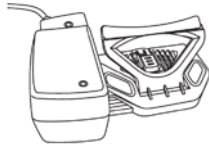


Power Adapter

Optional Accessories



BusyLight



DL-570 Lifter

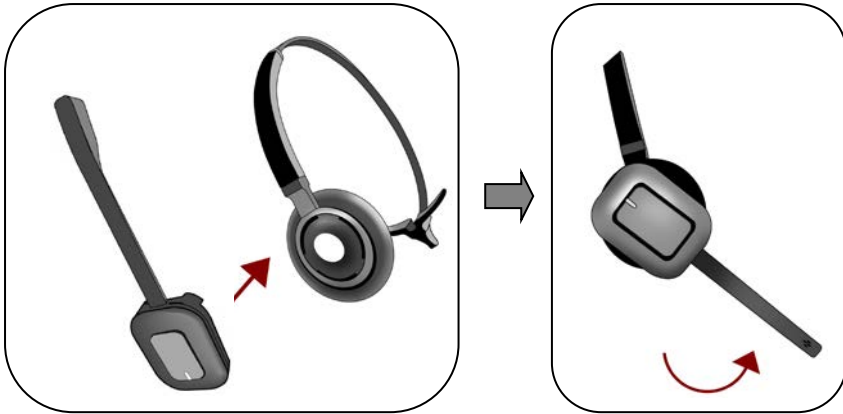


USB Cable

Refer to the
EHS Guide

Electronic Hook
Switch (EHS)

Attaching the headband

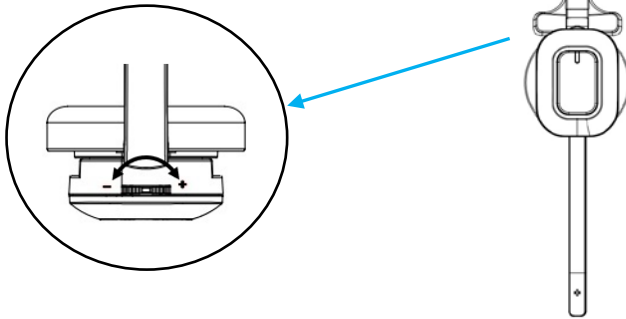


- Fit the headband on the headset and the microphone boom arm will then rotate to your required position.

Positioning the Microphone

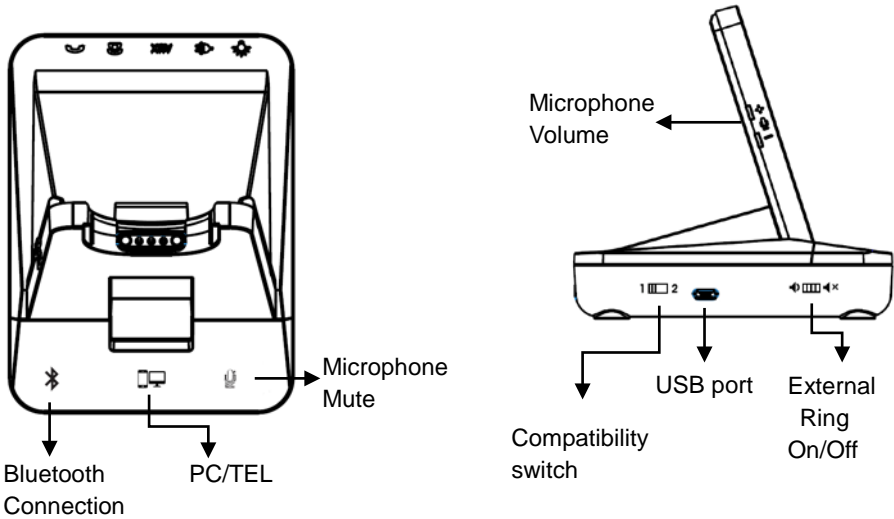
Holding the headset, rotate the headband to bring the boom close to your mouth.

The ideal placement for the microphone is usually at the corner of your mouth, not in front of it, and about an inch from your face. Be sure that the side of the microphone is pointed toward your mouth.



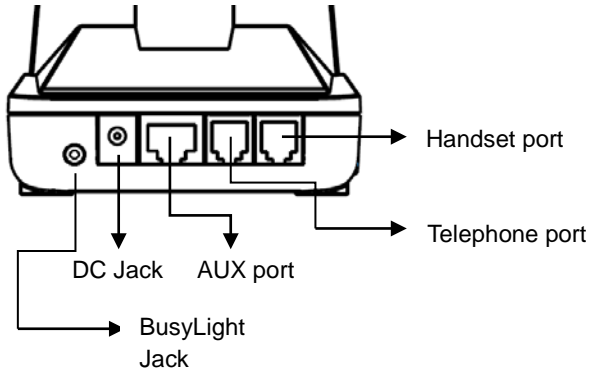
To change the speaker volume: tilt the volume switch towards the 'plus' sign to increase the volume and tilt the switch towards the 'minus' sign to decrease the volume and press the switch to activate the microphone mute mode.

Base Unit (Front & Left side)

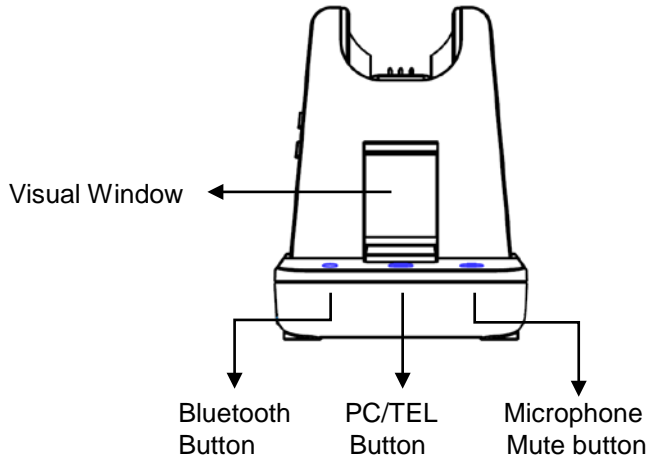


Bluetooth Button	This function works for DW-780B and DW-780UB model.
PC/TEL Selection	This function works for DW-780U and DW-780 UB model.
Microphone Mute Button	Touch to mute the call
Microphone Volume	When connected, you can adjust the volume level for the best microphone volume.
Compatibility Switch	Select '1' or '2' until a dial tone is heard via the telephone connection
USB Port	This is for PC connection through the USB cable
External Ring On/Off	This is external ring alert for incoming call when you use softphones. (It only works with PC mode.)

Base Unit(Back side)



BusyLight Jack	Connect BusyLight plug to the jack(optional extra)
DC Jack	Connect Power Adapter to DC Jack
AUX port	Connection for Handset Lifter or EHS Adapter(optional extra)
Telephone Port	Connect telephone cord to the headset port or handset port
Handset Port	Plug Handset cord from the phone to Handset port



Visual Indicator

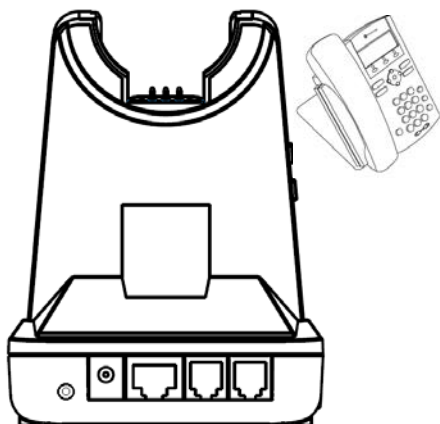
Charging Status	LED status (Headset)	Visual Window(Base)
Charging	Red LED: 'ON'	White
Full Charged	Blue LED: 'ON'	White
Low Battery		Blinking in White
Incoming Call		Blinking in Green

Event	LED status
Press Microphone mute	Mute indicator : 'ON'
Press PC/TEL selection	PC/TEL Indicator - TEL : 'OFF' PC : 'ON'
Bluetooth Connection	Pairing mode : Blinking Connected : 'ON' Disconnected : 'OFF'
Hook Off	BASE : Transparent Window Green Headset : Blue LED is blinking twice in every 3 sec

Audio Indicator

Event	Sound Effect
Speaker /Microphone volume	Beep Sound 'UP' - High tone,'DOWN' – Low Tone
Max/Min Speaker volume	Double beep
Max/Min microphone volume	Double beep
Microphone mute/unmute	Mute : beep Unmute : Double beep
Mute reminder	Beep in every 5 sec
Hook Off / On	Hook Off : Double beep(High tone), Hook On : Double beep(Low tone)

Setting up the Base



Desk Phone with Headset Port

- Plug the supplied telephone cord into the TEL port of the BASE Unit
- Connect the telephone cord to the HEADSET port of the desk phone

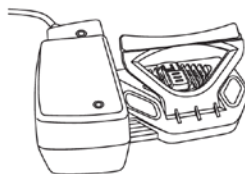


Desk Phone without Headset Port

- On the desk phone, unplug the handset cable from the phone
- Plug the handset cable into the HANDSET port on the BASE
- Plug the telephone cord into the TEL port on the BASE unit and plug the other end of the telephone cord into the HANDSET port on the desk phone

Additional Accessories

DL-570 LIFTER



The DL-570 LIFTER remotely lifts the desk phone handset

To make or answer a call.

Electronic Hook Switch (EHS) Adapter

EHS Adapter enables an incoming call to be answered or ended by using the On/Off

- EHS is only compatible with certain telephone systems. In order to determine which telephones are compatible with the EHS feature, please refer to EHS guide or contact your local distributor. Please also refer to your telephone's user manual for clarification.

Operating Instructions

- Plug the Power Adapter DC Jack into the back of the Base Unit.(See **Note 1 below**)
- Press the Hook On/Off switch to make a call
- Select compatibility switch '1' or '2' position until you can hear the dial tone
- Adjust speaker and microphone volume to suit your requirement
- Press the Hook On/Off switch to end a call

Note 1 : Factory default setup : Pairing

- Place the headset on the cradle
- Plug the power adapter into the base unit (Pairing process is automatically proceeding): Tel indicator is blinking.
- Press the 'mute button' of the headset until LED of the headset is blinking.
- If pairing is completed, you can hear beep sound and LEDs of base and headset will be off.

Connecting To a PC

Plug the USB cable to the port on the left side of base unit.

Connect the USB cable to any free USB port on the PC.

DW-780 is optimized for Skype for Business and supports Skype, Broadsoft UC-Client, Avaya One-X agent, One-X Communicator, Cisco Jabber, Bria(X-Lite), Mitel Micollab and 3CX softphones with SoftLink

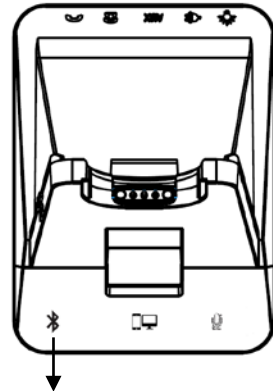
- Note : SoftLink is a PC software enabling USB devices to have Remote Call Control over various softphones.

Bluetooth Usage

On the base top case, the Bluetooth mode button can be found. When this button is pressed, the blue LED is blinking and the base unit is on Bluetooth pairing mode.

To make pairing with smartphone, PC, or any other Bluetooth device, you should put other Bluetooth device is on pairing mode, too.

On other Bluetooth device finds “DW-780B(xxxx)” . Select it to finish the Bluetooth pairing.



Bluetooth Button

After finishing pairing, “DW-780B(xxxx)” should be selected on other Bluetooth devices.

During idle, the Blue LED is blinking when the Bluetooth call is coming. And also ring beep can be heard on headset’s earpiece speaker.

To take a call, press the hook button on headset and then Bluetooth call connection can be set.

When Bluetooth call is talking, the blue LED is blinking with different period. To finish a call, press the hook button on headset.

After finishing, the blue LED is steady on and previous mode LED will be turned on.

When user makes a Bluetooth call on smartphone, the blue LED is also blinking and call processing beep can be heard on headset’s earpiece speaker.

After other party takes a call, Bluetooth call is automatically connected.

Trouble Shooting

1. Cannot hear a dial tone.

- ☞ Check the TEL/PC button. TEL Mote: PC/TEL indicator – ‘OFF’
- ☞ Please check the cable connection between Base Unit and Phone.
- ☞ Check that the power adapter is plugged in and has power
- ☞ Please check the compatibility switch. Adjust compatibility switch until you can hear the dial tone.

2. Microphone volume (TX) is low / dead.

- ☞ Make sure that the microphone (TX) mute function is deactivated.
- ☞ Check the position of the boom arm and make sure that the microphone is placed as close as possible to your mouth (approx. 2 fingers distance).
- ☞ Adjust the microphone (TX) volume on the bottom of base unit.

3. Buzzing sound on the headset

- ☞ Telephone may not be fully immune to the radio transmission between your headset and base. To overcome this problem, move the base unit to at least 30 cm/12” away from the phone.

4. Headset echoes

- ☞ Adjust the telephone’s volume. If necessary, adjust your microphone volume on the headset to a lower setting.

5. EHS doesn’t work with the telephone

- ☞ Make sure the telephone is compatible with the wireless headset. Refer to the EHS guide.

6. Headset was working, but it has stopped.

- ☞ Headset may need pairing to the base again. Refer to the ‘**Note 1**’ on ‘**Operating Instruction**’
- ☞ Headset battery may be dead. Return the headset to the cradle on the base unit for charging.

WARRANTY CARD

Mr./Mrs./Miss/Co. _____

Telephone No. _____

Address _____

Model No. _____

Brand _____

Serial No. _____

Invoice No. _____

Dealer _____

Date of Purchase _____

Note : THIS WARRANTY CARD WILL BE VOID IF IT IS
NOT MAILED BACK TO OUR COMPANY WITHIN
10 DAYS FROM DATE OF PURCHASE,
WARRANTY CONDITIONS
(PLEASE SEE OVERLEAF)

FCC Warning:

This device complies with part 15 of the FCC Rules. Operation is subject to the following two conditions:

(1) This device may not cause harmful interference, and (2) this device must accept any interference received, including interference that may cause undesired operation. Any Changes or modifications not expressly approved by the party responsible for compliance could void the user's authority to operate the equipment.

Note: This equipment has been tested and found to comply with the limits for a Class B digital device, pursuant to part 15 of the FCC Rules. These limits are designed to provide reasonable protection against harmful interference in a residential installation. This equipment generates, uses and can radiate radio frequency energy and, if not installed and used in accordance with the instructions, may cause harmful interference to radio communications. However, there is no guarantee that interference will not occur in a particular installation. If this equipment does cause harmful interference to radio or television reception, which can be determined by turning the equipment off and on, the user is encouraged to try to correct the interference by one or more of the following measures:

- Reorient or relocate the receiving antenna.
- Increase the separation between the equipment and receiver.
- Connect the equipment into an outlet on a circuit different from that to which the receiver is connected.
- Consult the dealer or an experienced radio/TV technician for help.

FCC Exposure to Radio Frequency (RF) Signals

For Handset

This is a radio transmitter and receiver. It is designed and manufactured not to exceed the emission limits for exposure to radio frequency (RF) energy set by the Federal Communications Commission (FCC) of the U.S. Government. These limits are part of comprehensive guidelines and establish permitted levels of RF energy for the general population. The guidelines are based on the safety standards previously set by both U.S. and international standards bodies. These standards include a substantial safety margin designed to assure the safety of all persons, regardless of age and health. This device and its antenna must not be co-located or operating in conjunction with any other antenna or transmitter. This product has been shown to be capable of compliance for localized specific absorption rate (SAR) for uncontrolled environment/general population exposure limits specified in ANSI/IEEE Std. C95.1-1992 and had been tested in accordance with the measurement procedures specified in FCC/OET Bulletin 65 Supplement C (2001) and IEEE 1528.

For Base

This equipment complies with FCC radiation exposure limits set forth for an uncontrolled environment. This equipment should be installed and operated with minimum distance 20cm between the radiator & your body.

This transmitter must not be co-located or operating in conjunction with any other antenna or transmitter.