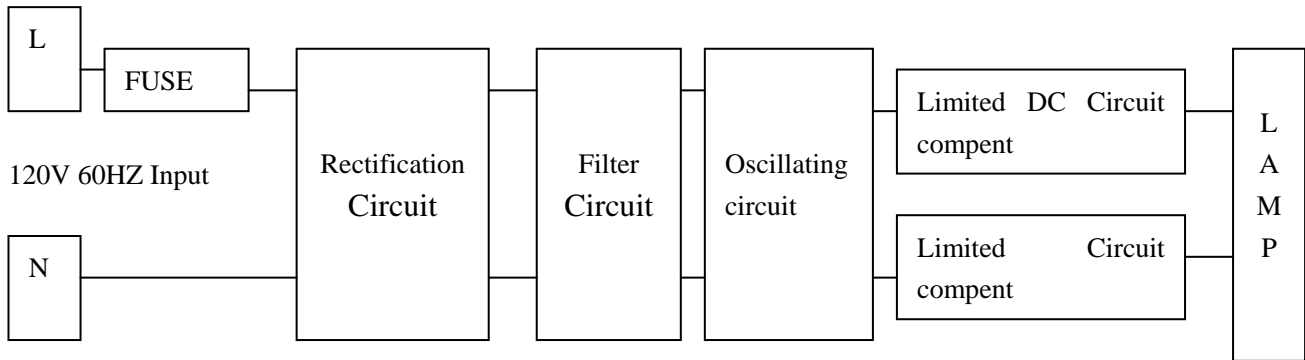


## Circuit Block Diagram and Circuit Description

### 1 Circuit Block Diagram



### 2 Circuit Description:

Fuse: When input is shorted, it performs input shorted protect function.

L0、 C0: Work together with to performs EMI function.

D1、 D2、 D3、 D4: Performs rectification function.

T1,T2: Performs Oscillating function, let low frequency switch high frequency.

L4、 C4、 C5: When switching power, the L4and C5 take place series resonance startup the lamp, then L4 restricting current.