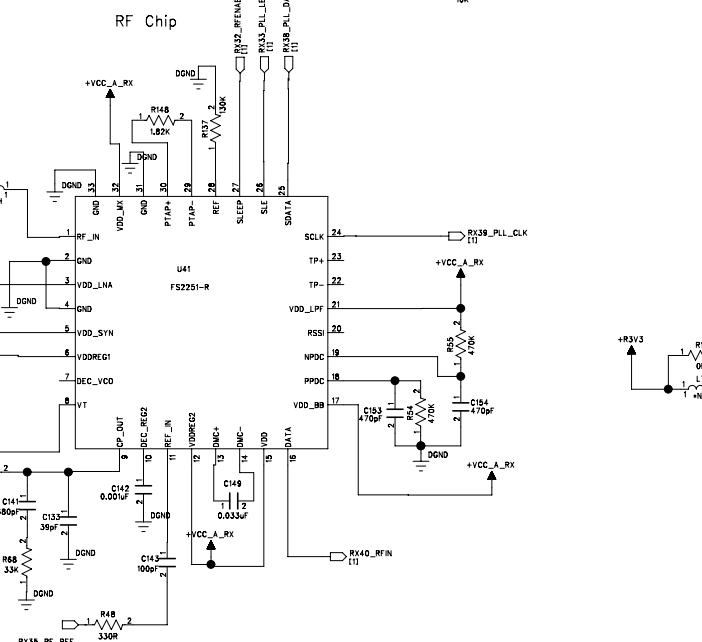
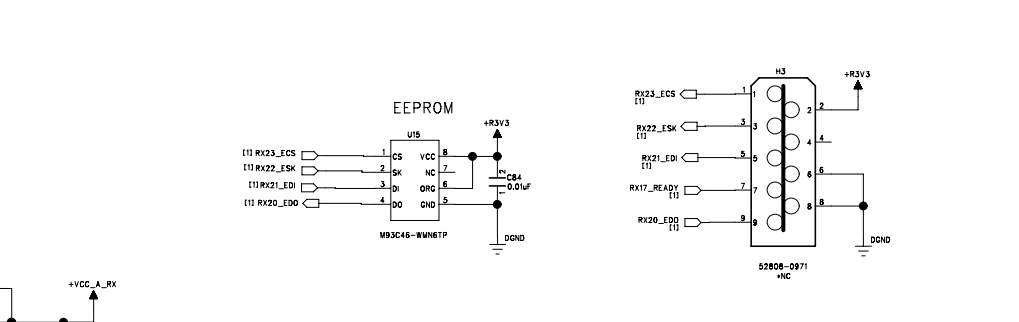
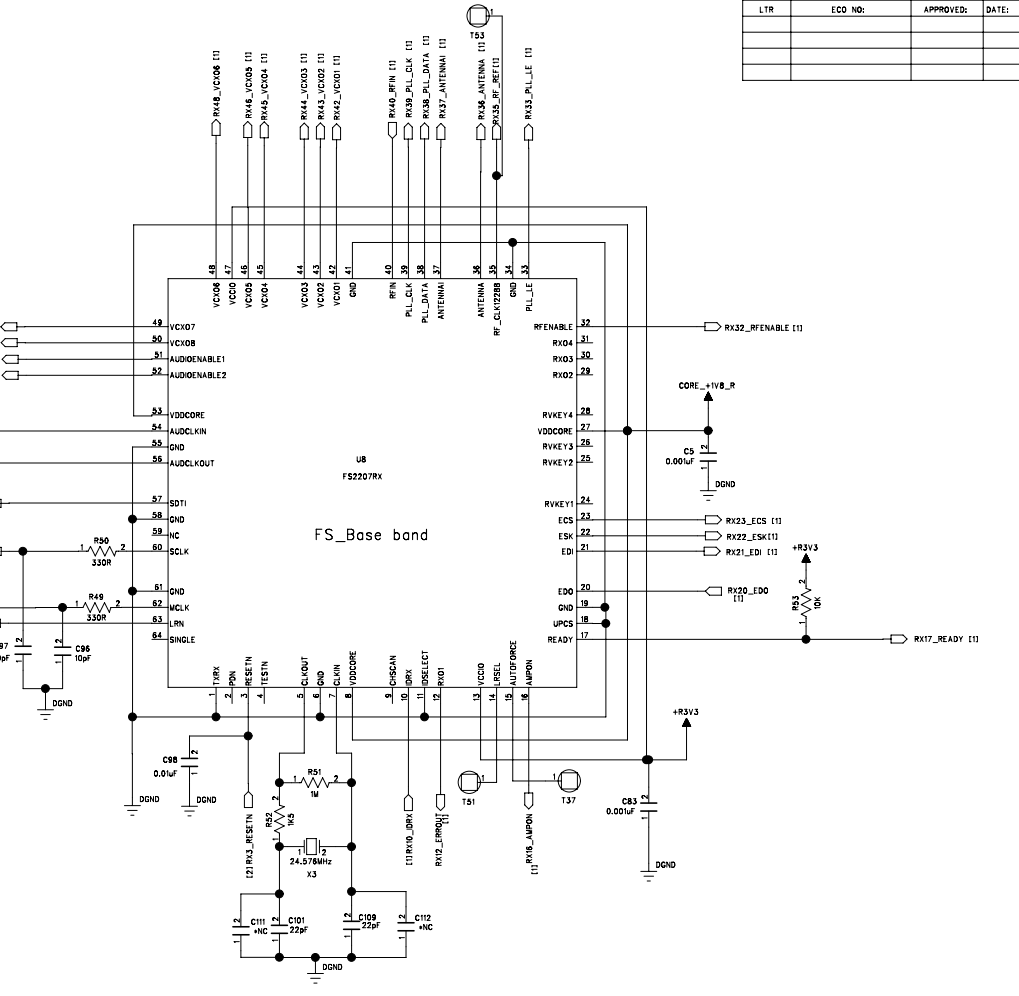
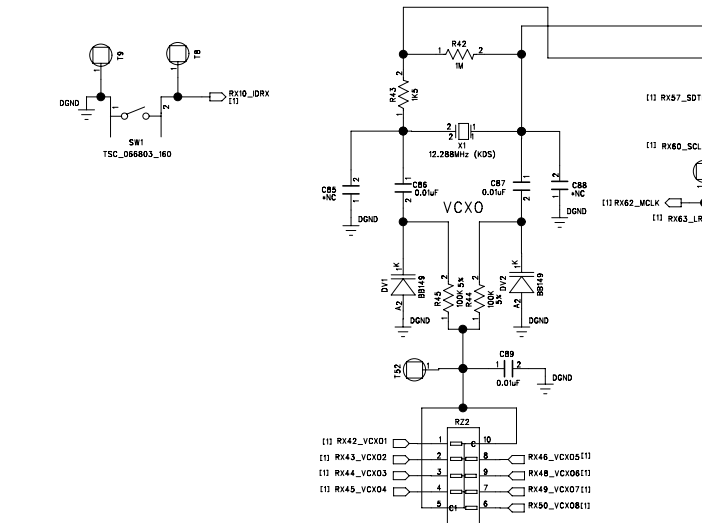
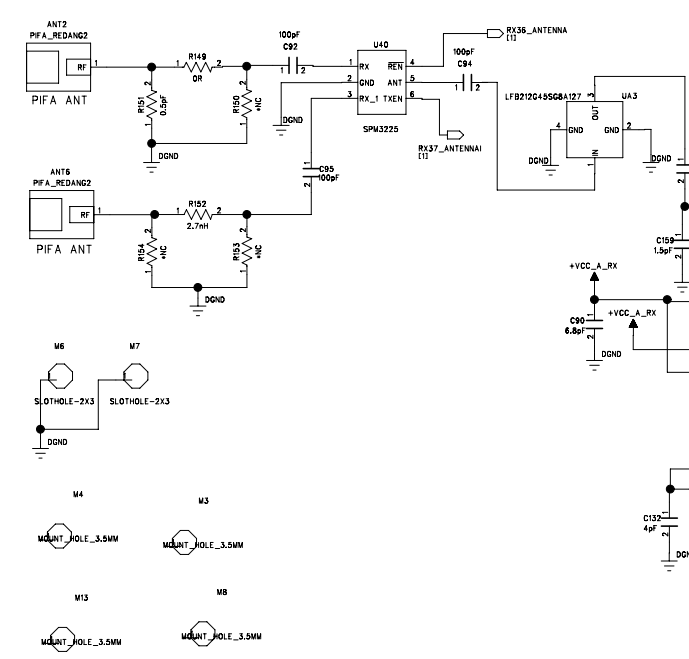
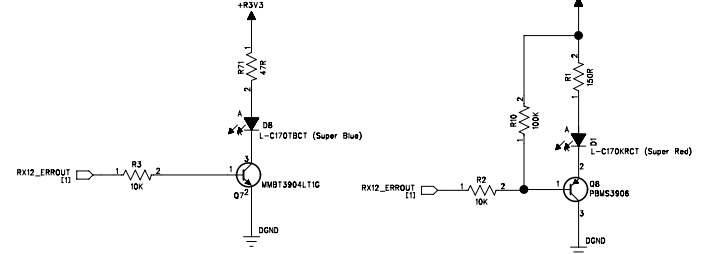
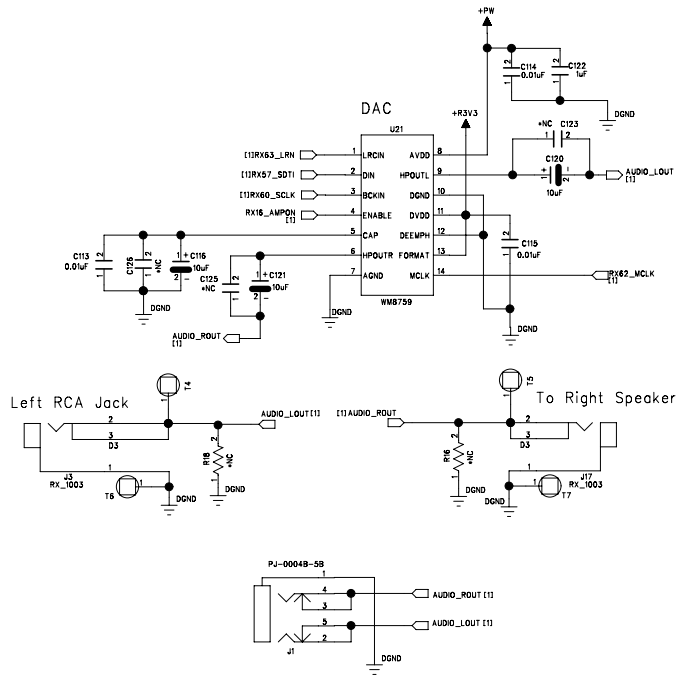


REVISION RECORD			
LTR	ECO NO:	APPROVED:	DATE:



COMPANY:		TITLE:	
DRAWN: Ken Lim		DATED: 10 Dec 07	
CHECKED: Siew CK		DATED: 10 Dec 07	
QUALITY CONTROL:		DATED:	
RELEASED: Ken Lim		DATED: 10 Dec 07	
SCALE:		SHEET: OF	

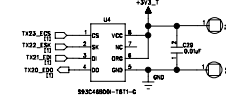
DRAWN: Ken Lim		DATED: 10 Dec 07	
CHECKED: Siew CK		DATED: 10 Dec 07	
QUALITY CONTROL:		DATED:	
RELEASED: Ken Lim		DATED: 10 Dec 07	

Brandon RX			
CODE:	SIZE:	DRAWING NO:	REV:
		EE078001_SCH	d0.7

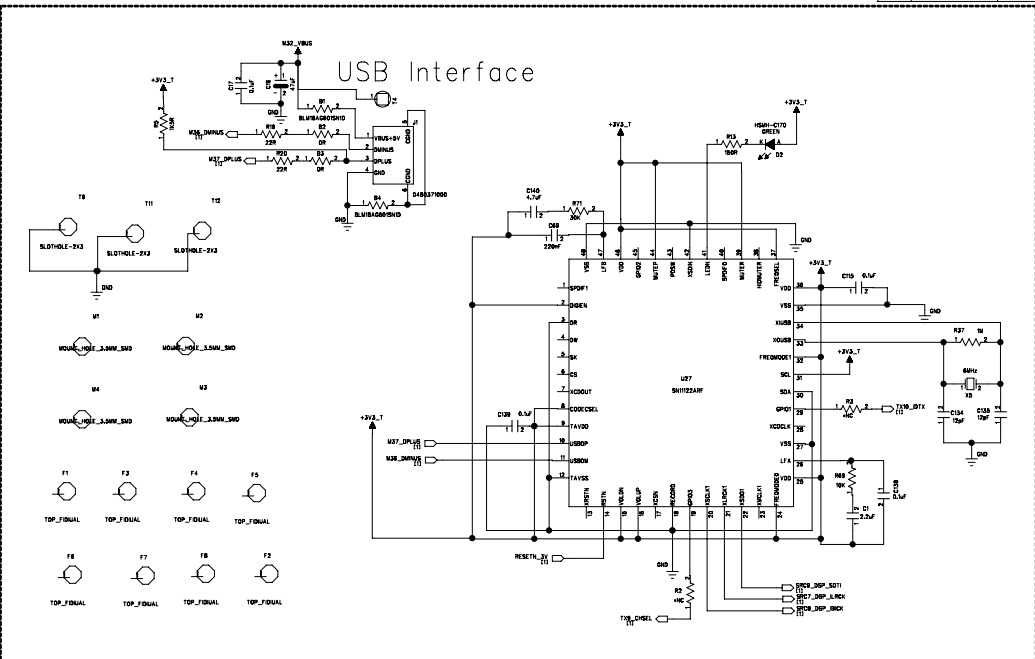
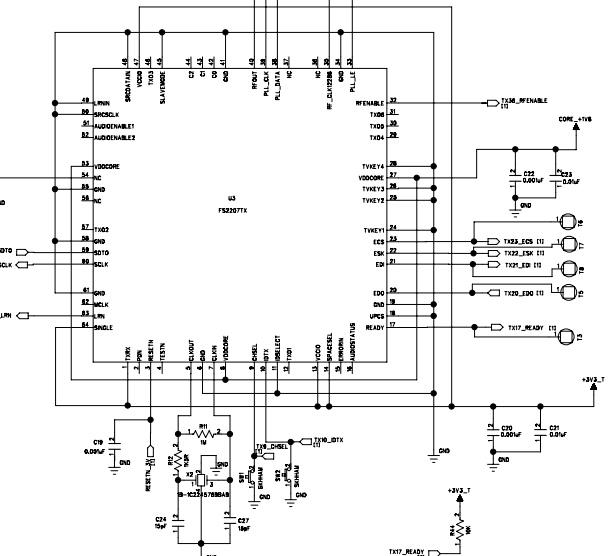
Jupiter - USB Tx Dongle

REVISION RECORD			
LT#	ECO NO.	APPROVED:	DATE:

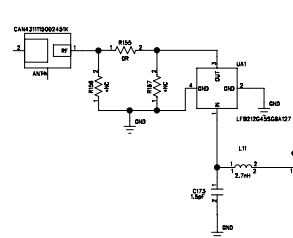
uWire EEPROM for FS



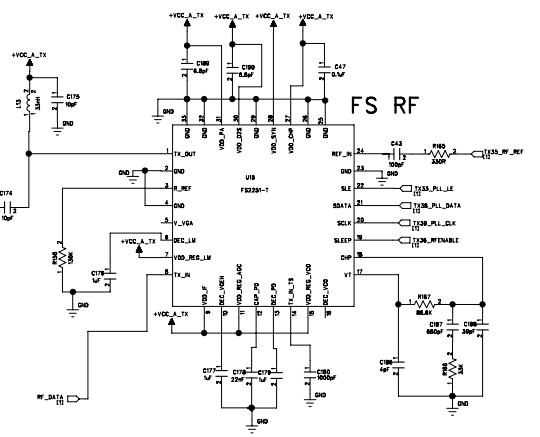
FS Baseband



Antenna

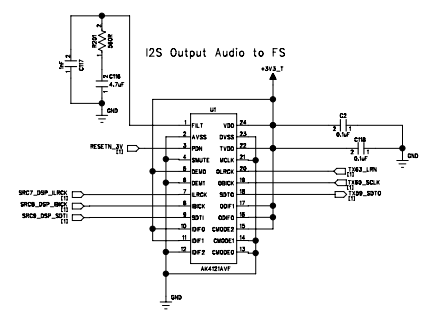


FS RF

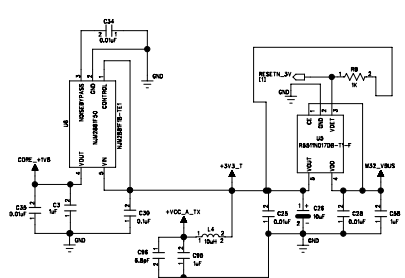


ASRC (Slave IN from Sonic IC), (Slave OUT to FS)
 I2S INPUT Audio from Sonic IC
 OUTPUT Audio = Slave Mode (To FS)

I2S Output Audio to FS



Supply (+1V8 & +3V3)



COMPANY:			
TITLE: Jupiter			
DRAP: Ken Lim	DATE: 21st Aug 07	COO:	REV: R1
DESIGN: Siew Ch	DATE: 21st Aug 07	SIZE:	EE062001_SCH
QUALITY CONTROL:	DATE:	SCALE:	SHEET: 1 OF 1
RELEASED: Ken Lim	DATE: 21st Aug 07		