

PRELIMINARY

Features:

- 2.400 - 2.483 GHz frequency band coverage
- 6 dBi Gain
- Black Kydex radome
- MMCX(m) RF connector



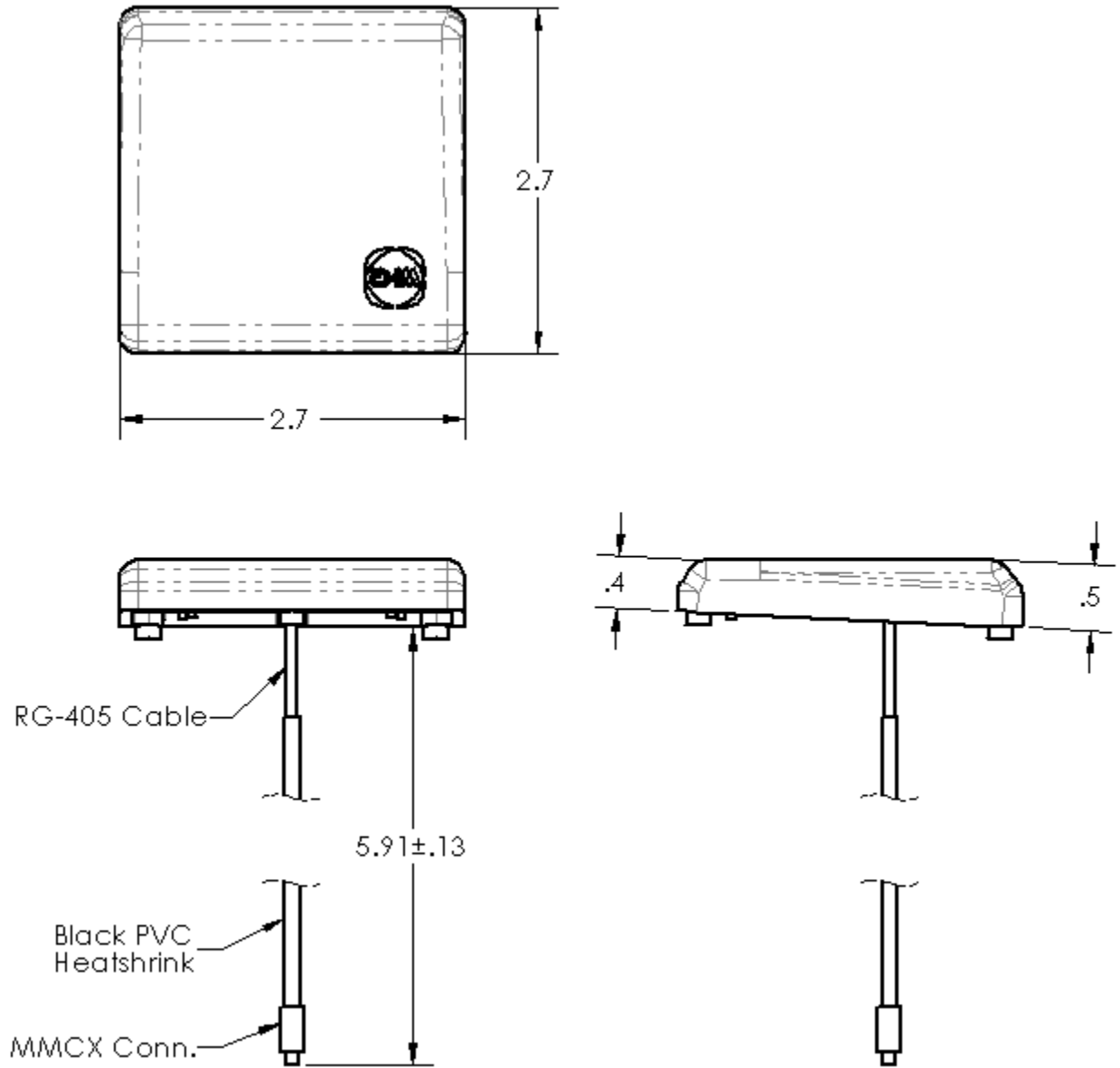
Product Specifications

Parameter	Value	Units	Tolerance
Antenna Pattern	Directional Antenna		
Frequency Band	S Band		
Impedance	50	Ohms	
Minimum Frequency	2.4 / 2,400	GHz / MHz	
Maximum Frequency	2.483 / 2,483	GHz / MHz	
Frequency Bandwidth	0.083 / 83	GHz / MHz	
Maximum VSWR	2:1	Ratio	
Gain	6	dBi	When installed on metal mounting plate
Ground Plane Required	Yes		
Radome Material	ABS		
Color	Black		
RF Connector Type	MMCX(m)		

PRELIMINARY

Parameter	Value	Units	Tolerance
Product Length	6.40 / 162.56	inches / mm	±.13
Product Width	2.70 / 68.58	inches / mm	
Product Height	2.70 / 68.58	inches / mm	

PRELIMINARY



Engineering Drawing