

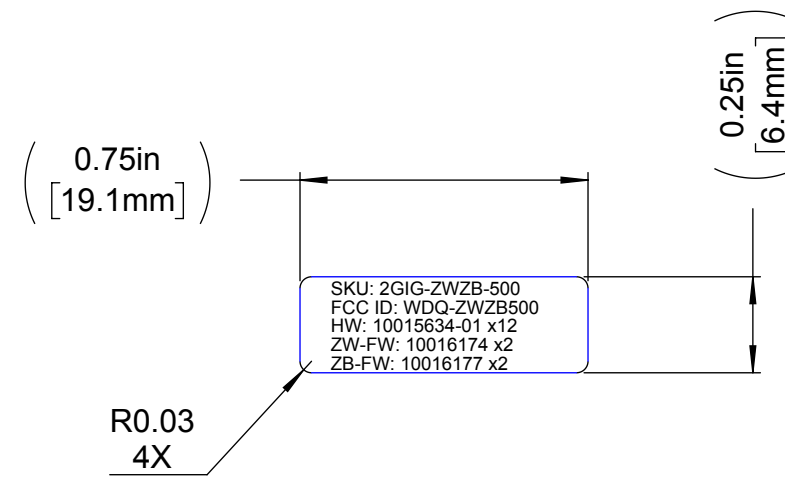
8 7 6 5 4 3 2 1

REVISIONS

REV.	DESCRIPTION	DATE	APPROVED
X1	PROTOTYPE RELEASE	5/19/2017	ECO-021807
X2	CHANGE REVISION FOR ZW-FW AND ZB-FW TO X2 FROM X1; CORRECT FW PART NUMBER TO 10016177	6-5-17	ECO-021899

NOTES: (UNLESS OTHERWISE SPECIFIED)

1. MATERIAL P/N: 217362.
2. INK(PERMANENT): BLACK.
3. TEXT FONTS TO BE SIMILAR TO BELOW.



UNLESS OTHERWISE NOTED ALL DIMENSIONS ARE INCHES [MM]:		CONFIDENTIAL STATEMENT: THIS DOCUMENT CONTAINS INFORMATION CONFIDENTIAL TO 2GIG TECHNOLOGIES AND MAY NOT BE COPIED IN WHOLE OR PART WITHOUT AUTHORIZATION OF 2GIG TECHNOLOGIES, INC.					
TOLERANCES: DECIMALS .XX±.01 [.3] ANGLES: ±0.5° .XXX±.005 [.13] ROUNDNESS: ±.005 [.13] FLATNESS: ±.005 [.13] CONCENTRICITY: ±.005 [.13]		CAD OPERATOR: D. ROBINSON DATE: 5/19/2017 CHECKED: DATE: APPROVED: DATE: APPROVED: DATE:				TITLE: LABEL, ZigWave Module	
MATERIAL: NOTED		FINISH: NOTED		SIZE: B		DRAWING NO.: 10017349	REV.: X3
				SCALE: 2:1	DO NOT SCALE DRAWING	SHEET: 1 OF 1	

THE INFORMATION CONTAINED IN THIS DRAWING IS THE SOLE PROPERTY OF NORTEK SECURITY & CONTROL. ANY REPRODUCTION IN PART OR AS A WHOLE WITHOUT WRITTEN PERMISSION OF NORTEK SECURITY & CONTROL IS PROHIBITED.

8 7 6 5 4 3 2 1

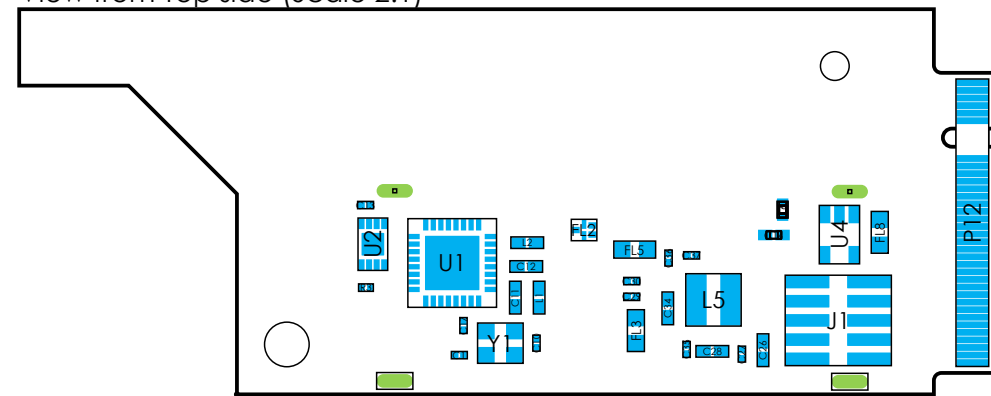
A B C D E F

NOTES:

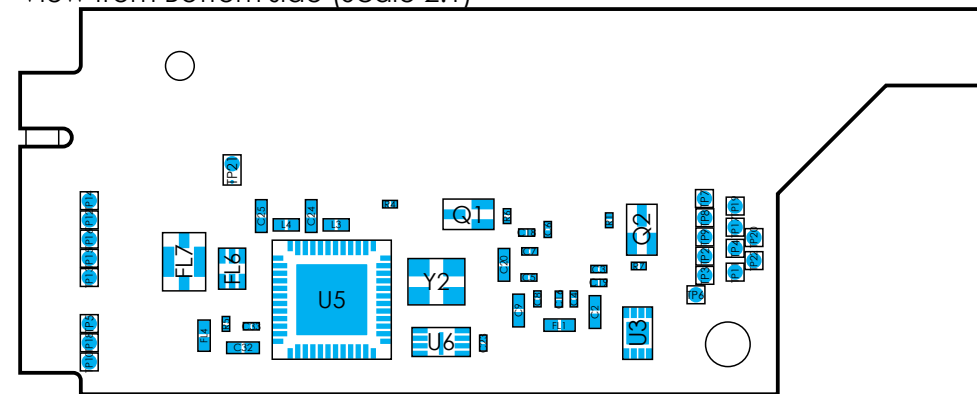
- ① PN 10015633, PCB
- ② PN 10015755, SHIELD TOP
- ③ PN 10015756, SHIELD BOTTOM
- ④ PN 10009102, TAPE, FILM, KAPTON, 5413, AMBER, 1/2" X 1.5"
- ⑤ PN 10017349, FCC LABEL

REVISION	DESCRIPTION	DATE	ECO NUMBER
X3	ANTENEA CHANGE AND VARIOUS FACTORY DFM CHANGES	04/10/2017	ECO-021546
X4	ADD SHIELD AND KAPTON TAPE TO SHEET 2	04/20/2017	ECO-021600
X5	ADD, L6, C14, TP22.	08/08/2017	ECO-021721
X6	ADD HW/FW AND SERIAL NUMBER LABELS	05/20/2017	ECO-021807

View from Top side (Scale 2:1)



View from Bottom side (Scale 2:1)



①

TITLE		
ZigWave		
SIZE	DWG. NO.:	REV:
B	10015636	X6
SCALE:	1:1	SHEET 1 OF 2

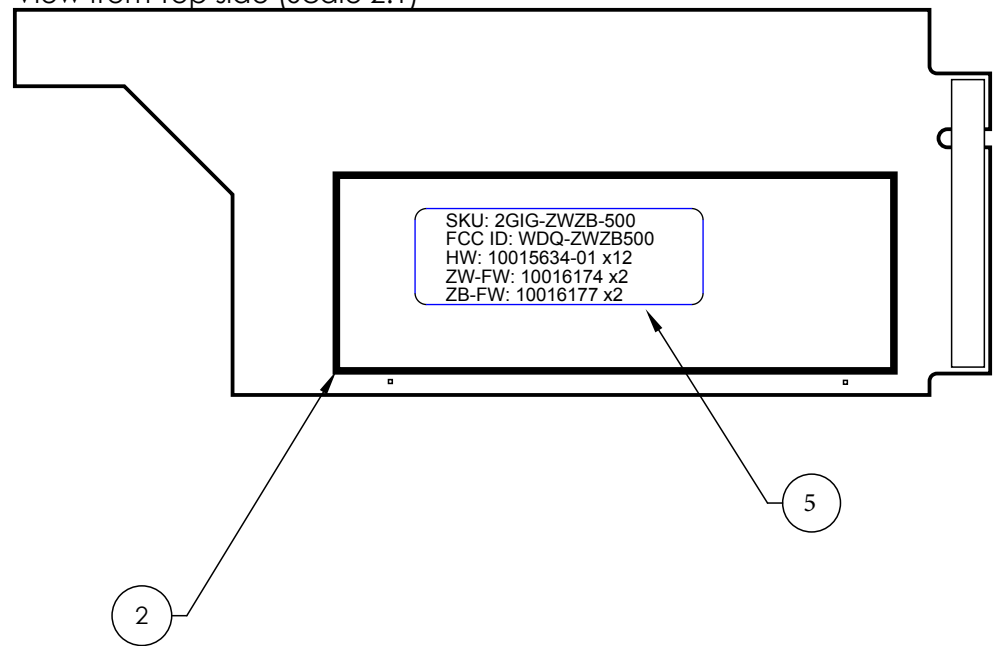
THE INFORMATION CONTAINED IN THIS DOCUMENT IS THE CONFIDENTIAL PROPERTY OF NORTEK SECURITY & CONTROL. ANY REPRODUCTION IN PART OR AS A WHOLE WITHOUT WRITTEN PERMISSION IS PROHIBITED.

A B C D E F

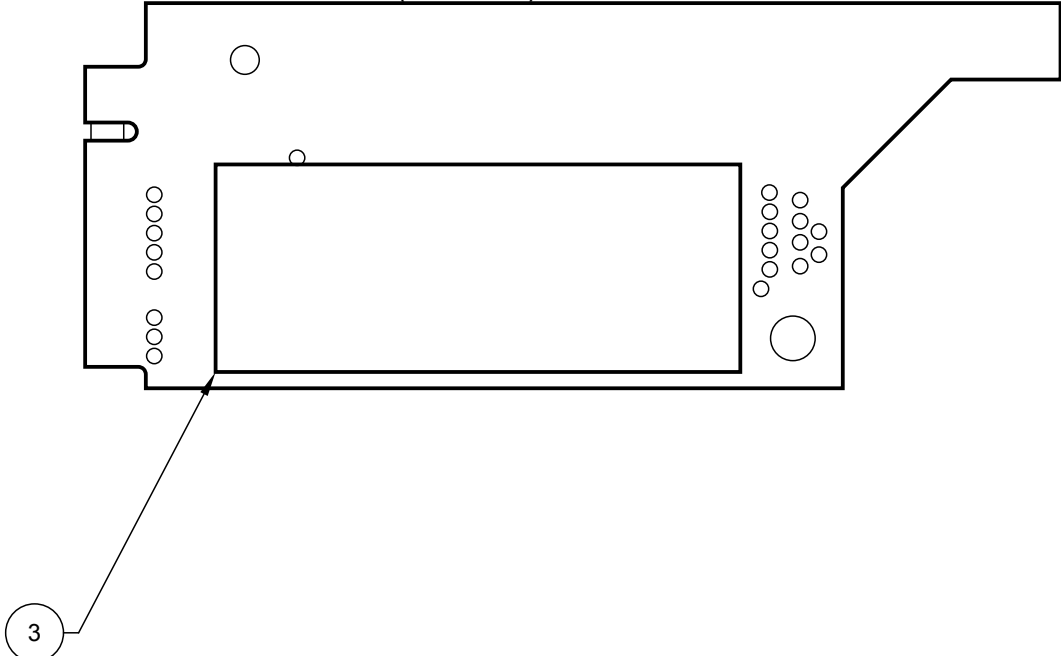
1

1

View from Top side (Scale 2:1)



View from Bottom side (Scale 2:1)



View from Front side (Scale 2:1)



THE INFORMATION CONTAINED IN THIS DOCUMENT IS THE CONFIDENTIAL PROPERTY OF NORTEK SECURITY & CONTROL. ANY REPRODUCTION IN PART OR AS A WHOLE WITHOUT WRITTEN PERMISSION IS PROHIBITED.

TITLE		
ZigWave		
SIZE	DWG. NO.:	REV:
B	10015636	X6
SCALE:	1:1	SHEET 2 OF 2

4

4

NOTES: (UNLESS OTHERWISE SPECIFIED)

- 1 MINIMUM QUANTITY OF LABELS PER ROLL 15,000.
- 2 LABELS AND ROLL MUST BE COMPATIBLE WITH INTERMEC 3440 PRINTER

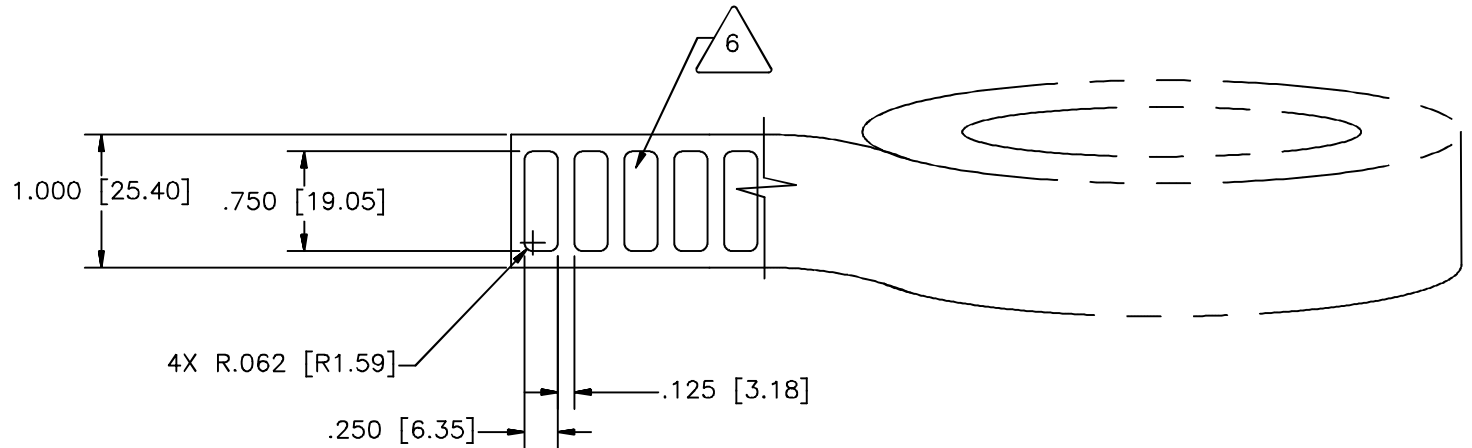
3 MATERIAL: DURATRAN II WITH ADHESIVE BACKING OR EQUIVALENT.
 INK: LINX DIAGRAPH TR4070 RIBBON OR EQUIVALENT.

4 REMOVED

5 TOLERANCE: .XXX ±.020 [.51]

6 WIND COATED SIDE OUT.

REVISIONS				
ZONE	REV	DESCRIPTION	DATE	APPROVED
	A	PRODUCTION RELEASE PER ECO 7448	3/21/00	JWK
	B	REVISED PER ECO 7857 BON		



UNLESS OTHERWISE NOTED ALL DIMENSIONS ARE IN: INCHES [MM]
 TOLERANCES:
 DECIMALS ANGLES: ± .5°
 .XX±.01 [.25] CONCENTRICITY: ±.005 [.13]
 .XXX±.005 [.13] FLATNESS: ±.005 [.13]

MATERIAL:



FINISH:

DO NOT SCALE DRAWING

PROJECT:	
CAD OPERATOR: T RAMIREZ	DATE 19MAR00
CHECKED: A. FROST	DATE 3/19/00
APPROVED: JWK	DATE 3/21/00
APPROVED:	DATE
APPROVED:	DATE
APPROVED:	DATE

Linear

2055 CORTE DEL NOGAL • CARLSBAD, CA 92009

TITLE:

LABEL, BLOCK CODE,
TX ID CUSTOM

SIZE: B	FSCM NO.:	DRAWING NO.:	REV.:
		217362	B

SCALE: 1/1 SHEET: 1 OF: 1