

REVISIONS

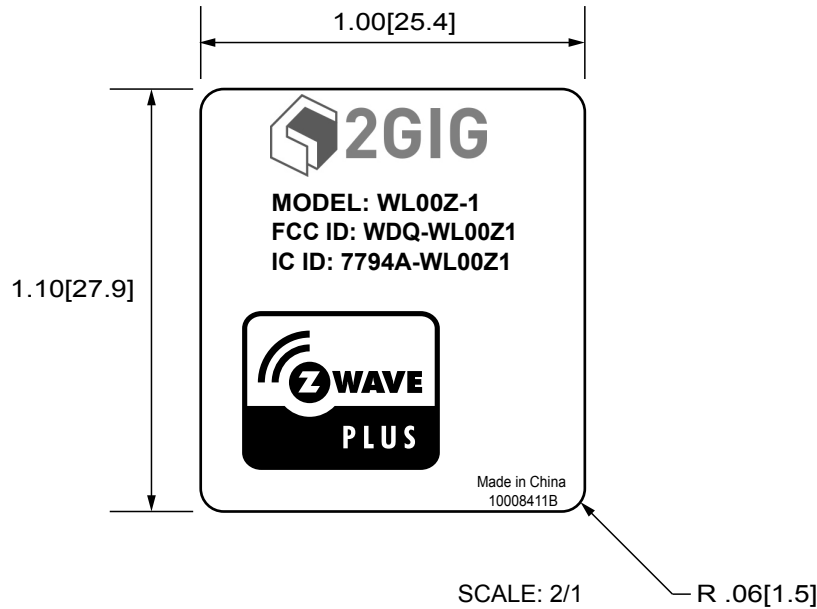
REV	DESCRIPTION	DATE	APPROVED
A	PRODUCTION RELEASE	11/04/2015	ECO-019029
B	REMOVED FCC LOGO	05/25/2016	ECO-019973

NOTES: (UNLESS OTHERWISE SPECIFIED)

1. MATERIAL: FASSON 2MIL HIGH GLOSS WHT POLYESTER NTC/S333/BG50# WHT, UL#MH20557 OR EQUIVALENT.
2. USE ART WORK #10008411.EPS



ACTUAL SIZE



UNLESS OTHERWISE SPECIFIED:
DIMENSIONS ARE INCHES [mm]:
SURFACE FINISH: NOTED
TOLERANCES:
LINEAR: .XX +/- .02 .XXX +/- .010
ANGULAR: +/- .5 DEG

CONFIDENTIAL STATEMENT:
THIS DOCUMENT CONTAINS INFORMATION
CONFIDENTIAL TO 2GIG TECHNOLOGIES
AND MAY NOT BE COPIED IN WHOLE OR
PART WITHOUT AUTHORIZATION OF 2GIG
TECHNOLOGIES, INC.

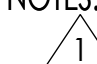


DRAWN D. ROBINSON	DATE 10/04/15
APPROVED	DATE

TITLE:
LABEL, FCC, ID, WL00Z-1

DWG NO. 10008411	B
DO NOT SCALE DRAWING SHEET 1 OF 1	

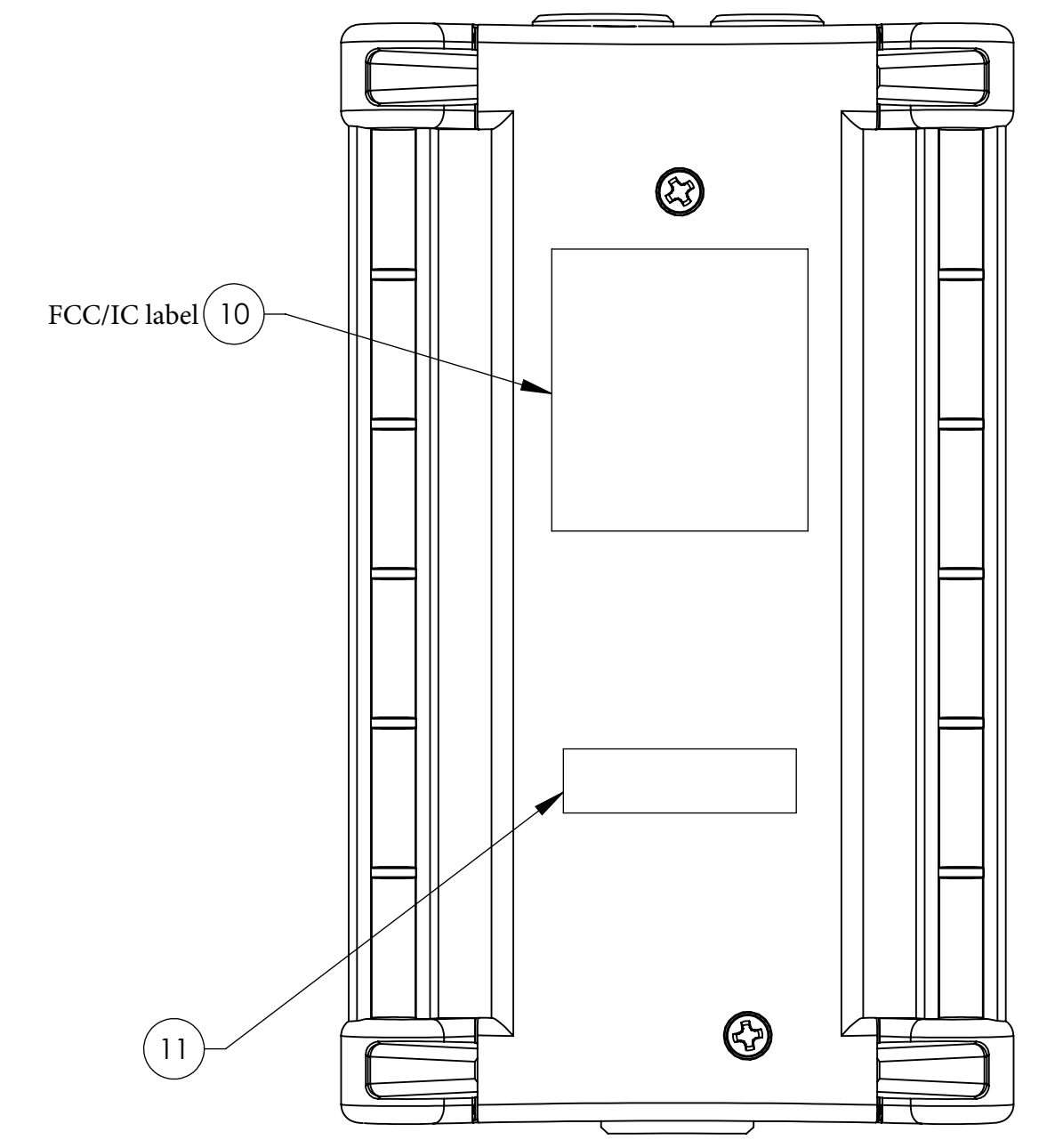
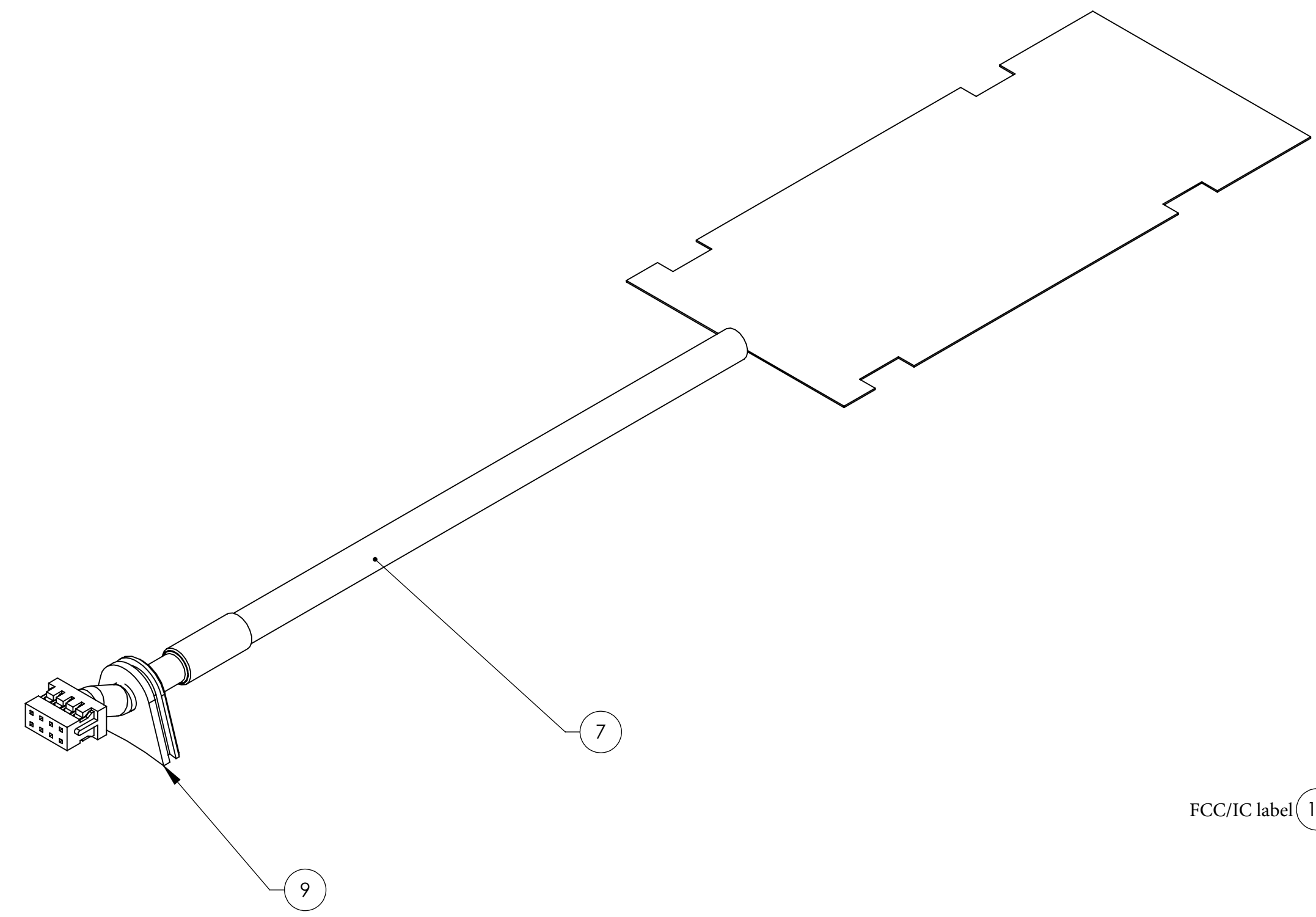
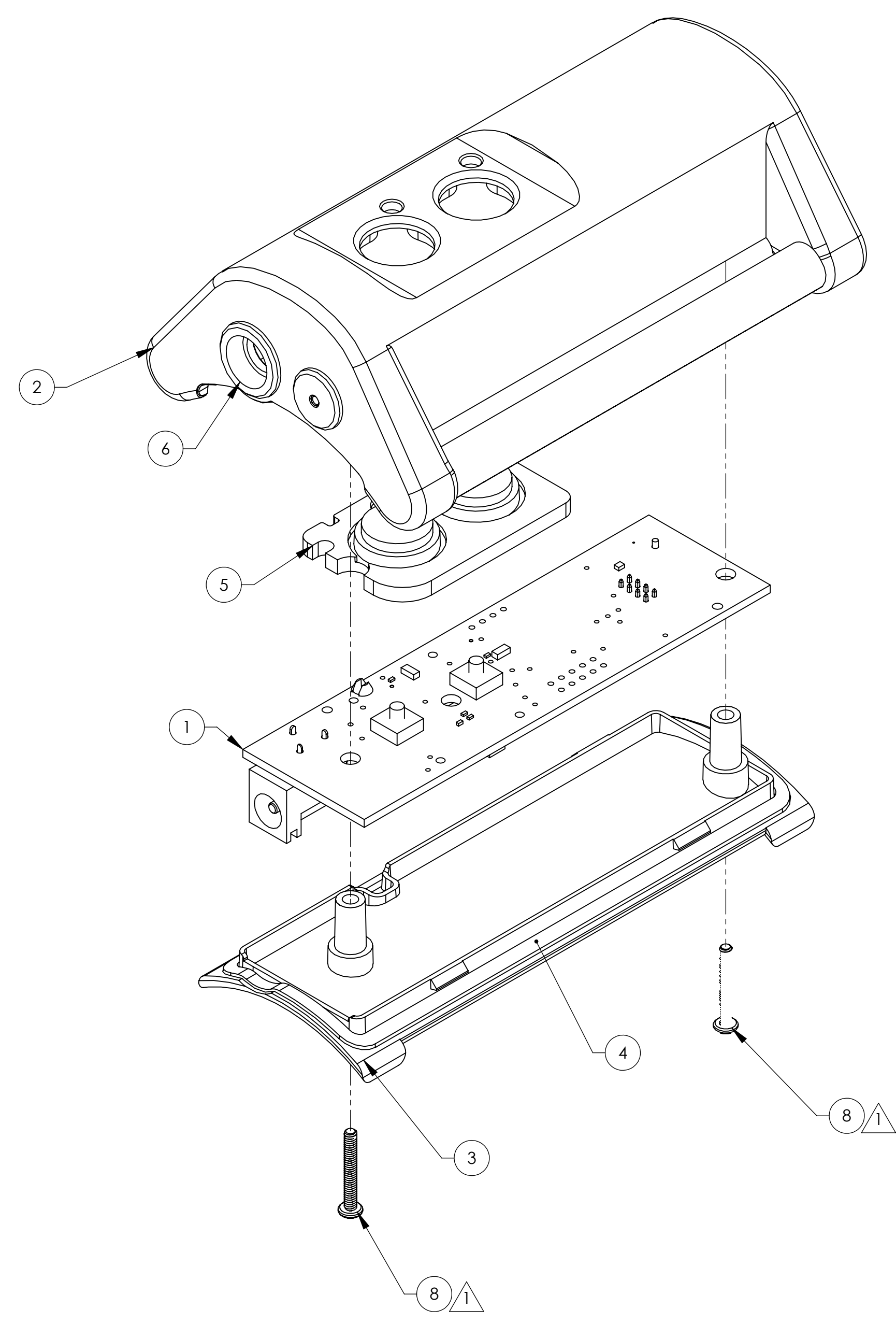
8 7 6 5 4 3 2 1

NOTES: (UNLESS OTHERWISE SPECIFIED)
 TORQUE SCREWS TO 2.0 INCH-LBS.


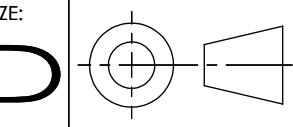
REVISIONS			
REV	DESCRIPTION	DATE	APPROVED
X3	CHANGES PER ECO-018506		
X4	CHANGES PER ECO-018879		
X5	CHANGES PER ECO-019029		

D
C
B
A

D
C
B
A



THE INFORMATION CONTAINED IN THIS DRAWING IS THE SOLE PROPERTY OF NORTEK SECURITY & CONTROL. ANY REPRODUCTION IN PART OR AS A WHOLE WITHOUT WRITTEN PERMISSION OF NORTEK SECURITY & CONTROL IS PROHIBITED.

UNLESS OTHERWISE NOTED ALL DIMENSIONS ARE INCHES (MM): TOLERANCES: DECIMALS ANGLES: ±0.5° .XX±0.1 [.3] ROUNDNESS: ±.005 [.13] .XXX±.005 [.13] FLATNESS: ±.005 [.13] CONCENTRICITY: ±.005 [.13]	PROJECT:			
	CAD OPERATOR: KTO			DATE: 08/27/2015
	MATERIAL:	CHECKED:	DATE:	TITLE: ASSY,MECH,LEAK DETECT
	FINISH:	APPROVED:	DATE:	SIZE:  DRAWING NO.: 10007934 REV.: X5
	DO NOT SCALE DRAWING	APPROVED:	DATE:	SCALE: SHEET: 1 OF 1

8 7 6 5 4 3 2 1

