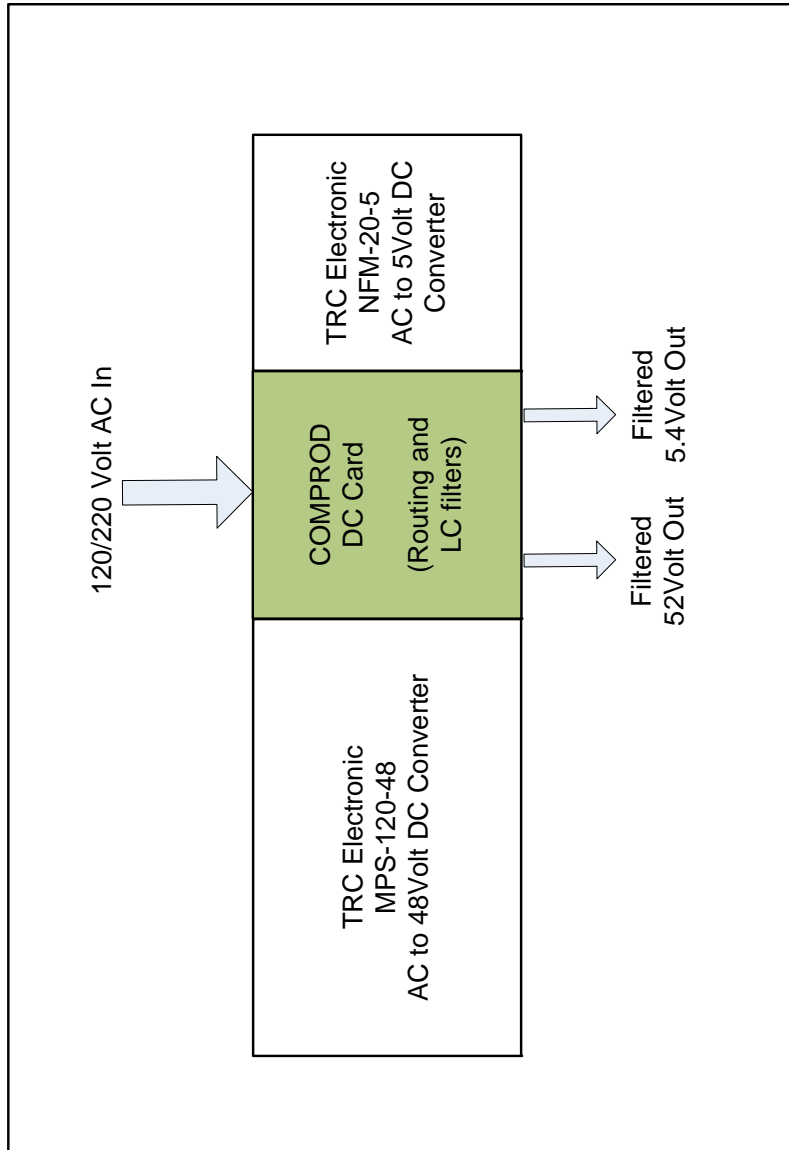


UBDA3845/UBDA4551 Bi-Directional Amplifier Module Block Diagram
 (UBDA3845 uses the PA option 1 / UBDA4551 uses the PA option 2)



UBDA3845 / UBDA4551 DC Converter Assembly