

# CAR CD/MP3 PLAYER

## KSC105B CIRCUIT OPERATION PRINCIPLE DESCRIPTION

CAR CD/MP3 PLAYER KSC105B is CD/ MP3/ USB/ SD CARD player with radio reception.

Main control Circuit (fig1) deal with DSP (Digital Signal Process) and power control.

Fig1a

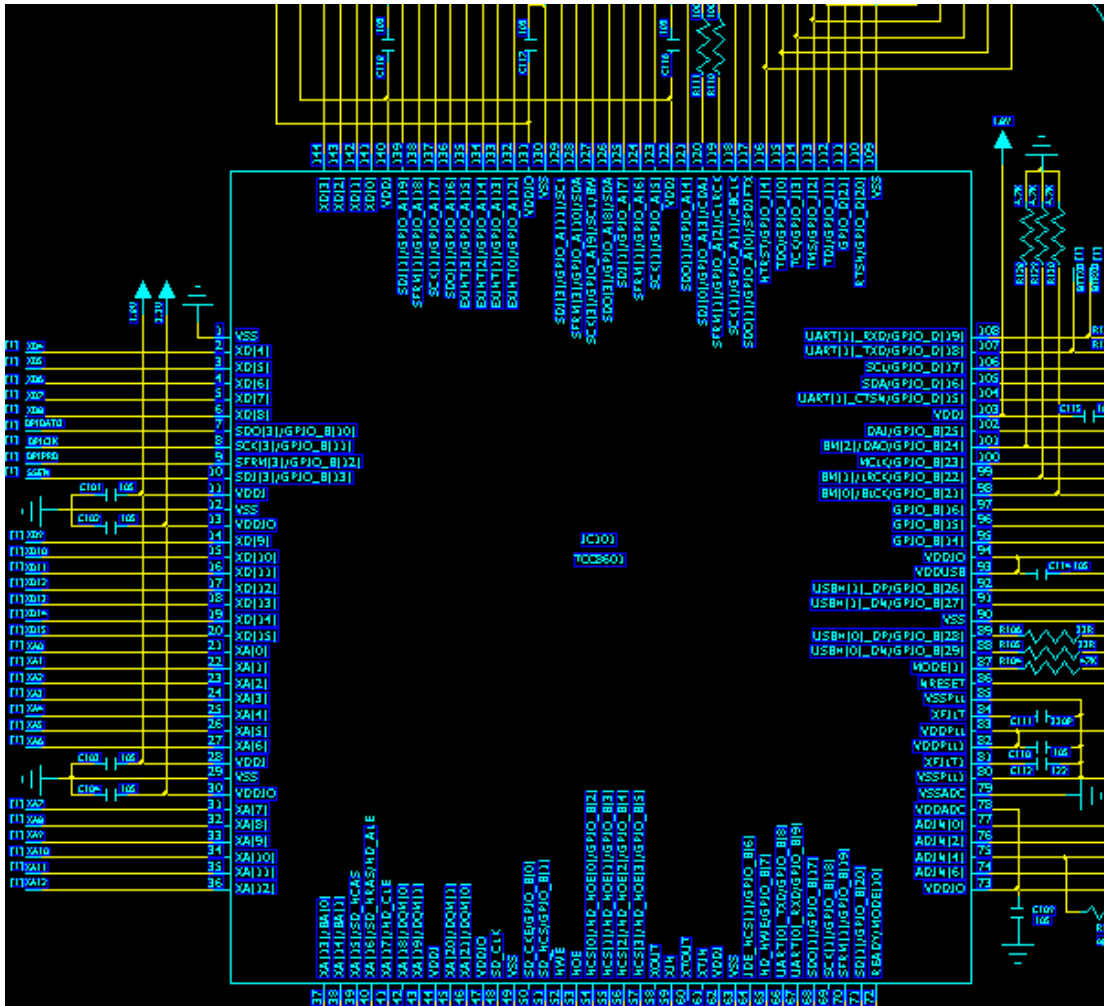
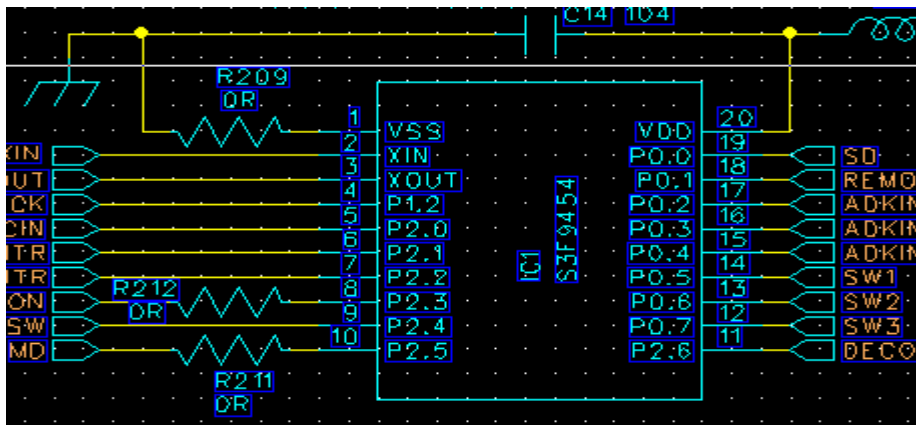
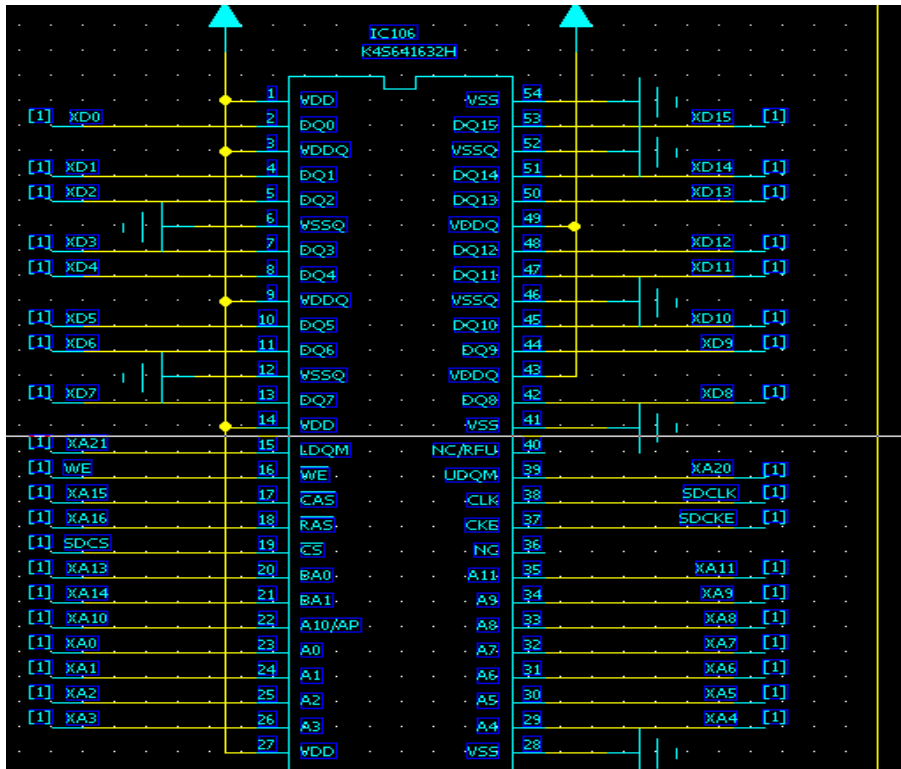


Fig1b



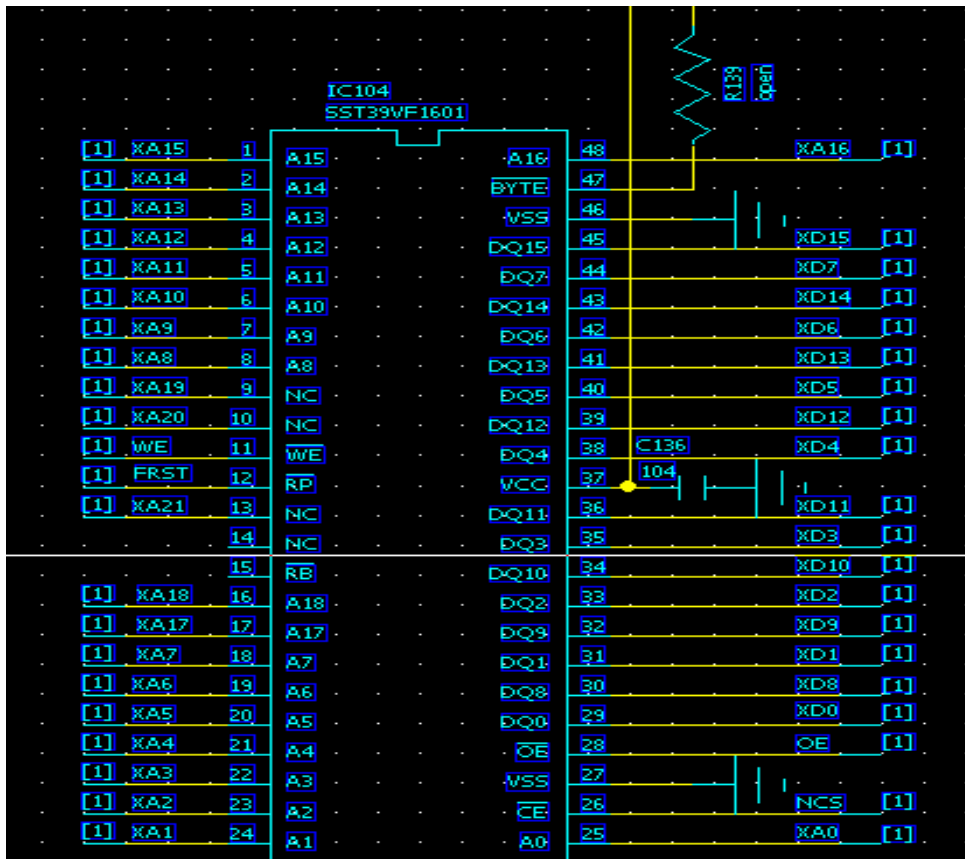
SDRAM circuit (fig2) used for store un-processed digital signal.

Fig2



NOR-FLASH circuit (fig3) used for store the system software and last memory data.

Fig3



Audio Process (fig4) used for audio amplifier. (fig5) used for sub-woofer amplifier.

Fig4a

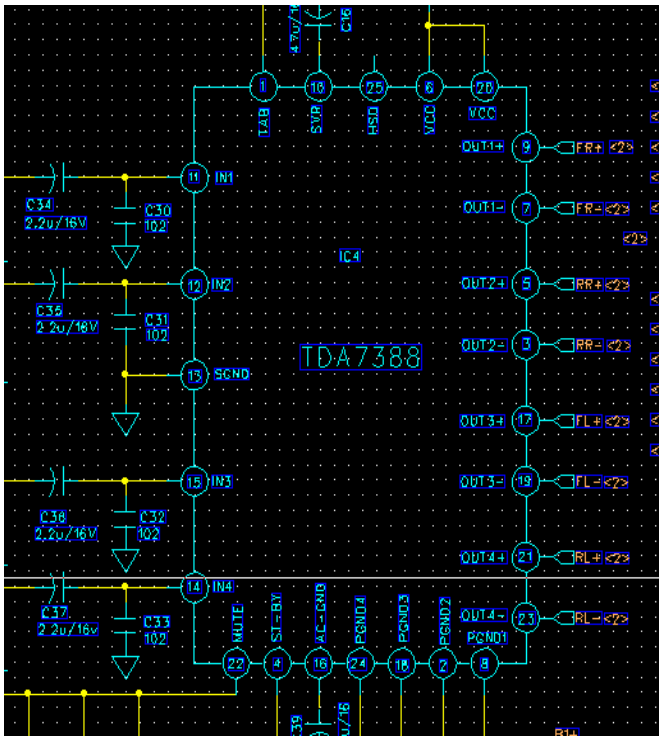


fig4b

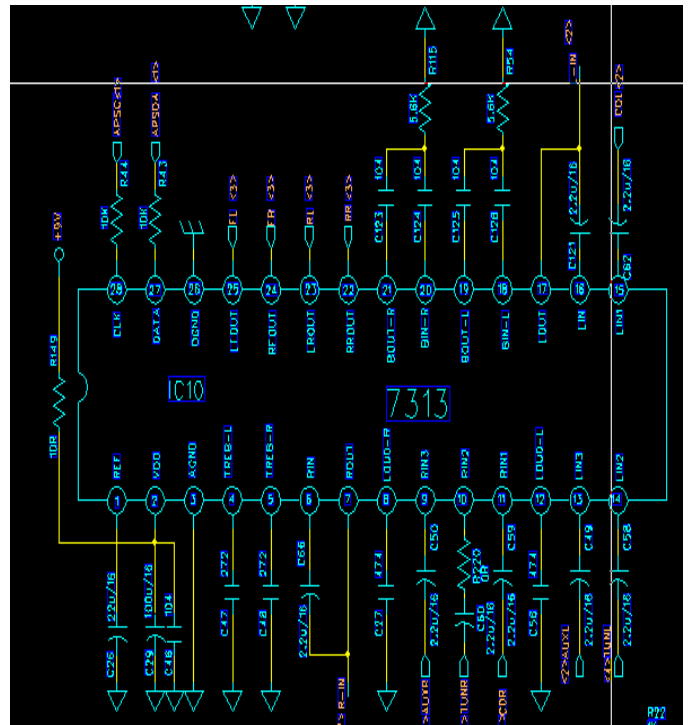


Fig4c

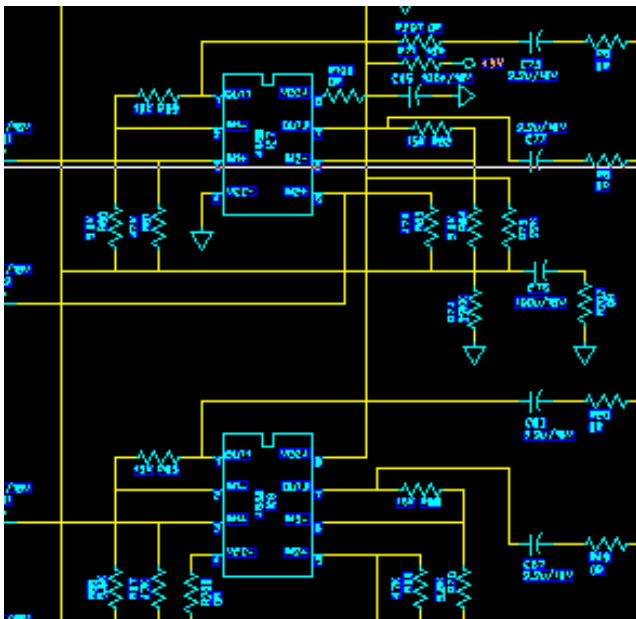
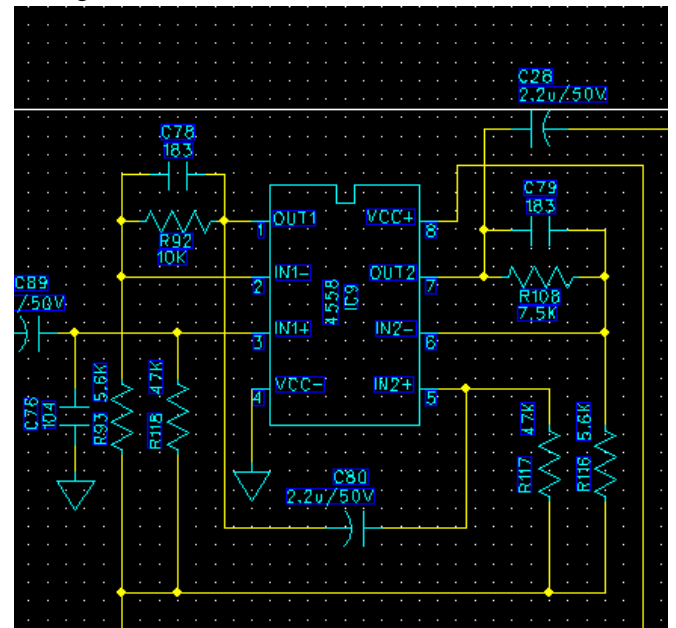


fig5



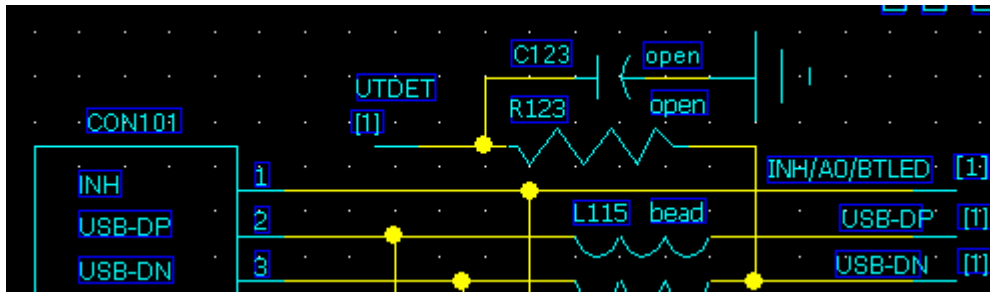






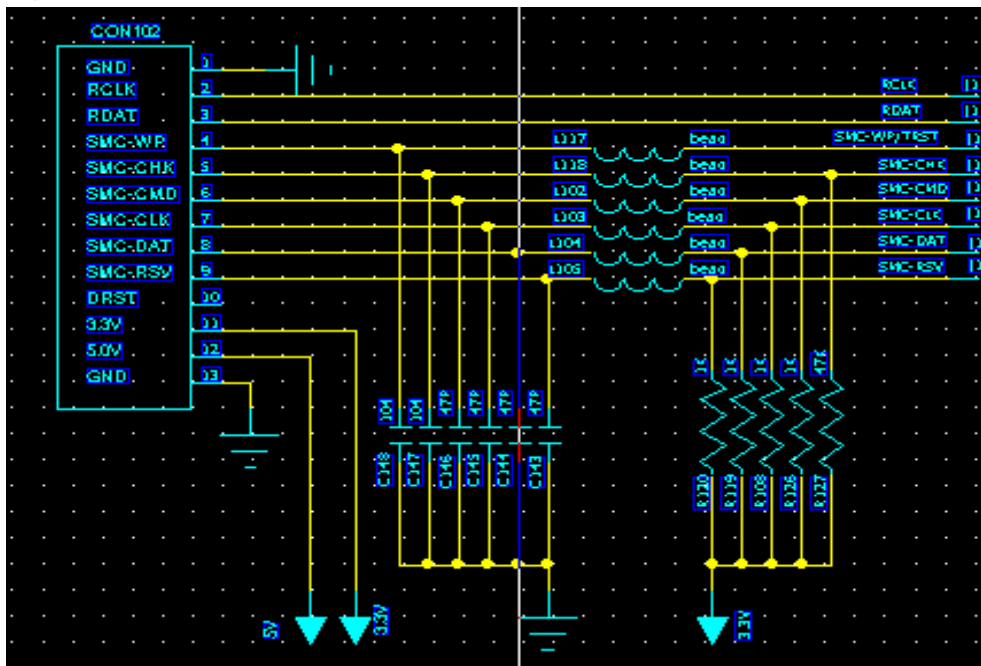
USB connect (fig14) used for playing data from USB.

fig14



SD connect (fig15) used for playing data from SD CARD.

Fig15



Reset circuit (fig16) used for reset when power on.

Fig16

