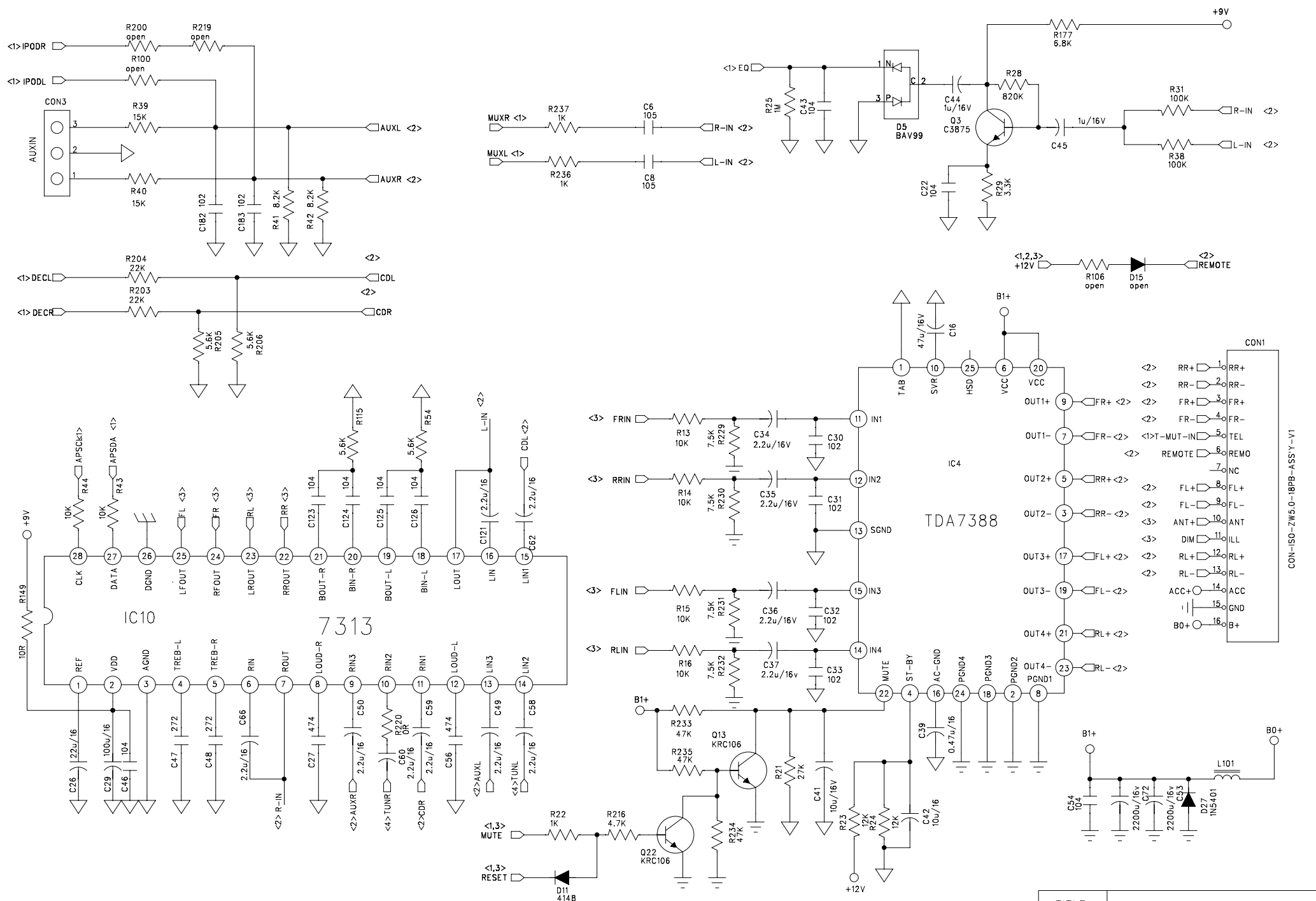
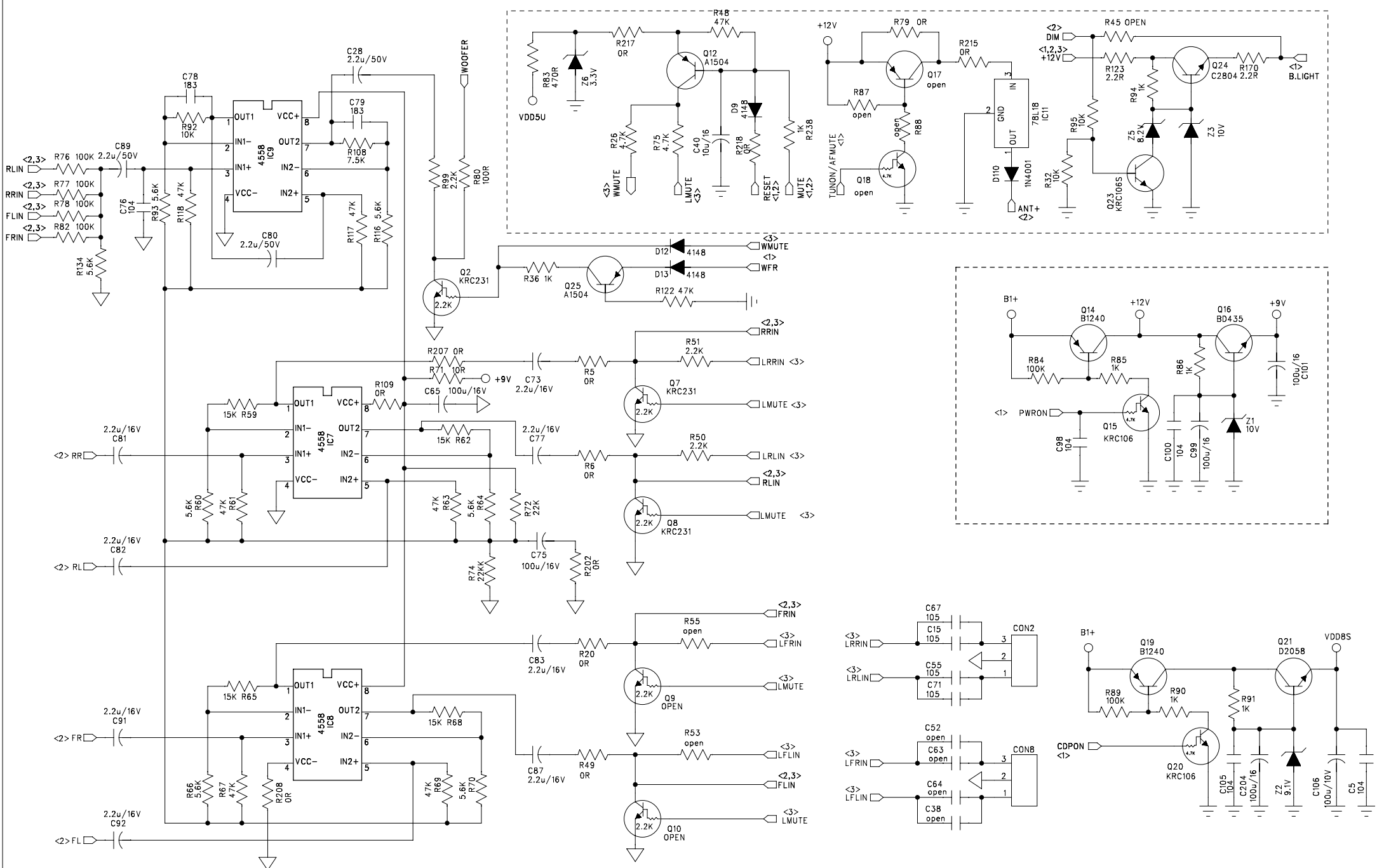


TITLE	KSC105B MB SCHEMATIC		
DATE:	DRAWN	APPROVED	PAGE
2007/09/18	longxiaoyang		1 / 4

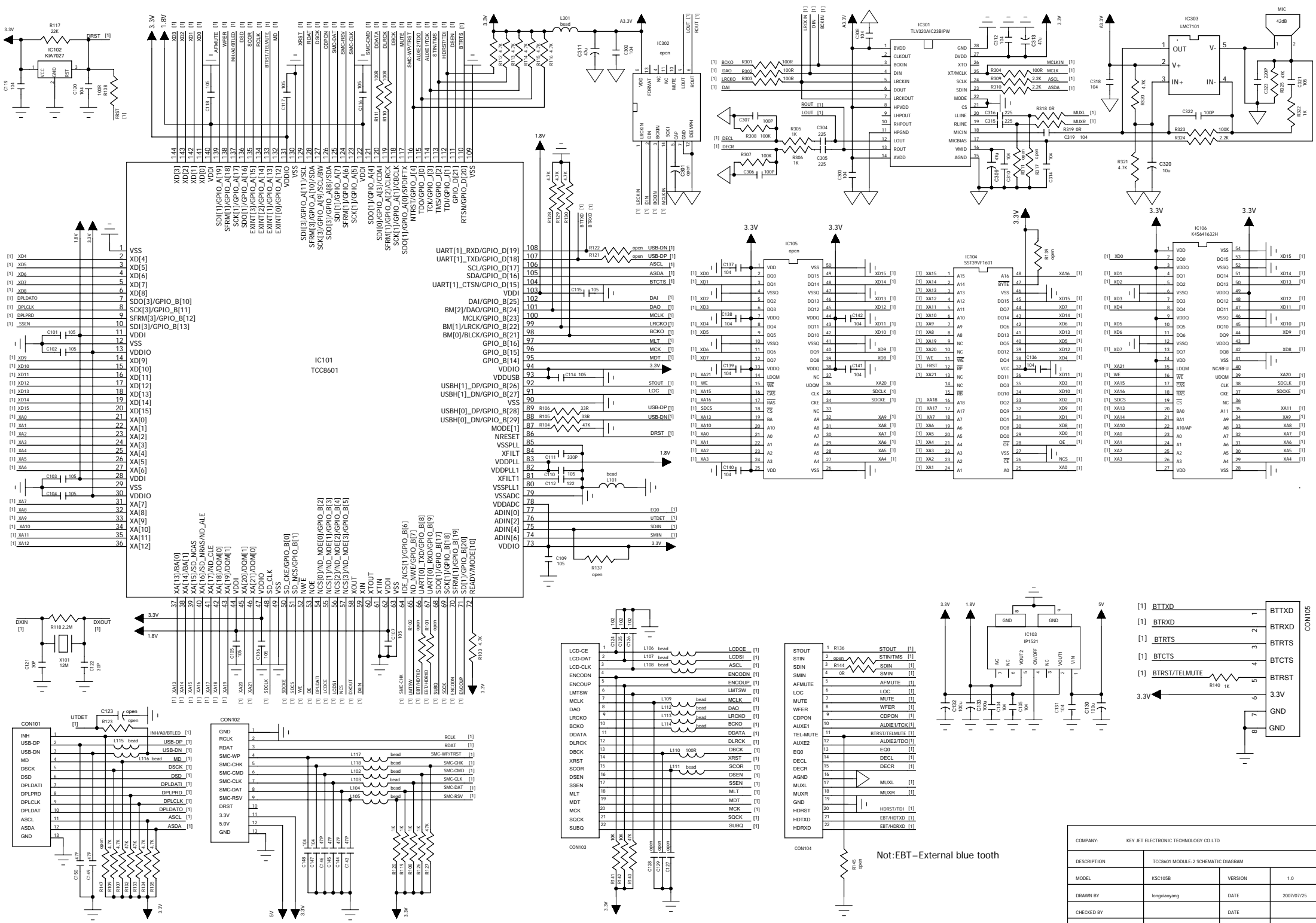
KEY JET ELECTRONIC TECHNOLOGY CO.,LTD.



TITLE	KSC105B MB SCHEMATIC		
DATE:	DRAWN	APPROVED	PAGE
2007/09/18	longxiaoyang		2 / 4
KEY JET ELECTRONIC TECHNOLOGY CO.,LTD.			

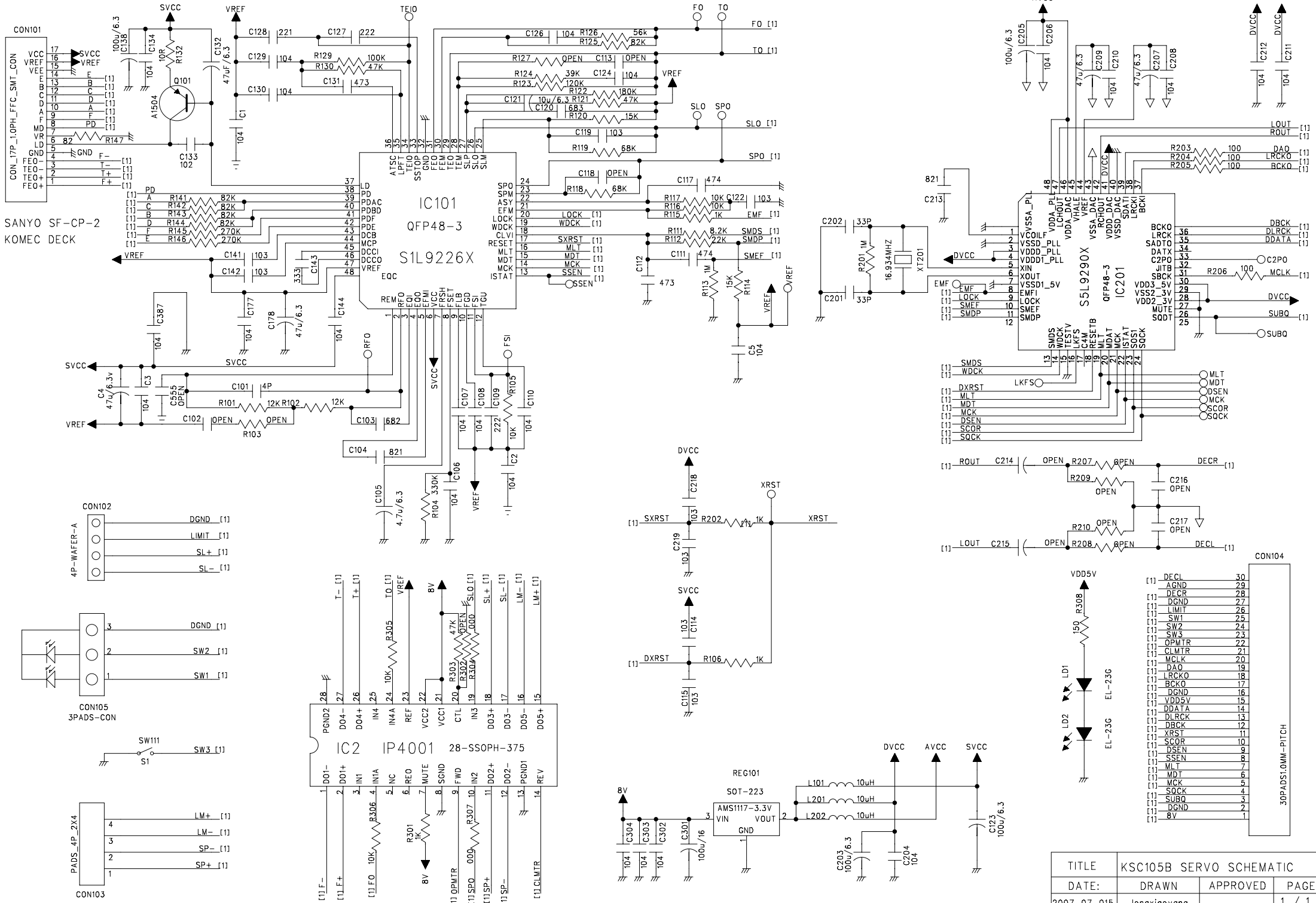


TITLE	KSC105B MB SCHEMATIC		
DATE:	DRAWN	APPROVED	PAGE
2007/09/18	longxiaoyang		3 / 4
KEY JET ELECTRONIC TECHNOLOGY CO.,LTD.			



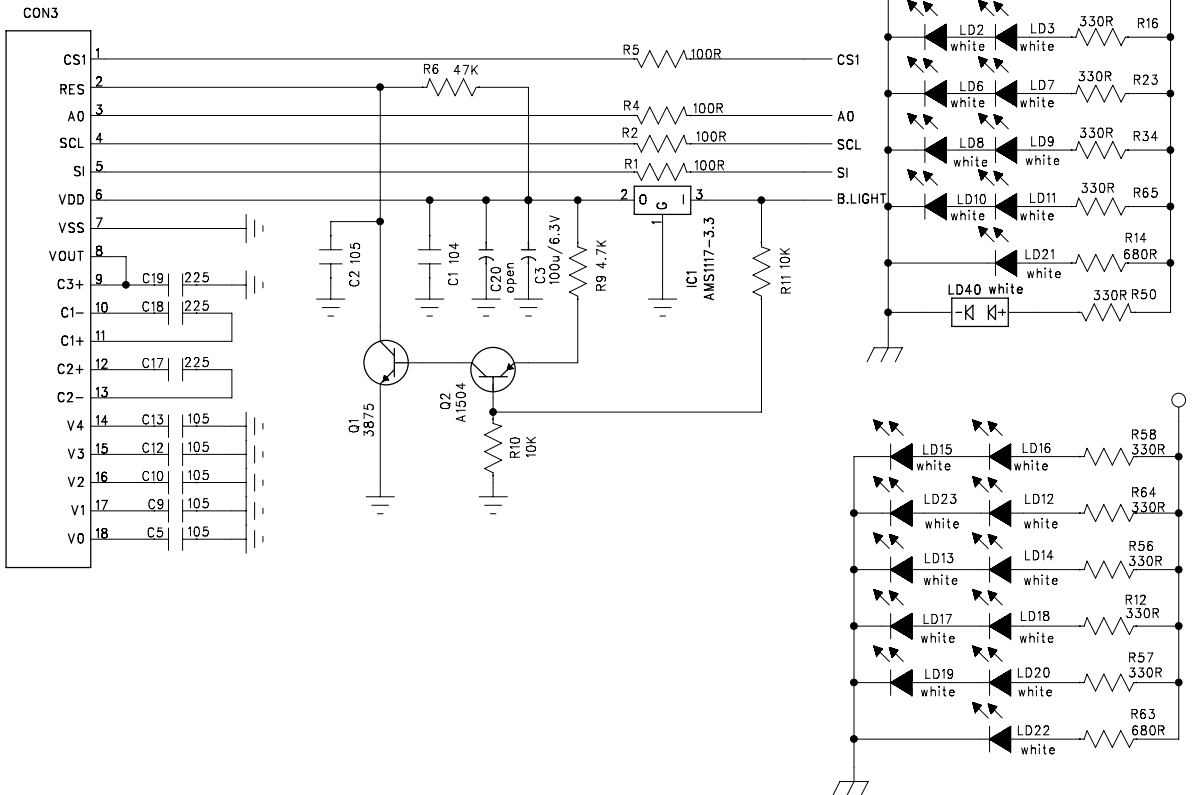
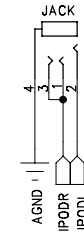
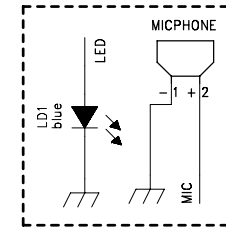
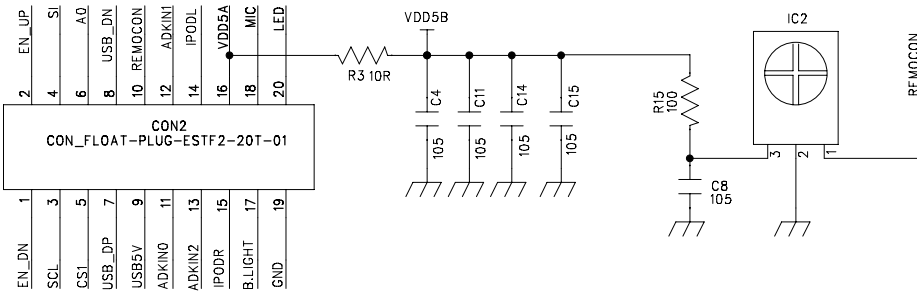
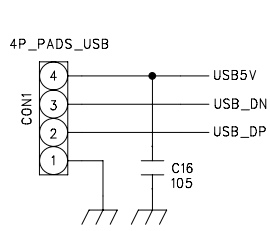
Not:EBT=External blue tooth

COMPANY: KEY JET ELECTRONIC TECHNOLOGY CO.LTD			
DESCRIPTION	TCC8601 MODULE 2 SCHEMATIC DIAGRAM	VERSION	1.0
MODEL	KSC105B	DATE	2007/07/25
DRAWN BY	longxiayang	DATE	
CHECKED BY		DATE	
APPROVED BY		DATE	



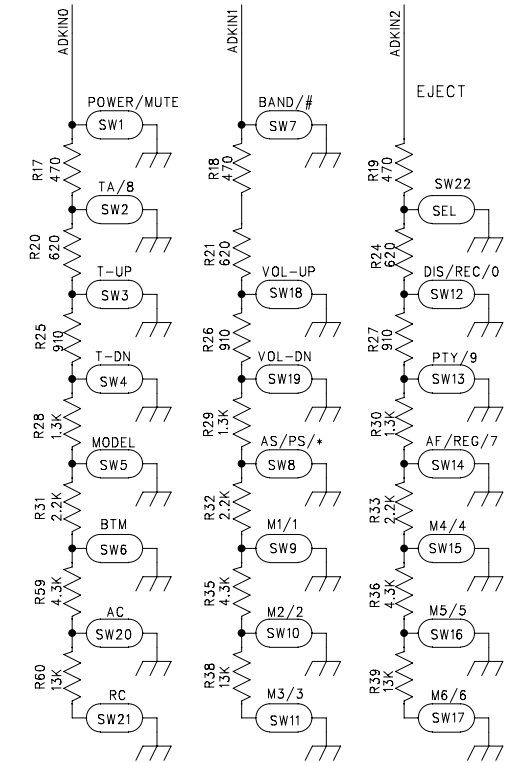
TITLE	KSC105B SERVO SCHEMATIC		
DATE:	DRAWN	APPROVED	PAGE
2007-07-015	longxiaoyang		1 / 1

KEY JET ELECTRONIC TECHNOLOGY CO.,LTD.

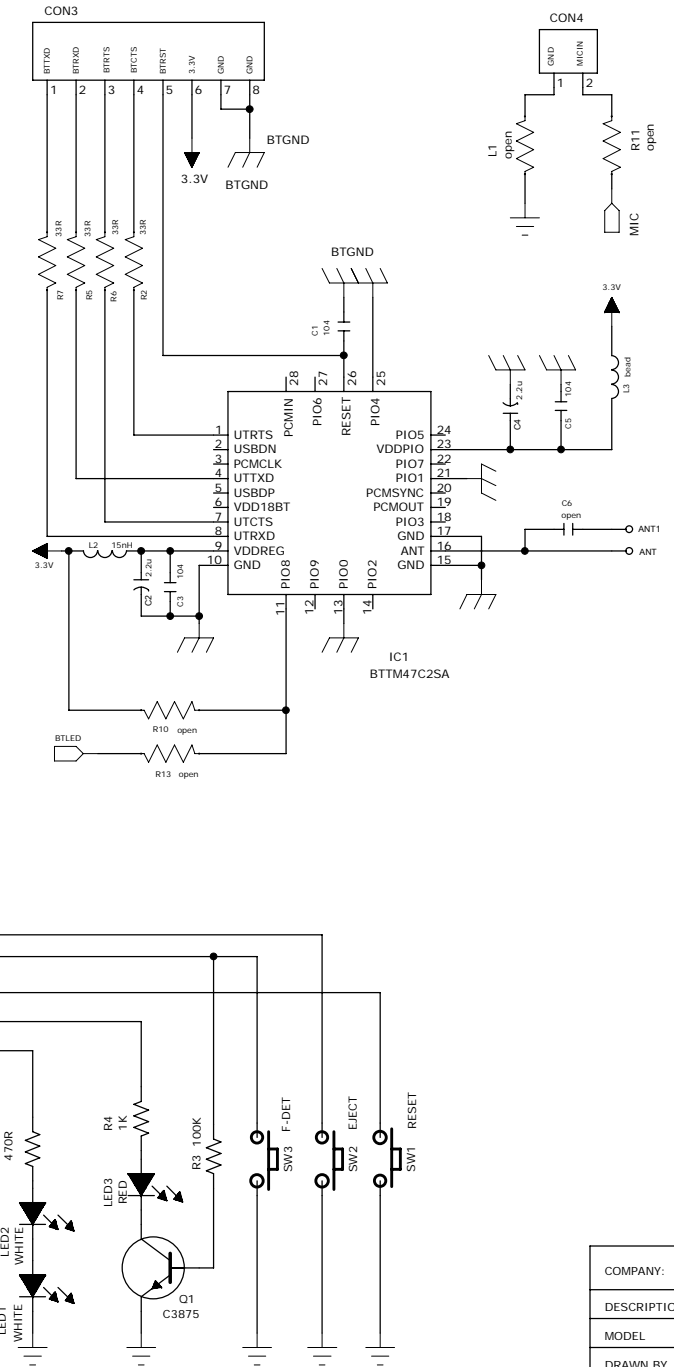
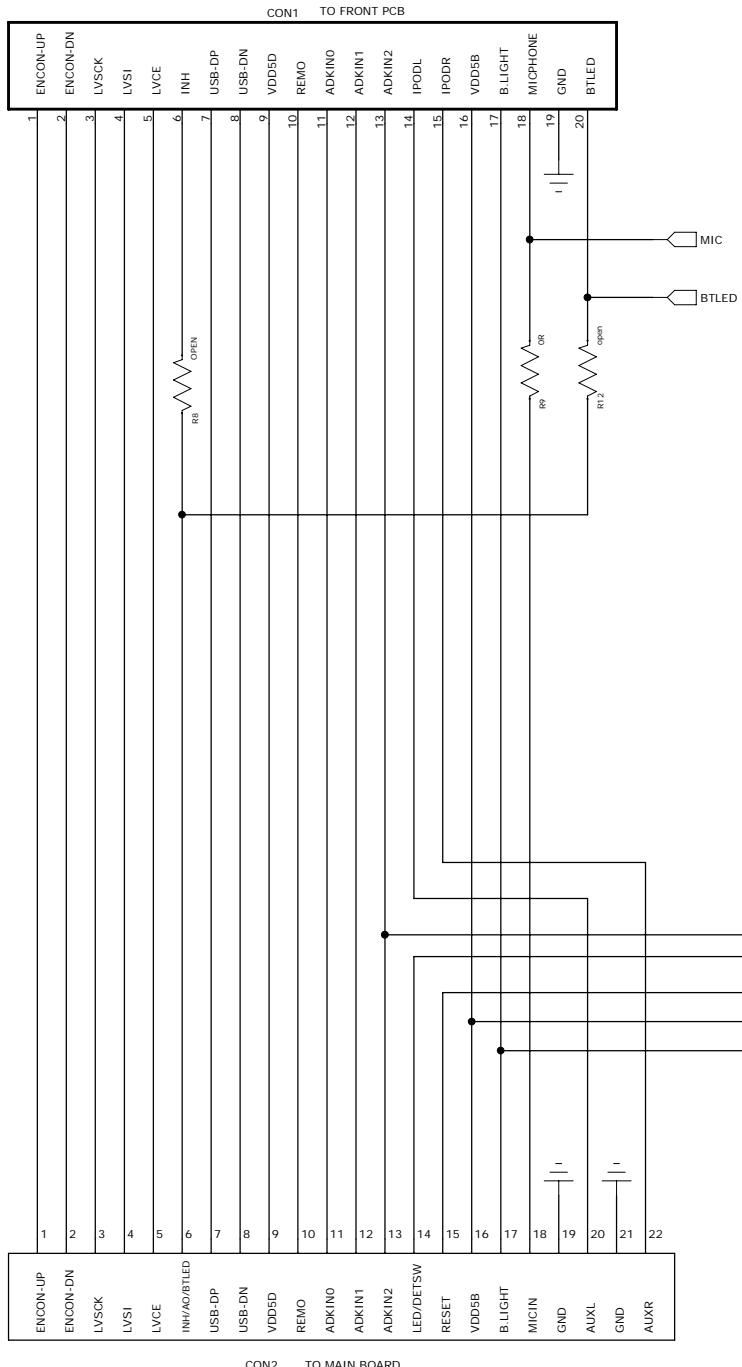


REMARK:
 BTM=Blue Tooth Menu
 AC=Accept Call
 RC=Rejeyt Call
 bluetooth model button explain:

Audio model	blue tooth model
M1/PAU	1
M2/RPT	2
M3/INT	3
M4/RDM	4
M5/-10	5
M6/+10	6
AF/REG	7
TA	8
PTY	9
AS/PS	*
DISPLAY	0
BAND	#



COMPANY	KEY JET ELECTRONIC TECHNOLOGY CO.,LTD.			
DRAWN BY	longxiaoyang	KSC105B KB-1 SCHEMATIC diagram		
CHECKED BY		CODE:	DRAWING NO:	REV:1.0
APPROVED BY		DATE	2007-09-23	SHEET: 1/1
	PAPER: A3	SCALE:		



COMPANY: KEY JET ELECTRONIC TECHNOLOGY CO.LTD			
DESCRIPTION	KSC105B CB SCHEMATIC		
MODEL	KSC105B	VERSION	V:1.1
DRAWN BY	longxiaoyang	DATE	2007/09/02
CHECKED BY		DATE	
APPROVED BY		DATE	

6

5

4

3

2

1

D

D

C

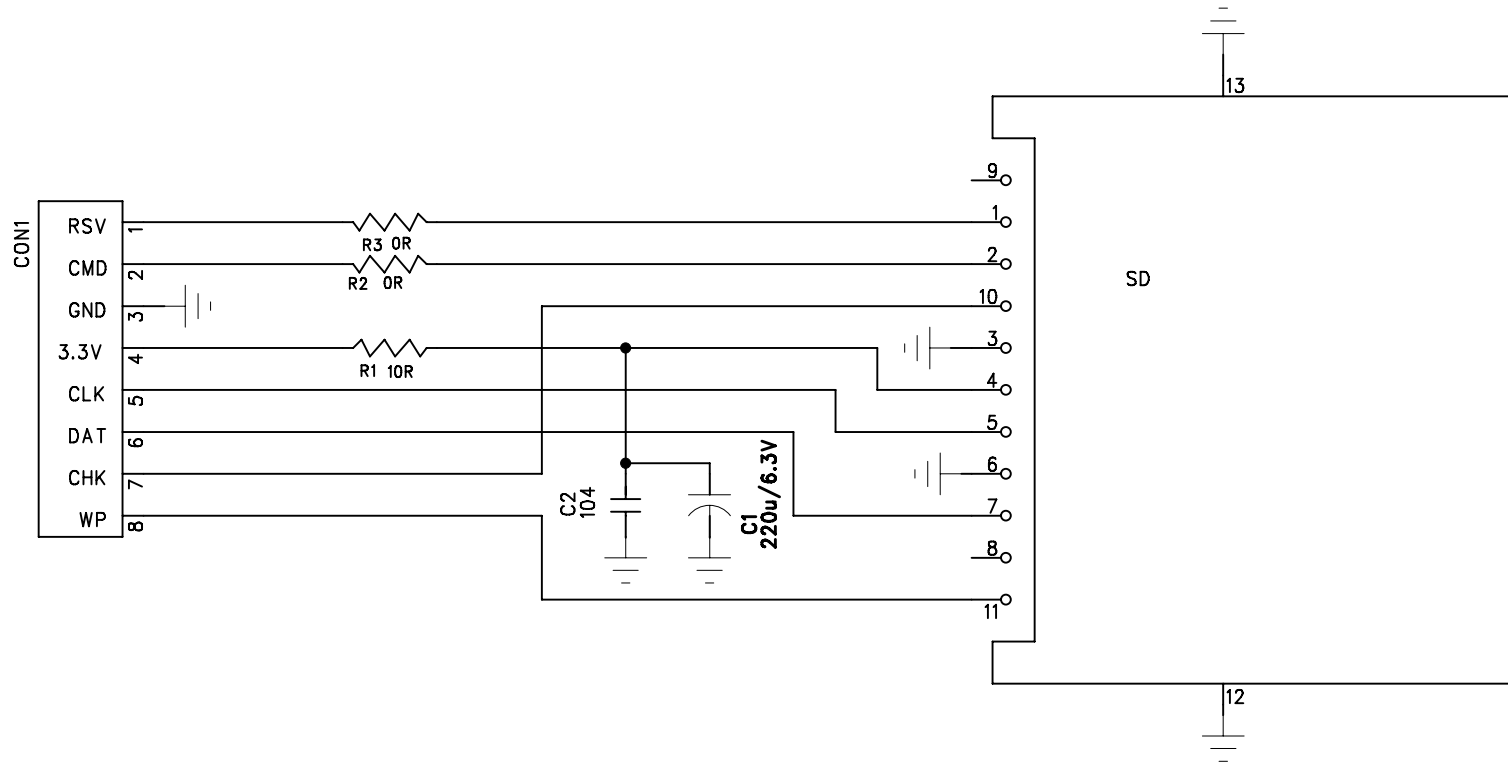
C

B

B

A

A



COMPANY: KEY JET ELECTRONIC TECHNOLOGY CO.LTD			
DESCRIPTION	KSC105B SDCARD SCHEMATIC		
MODEL	KSC105B	VERSION	A
DRAWN BY	longxiaoyang	DATE	2007/07/09
CHECKED BY		DATE	
APPROVED BY		DATE	