



Thermal Label Printer MANUAL

MX3xyy(x=0~9; y=0~9, a~z, A~Z or blank),MX30,MX30i

BP3xyy(x=0~9; y=0~9, a~z, A~Z or blank)

FCC ID: WD6MX30

FCC Statement:

Federal Communication Commission Interference Statement

This equipment has been tested and found to comply with the limits for a Class B digital device, pursuant to Part 15 of the FCC Rules. These limits are designed to provide reasonable protection against harmful interference in a residential installation.

This equipment generates, uses and can radiate radio frequency energy and, if not installed and used in accordance with the instructions, may cause harmful interference to radio communications. However, there is no guarantee that interference will not occur in a particular installation. If this equipment does cause harmful interference to radio or television reception, which can be determined by turning the equipment off and on, the user is encouraged to try to correct the interference by one of the following measures:

- Reorient or relocate the receiving antenna.
- Increase the separation between the equipment and receiver.
- Connect the equipment into an outlet on a circuit different from that to which the receiver is connected.
- Consult the dealer or an experienced radio/TV technician for help.

FCC Caution: Any changes or modifications not expressly approved by the party responsible for compliance could void the user's authority to operate this equipment.

This device complies with Part 15 of the FCC Rules. Operation is subject to the following two conditions: (1) This device may not cause harmful interference, and (2) this device must accept any interference received, including interference that may cause undesired operation.



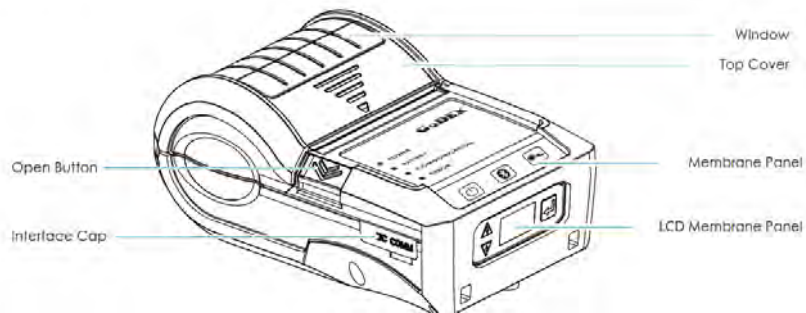
Thermal Label Printer MANUAL

MX3xyy(x=0~9; y=0~9, a~z, A~Z or blank),MX30,MX30i

BP3xyy(x=0~9; y=0~9, a~z, A~Z or blank)

1. Printer Overview

- Front View (Take MX30i as an example)



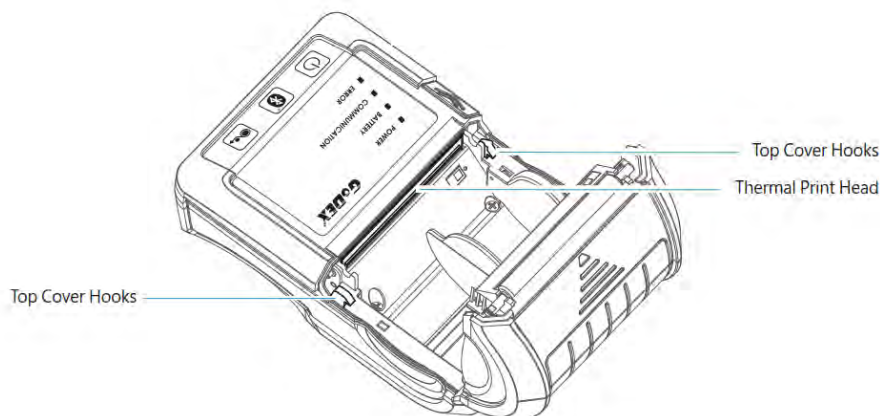
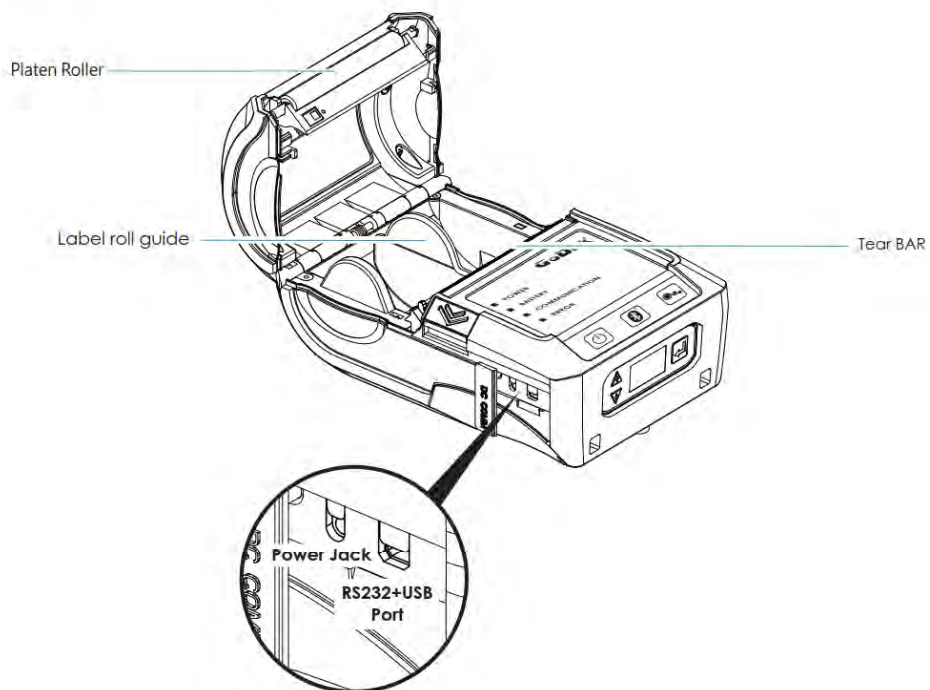


Thermal Label Printer MANUAL

MX3xyy(x=0~9; y=0~9, a~z, A~Z or blank), MX30, MX30i

BP3xyy(x=0~9; y=0~9, a~z, A~Z or blank)

The Internal View of the Printer (Take MX30i as an example)





Thermal Label Printer MANUAL

MX3xyy(x=0~9; y=0~9, a~z, A~Z or blank), MX30, MX30i

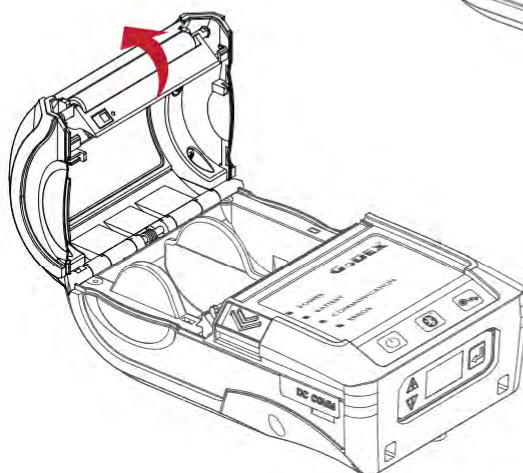
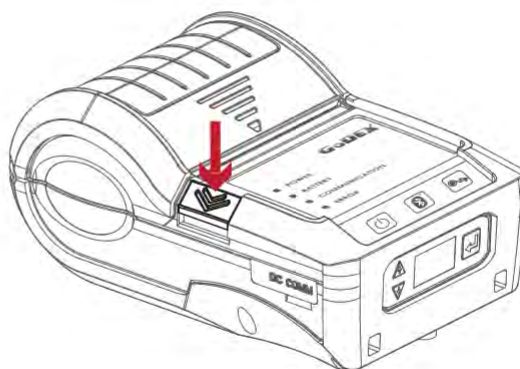
BP3xyy(x=0~9; y=0~9, a~z, A~Z or blank)

2 Printer Setup

2.2 Paper Installation

The printer is set to Direct thermal transfer so no ribbon is required.

Place the printer on a flat surface and press the button.



Top cover opened.



Label roll guide can be adjusted according to label roll width.

Note

* Please do not use any adhesive labels in order to avoid printer damage.



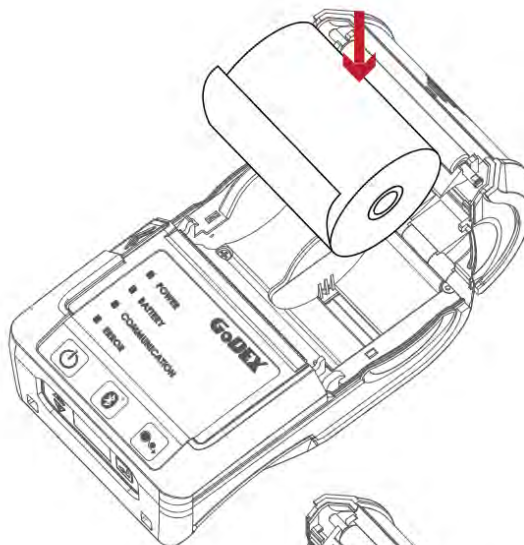
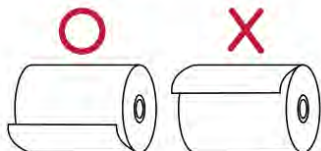
Thermal Label Printer MANUAL

MX3xyy(x=0~9; y=0~9, a~z, A~Z or blank), MX30, MX30i

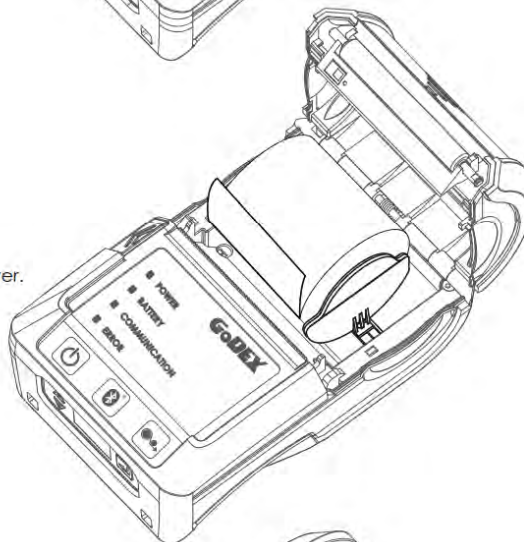
BP3xyy(x=0~9; y=0~9, a~z, A~Z or blank)

2 Printer Setup

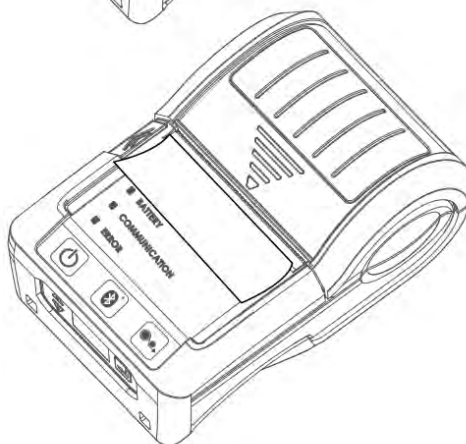
Insert the paper as shown in the image.



Pull the paper out and close the paper cover.



Tear off any excess paper in the direction of the side of the printer.



Thermal Label Printer MANUAL

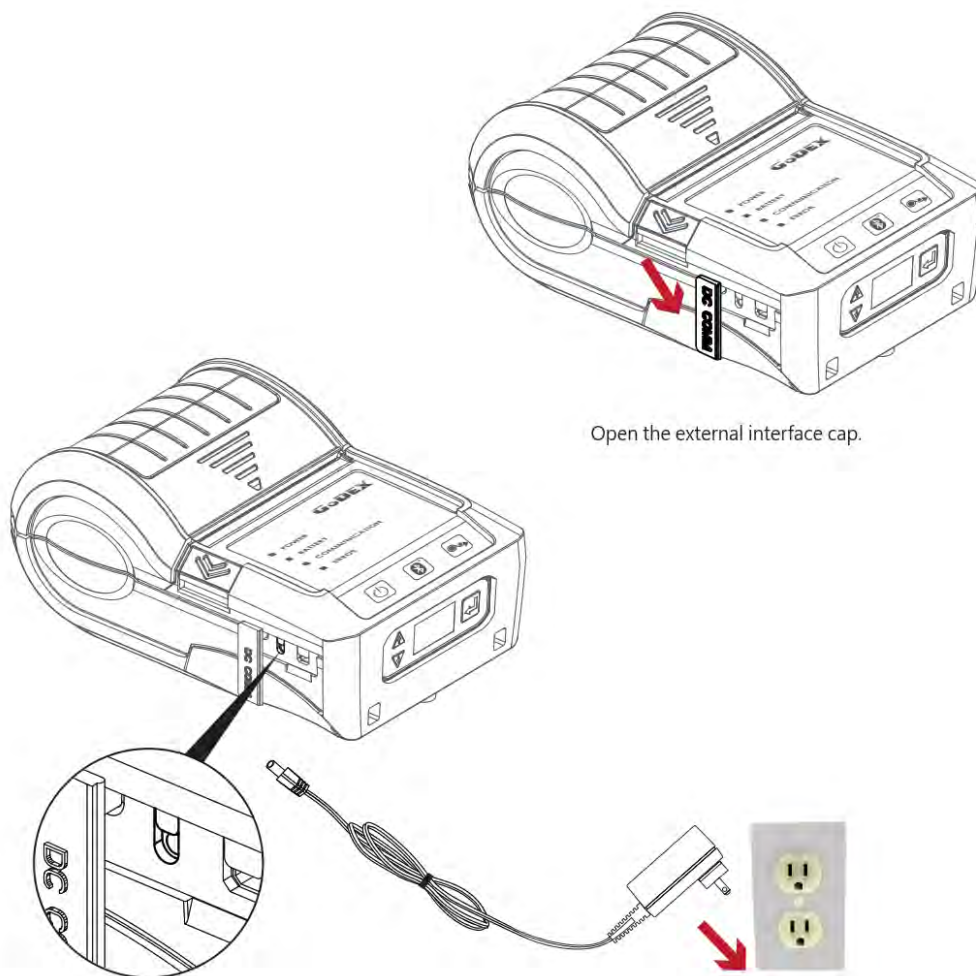
MX3xyy(x=0~9; y=0~9, a~z, A~Z or blank),MX30,MX30i

BP3xyy(x=0~9; y=0~9, a~z, A~Z or blank)

2 Printer Setup

2.3 Battery Charging

1. Please make sure that the printer is switched off.
2. Connect the mini USB adaptor to the printer and wall.
3. Turn on the printer. The operator panel should now light up.



Note

* Charge the battery around 3 hours before use please.

** Closed the external interface cap when printer do not connect an adapter or cable for avoid dust away.



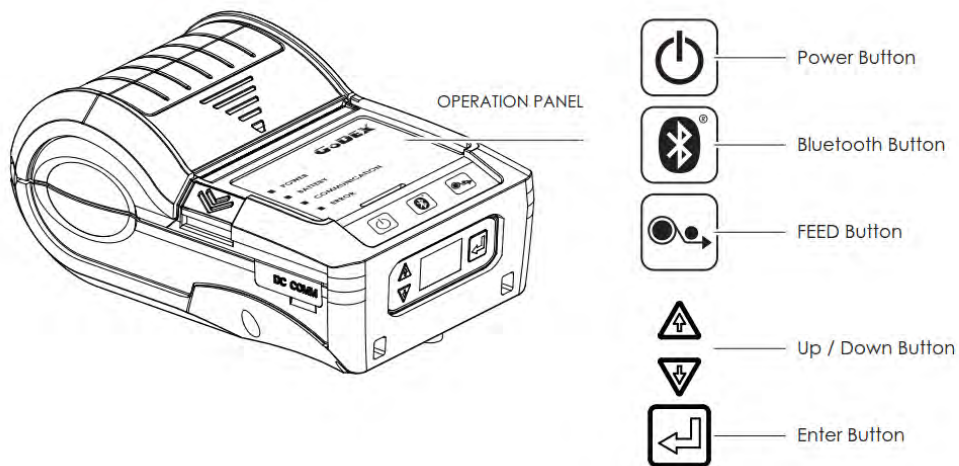
Thermal Label Printer MANUAL

MX3xyy(x=0~9; y=0~9, a~z, A~Z or blank),MX30,MX30i

BP3xyy(x=0~9; y=0~9, a~z, A~Z or blank)

3 Setting and Control for Operation Panel

3.1 Operation Panel



POWER Button

Press the POWER button to turn on the printer, and the START UP SCREEN appears. The printer is on "ready to print" status, the LCD screen should display the message "READY" on the screen.

When printer is turned on, hold and press down the POWER button for 3 second will turn the printer off.

FEED Button

Turn on the printer and press the FEED button.

When you press the FEED button, the printer will advance media until the FEED button is released.

If you are using continuous labels, pressing the FEED button will advance a length of media until the button is released.

If you are using media with gaps, pressing the FEED button once will advance only one label.

If the label does not stop at the correct position, you need to run the auto-detection function for your media,

please see Section 3.4 Label Calibration and Self-Test.

PAUSE PRINTING_FEED Button

Pressing the FEED button while the printer is in standby mode will set the printer to pause mode. In this mode, the printer can receive commands, but it will only process them when it is reset to standby mode. Pressing the FEED button again will reset the printer to standby mode.

Pressing the FEED button during printing will interrupt printing. When the FEED button is pressed again, the printer resumes printing. Example: While a 10-label print job is running, you press the FEED button to pause the printer. Two of the labels have been printed. To resume printing and print the remaining eight labels, you will need to press the FEED button again.

CANCEL PRINTING_FEED Button

Press and hold the FEED button for 3 seconds during printing cancels a print job. The current print job is cancelled.

Example: While a 10-label print job is running, you press the FEED button. Two of the labels have been printed.

The print job is cancelled and the remaining eight labels will not be printed.












Thermal Label Printer MANUAL

MX3xyy(x=0~9; y=0~9, a~z, A~Z or blank),MX30,MX30i

BP3xyy(x=0~9; y=0~9, a~z, A~Z or blank)

4 dual-color LED - Power On, Battery Capacity, Status Information (Wireless) , Status Information (Media):

 POWER  BATTERY  COMMUNICATION  ERROR

Category	LED State	Description
POWER	OFF	Turn off
		Turn on
BATTERY	OFF	Without battery Power off Sleep mode
		Battery power supply as normal Recharge finished
		Printer in standby state
		Battery is recharging
		Battery must be charged or replaced
COMMUNICATION	OFF	No connection No data transmission
		Bluetooth ON
		Transferring data
ERROR	Automatic recovery after troubleshooting. Or push FEED button to clean up error status.	
	OFF	No
		Paper out Door open
		Command receiving error Printhead overheating Label sensing error



Thermal Label Printer MANUAL

MX3xyy(x=0~9; y=0~9, a~z, A~Z or blank),MX30,MX30i



BP3xyy(x=0~9; y=0~9, a~z, A~Z or blank)

3.2 LCD Interface Introduction


Getting Started

Press the POWER button to turn on the printer, and the START UP SCREEN appears.

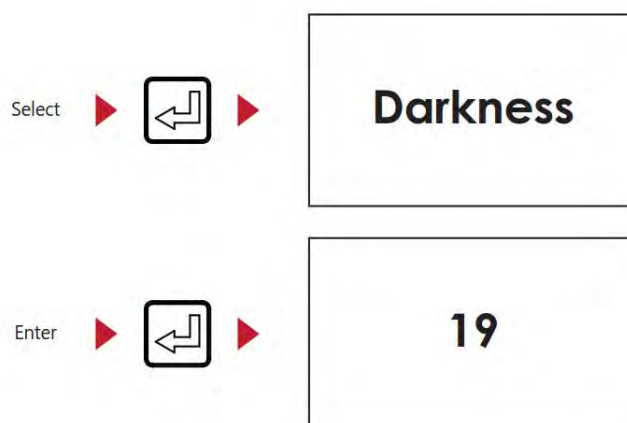




Pressing  button or  button then the LCD interface will enter into the MAIN PAGE for SETTING MODE. You can make various setting functions in SETTING MODE.

Operations on Setting Page

On GoDEX page, press Enter Button, then press  select the functions.

Select a designated function and then press Enter Button, you will enter the SETTING PAGES for the function.



On SETTING PAGES, press  to select the setting items,you will enter the SETTING VALUE PAGES for the function.
Press  back to setting page.



Thermal Label Printer MANUAL

MX3xyy(x=0~9; y=0~9, a~z, A~Z or blank),MX30,MX30i

BP3xyy(x=0~9; y=0~9, a~z, A~Z or blank)

3.3 Setting Items in Setting Mode

	Darkness	0-19	
	ADJUST STOP POSITION	0-10	
	SENSOR SETUP	Media Type	Label with Gaps Label with Marks Continuous
	LCD Language	English Deutsch 繁體中文 簡體中文 Français Español 日本語 Italiano Русский Türkçe	
GoDEX Logo	CODE PAGE	850 852 Windows 1255	
	BUZZER	On Off	
	TOP OF FORM	On Off	
	COM PORT	Baud Rate	4800 bps 9600 bps 19200 bps 38400 bps 57600 bps 115200 bps
		Parity	Non Odd Even
		Data Bits	7 bits 8 bits
		Stop Bits	1 bits 2 bits



Thermal Label Printer MANUAL

MX3xyy(x=0~9; y=0~9, a~z, A~Z or blank),MX30,MX30i
BP3xyy(x=0~9; y=0~9, a~z, A~Z or blank)

3.4 Label Calibration and Self Test

Label Calibration

The printer can automatically detect and store label height.
That means the host computer does not need to transmit the label height to the printer.

Self Test

Self-test function lets you check whether the printer is functioning normally.
Here is how you run the label size calibration and self test.

1. Check that the label stock is loaded correctly.
 2. Turn off the printer.
 3. Turn the printer on again, while pressing the FEED button. When the LED starts to flash red, release the FEED button. The printer will now measure the label stock and store the label height.
 4. Once the printer has successfully calibrated the label stock, it will print a self-test label.
- The contents of a self-test printout are listed below.

Model & Version	MX30i:GX.XXX
USB ID setting	USB S/N:12345678
Serial port setting	Serial port:96,N,8,1 #####
Number of forms	0000 FORM(S) IN MEMORY
Number of graphics	0000 GRAPHIC(S) IN MEMORY
Number of fonts	000 FONT(S) IN MEMORY
Number of Asian fonts	000 ASIAN FONT(S) IN MEMORY
Number of Databases	000 DATABASE(S) IN MEMORY
Number of Scalable fonts	000 TTF(S) IN MEMORY
Free memory size	4073 KB FREE MEMORY
Speed, Density, Ref. Point, Print direction	^S2 ^H19 ^R000 ~R200 ~Q+0
Label width, Form length, Stop position	^W72 ^Q2222,0,0 ^E10
Cutter, Label Dispenser, Mode	Option:^D0 ^O0 ^AD
Sensor Setting	Ref:2.4.2.6.25[0.2_27]
Code Page	Code Page:850



Thermal Label Printer MANUAL

MX3xyy(x=0~9; y=0~9, a~z, A~Z or blank),MX30,MX30i

BP3xyy(x=0~9; y=0~9, a~z, A~Z or blank)

3.5 Dump mode

If the label settings do not match the printer output, you can switch the printer to dump mode to check whether an error has occurred during the transfer between printer and host computer. In dump mode, the unprocessed raw data are sent to the printer and printed. This function allows you to quickly check if all data is sent to the printer correctly.

Here is how you switch to dump mode:

1. Switch off the printer.
2. Switch on the printer while pressing down the FEED button.
3. You will hear 3 beeps first and then one beep later. Release the FEED button after the last beep.
The printer will automatically print "DUMP MODE BEGIN". That means the printer is now in dump mode.
4. Send commands to the printer and check whether they match the printer output.

To exit dump mode, press the FEED button. The printer will automatically print "OUT OF DUMP MODE" and switch to standby mode. Alternatively, you can switch off the printer to exit dump mode.

3.6 Active/ Standby/ Shut Down/ Charge Mode

Sleep Mode = LED active. Power saving model.

Active Mode :

All functions active. Active mode when receiving a print job. Go to Sleep mode if no operation over 30~3600 seconds in Active mode.

Sleep Mode :

Only FEED button functions active. Go to Shutdown mode if no operation and over 0 sec to forever in Sleep mode.

Shutdown Mode :



All function off except Power button and battery charge. Wake up to Sleep mode by pressing the Power button.

Charge Mode :

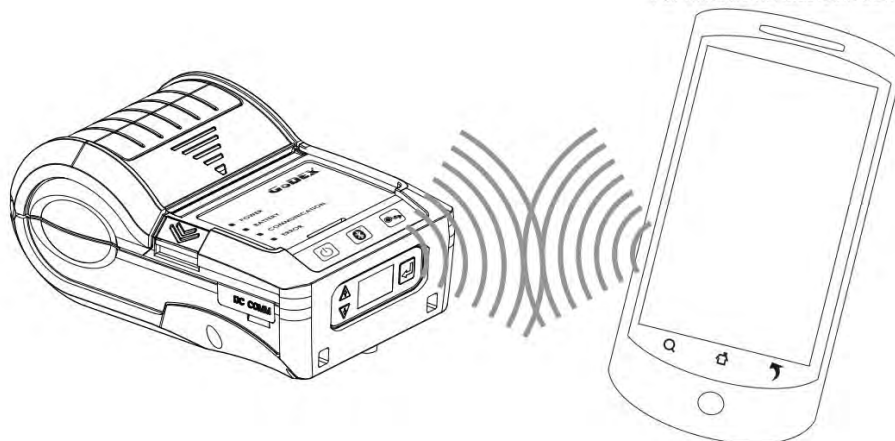
Only charge function active when the battery is charging. When battery is fully charged, the battery LED will turn green.

3.7 Bluetooth Connection

The printer can be connected to devices equipped with Bluetooth communication capability.

1. Press power button to turn on the printer. 
2. Press Bluetooth button so that the printer can be searched. 

Pair with another Bluetooth device.





Thermal Label Printer MANUAL

MX3xyy(x=0~9; y=0~9, a~z, A~Z or blank),MX30,MX30i

BP3xyy(x=0~9; y=0~9, a~z, A~Z or blank)

PRODUCT SPECIFICATIONS

Model		MX30i
Print Method		Direct Thermal
Resolution		203 dpi (8 dots/mm)
Print Speed		up to 4 IPS (101.6 mm/s)
Print Width		2.8" (72 mm)
Print Length		30" (~762 mm)
Processor		32 bit RISC CPU
Memory	Flash	128 MB Flash (40 MB for user storage)
	SDRAM	32 MB SDRAM
Sensor Type		Paper end sensor, Gap sensor
Media	Type	Direct Thermal receipt, anti-UV receipt, gap label, left side alignment inter-label gap size from 2 mm to 4 mm, 3 mm preferred
	Width	Max. 3.15" (80 mm), Min. 1.5" (38.1 mm)
	Media roll diameter	Max. 2.35" (60 mm) on 0.5" (12.5 mm) core
	Thickness	Min 0.0508 mm, Max 0.165 mm
Printer Language		GPOS Emulations or EZPL / GZPL / GEPL Emulations
Software	Label design software	GoLabel (for EZPL only)
	Driver	Win CE, .NET, Pocket PC, Windows Mobile, MAC OS, Windows 2000 / XP / VISTA / Windows7 / 8
	SDK	Win CE, .NET, Pocket PC, Windows Mobile, MAC OS, Windows 2000 / XP / VISTA / Windows7 / 8
Resident Fonts	Bitmap fonts	6, 8, 10, 12, 14, 18, 24, 30, 16x26 and OCR A & B, 0°, 90°, 180°, 270° rotatable
	TTF fonts	CG Triumvirate™ (Bold / Italic / Underline), 0°, 90°, 180°, 270° rotatable
Download Fonts	TTF fonts	0°, 90°, 180°, 270° rotatable
	Asia fonts	16x16, 24 x 24, Traditional Chinese (BIG-5), Simplified Chinese(GB), Japanese (JIS), Korean (KS)
Barcodes	1-D Bar codes	Code 39, Code 93, EAN 8 / 13 (add on 2 & 5), UPC A / E (add on 2 & 5), I 2 of 5 & I 2 of 5 with Shipping Bearer Bair, Codabar, Code 128 (subset A, B, C), EAN 128, RPS 128, UCC 128, UCC / EAN-128 K-Mart, Random Weight, Post NET, ITF 14, China Postal Code, HIBC, MSI, Plessey, Telepen, FIM and GS1 DataBar
	2-D Bar codes	PDF417, Datamatrix code, MaxiCode, QR code, Micro PDF417, Micro QR code and Aztec code
Code Pages		CODEPAGE 437, 850, 851, 852, 855, 857, 860, 861, 862, 863, 865, 866, 869, 737 WINDOWS 1250, 1251, 1252, 1253, 1254, 1255, 1257 Unicode UTF8, UTF16
Graphics		Resident graphic file types are BMP and PCX, other graphic formats are downloadable from GoLabel
Interfaces		RS232+USB 2.0 port, mini-B type connector Bluetooth 2.1+EDR
Control Panel		4 dual color LEDs for Power, Battery, Communication, Error status indication, 3 buttons for Power, Feed and BT functions
LCD Display		Graphic OLED 128 x 64 dots with 3 buttons for Up, Down and Enter functions
RTC		Standard
Power Adapter		Switching power supply I/P: 100 / 240 V AC, 50 / 60 Hz, DC 9 V / 2.0 A
Battery		Rechargeable DC 7.4 V Li-ion battery, 2500 mAh or higher capacitance
Environment	Operation temperature	32°F to 122°F (0°C to 50°C)
	Storage temperature	-4°F to 140°F (-20°C to 60°C)
Humidity	Operation	10-90%, non-condensing
	Storage	10-90%, non-condensing
IP Rating		Intrusion Protection, IP42 requirement for case design, IP54 for protective case
Drop Level		1.5 meter height
Agency Approvals		CE EMC class B, CE EMR (EN55022) class B, FCC part 15B class B, FCC Part 15C class B, CCC, SRRCC, NCC, CB, cUL, Energy Star V2.0
Dimension	Length	6.71" (170.63 mm)
	Height	3.11" (79 mm)
	Width	4.48" (114.01 mm)
Weight		1.47 lbs (670 g), with battery