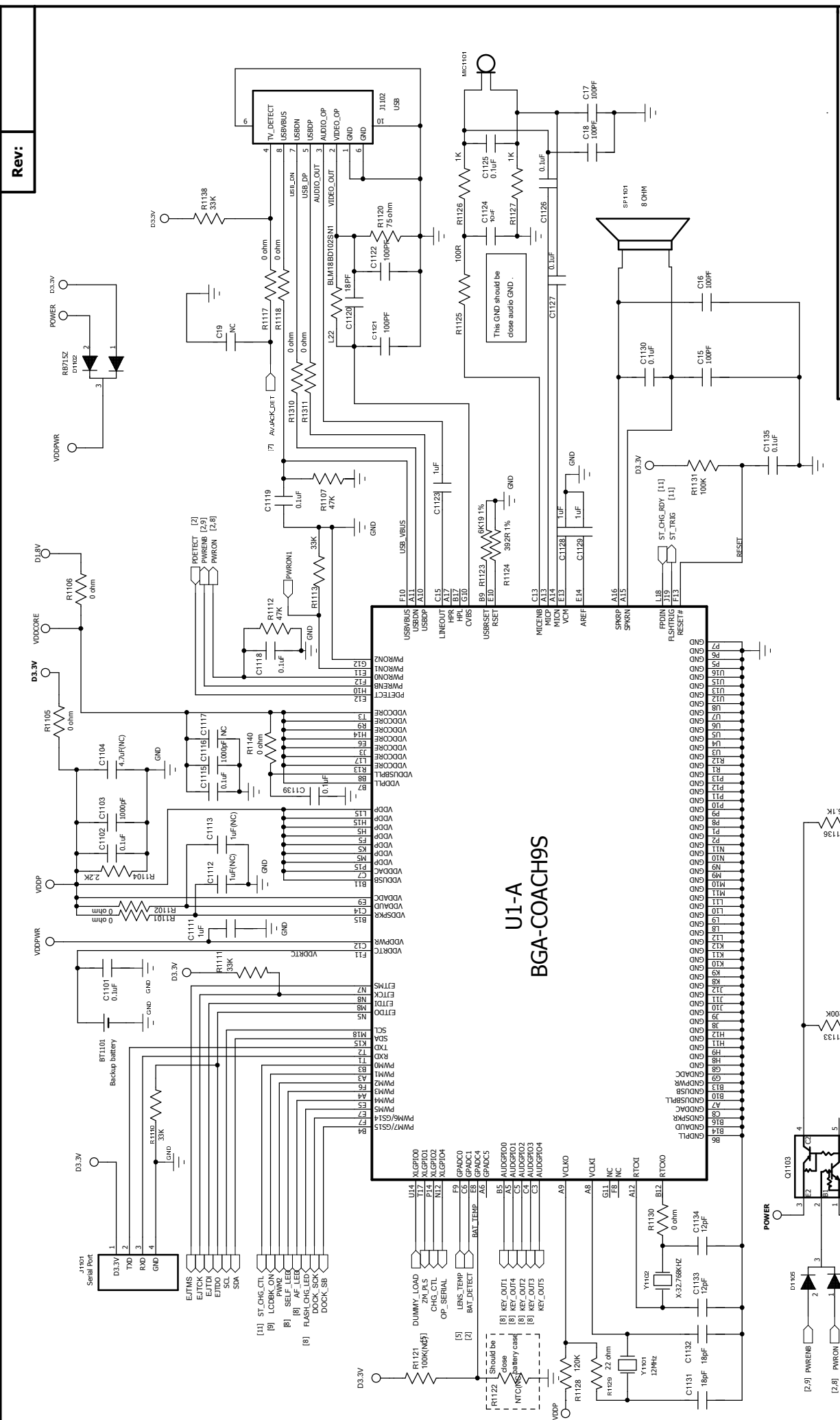


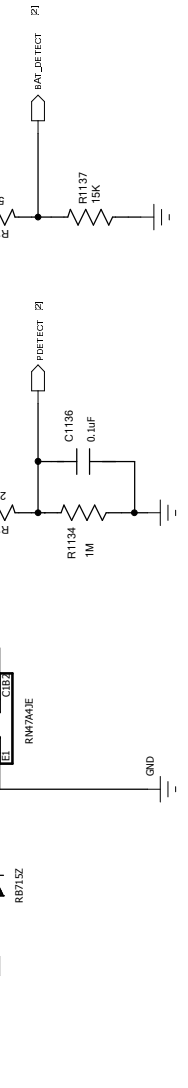
Release version:		Released by:		Release date:	
DATE	Schematic version	PCB version	Description	Reason	Revisor
20071226			<1> Delete dummy load circuit <2>C1342 change to 0.1uF <3> R1337 chang to FB Inductor GLFR1608T4R7M-LR <4> Delete R1211 . Q1201 ,R1213 <5>R1215,R1216,R1228,R1217,R1218, are changed to 100 OHM <7> Add C1,C2,C3,C4,C5,C6,C10,C8,C9,C11 for improve the EMI issue. <8> Remove X1301 R1318,R1315 and C1329 <9> Add C12 and C13 <10> Remove D1401 <11>C1121 ,C1122 are changed to 100PF <12>-Remove R1408		
20080110			<1> Delete L1 and add R1, R2 <2> Delete R1321,R1310,R1311		

Rev:



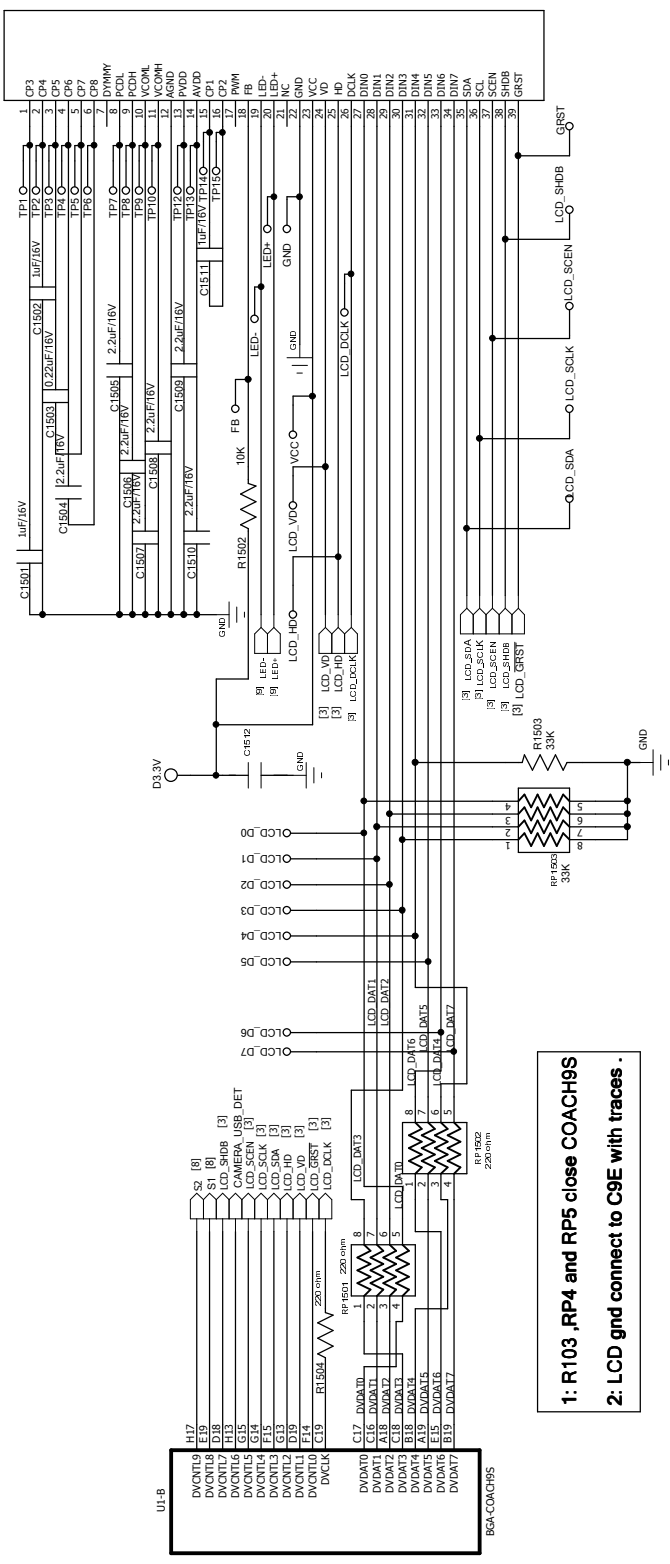
# FLEXTRONICS

<b>Description:</b>	COACH9E DSP	<b>Rev:</b>	1.0 Size: A3
<b>Mode Name:</b>	I1035	<b>File Name:</b>	Sheet 2 of 12
<b>Designed By:</b>		<b>Checked By:</b>	Approved By:
<b>Date:</b>		<b>Date:</b>	Date:



Rev:

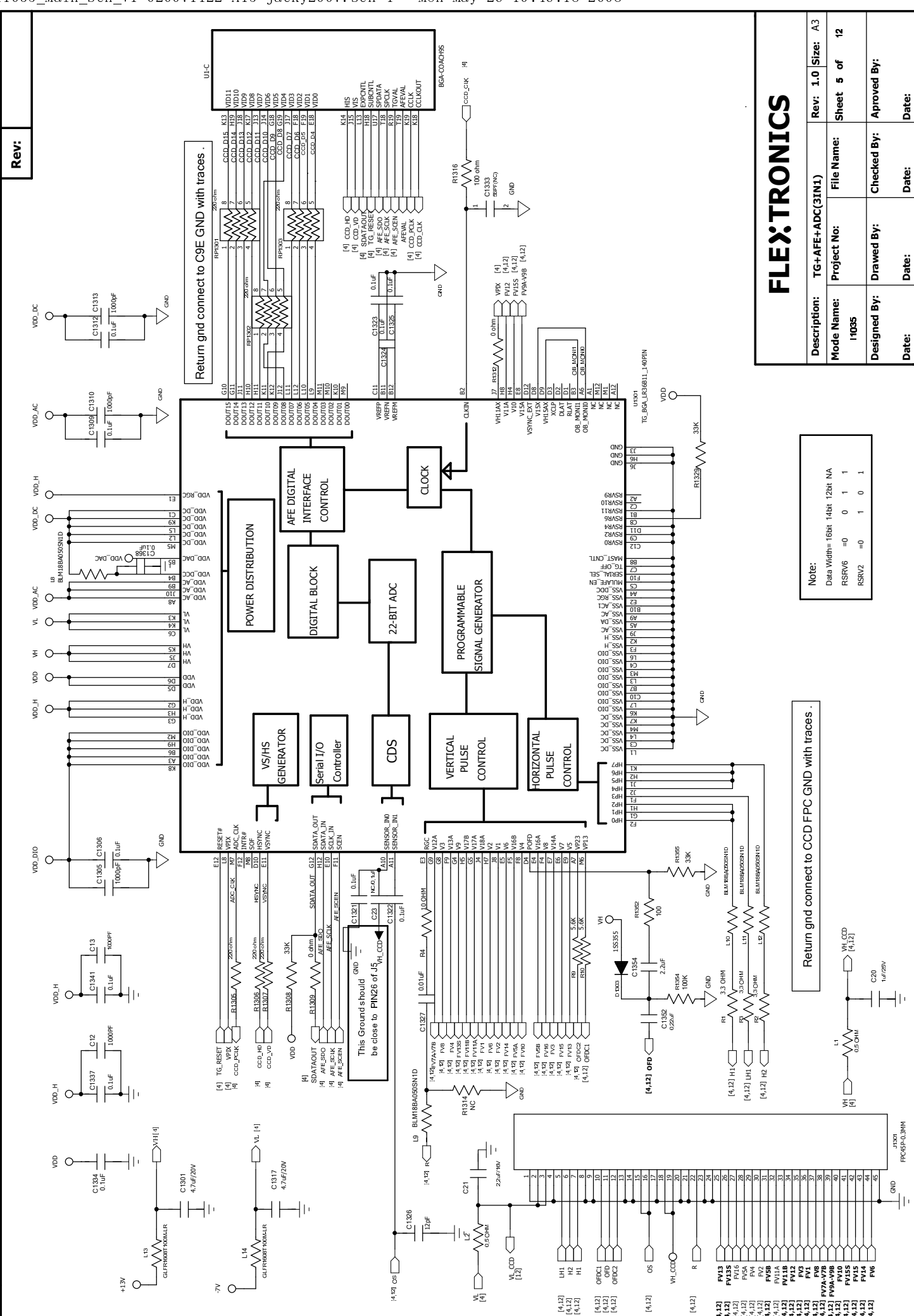
J1501  
TP0300WHEAL



1: R103 ,RP4 and RP5 close COACH9S  
2: LCD gnd connect to C9E with traces .

# FLEXTRONICS

Description:	LCD PART	Rev:	1.0	Size:	A3
Mode Name:	11035	Project No:		Sheet	7 of 12
Designed By:		Drawn By:		Checked By:	Approved By:
Date:		Date:		Date:	Date:

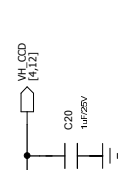


# FLEXTRONICS

<b>Description:</b>	TG-AFE+ADC(3IN1)	<b>Rev:</b>	1.0	<b>Size:</b>	A3
<b>Mode Name:</b>	11035	<b>Project No:</b>		<b>File Name:</b>	
<b>Designed By:</b>		<b>Drawn By:</b>		<b>Checked By:</b>	
<b>Date:</b>		<b>Date:</b>		<b>Date:</b>	
<b>Sheet</b>	<b>5</b>	<b>of</b>	<b>12</b>	<b>Approved By:</b>	

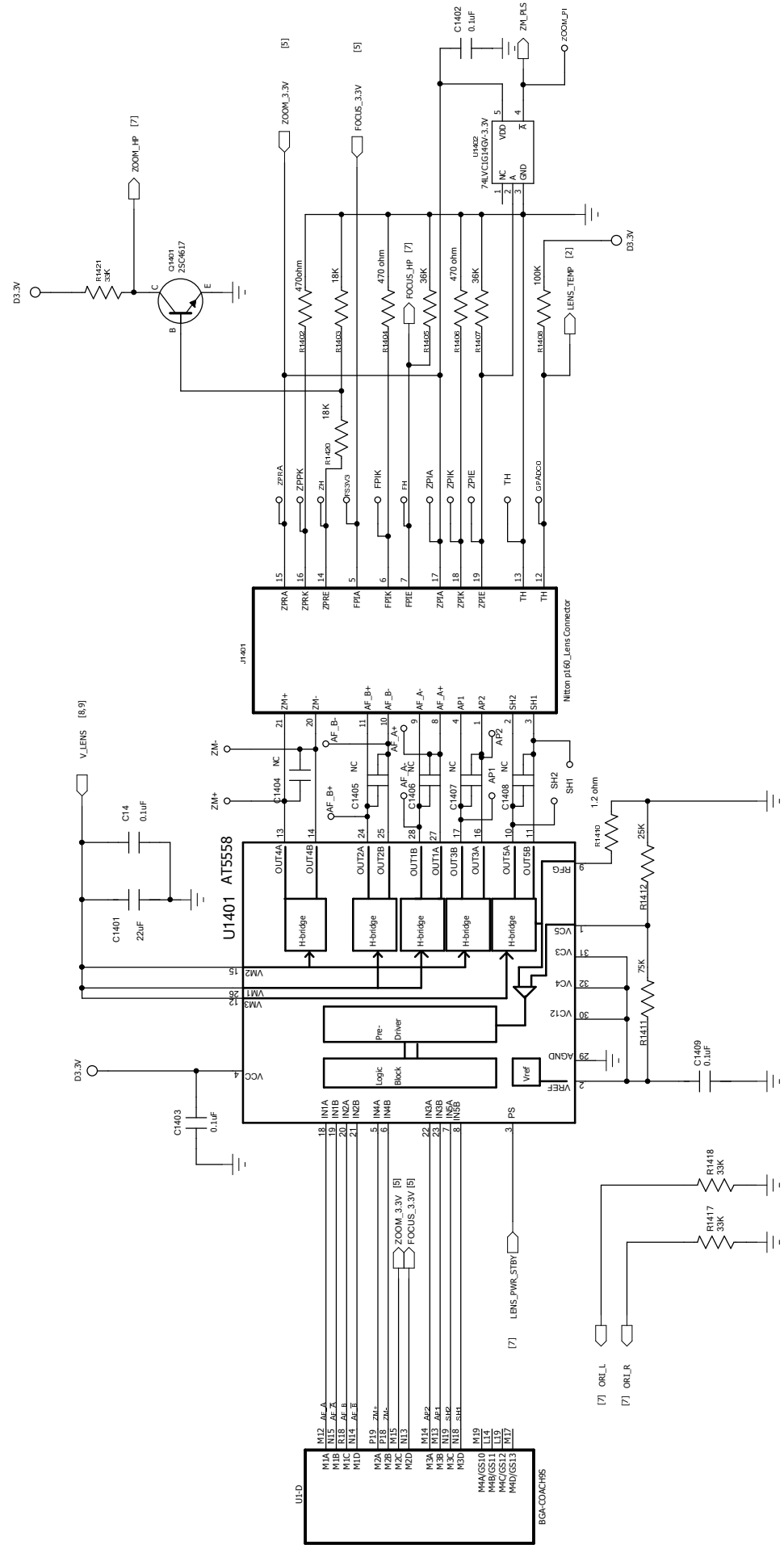
Note:  
Data Width= 16bit 14bit 12bit NA  
RSRV6 = 0 0 1 1  
RSRV2 = 0 1 0 1

Return gnd connect to CCD FPC GND with traces.



FPC6P-0.3MM

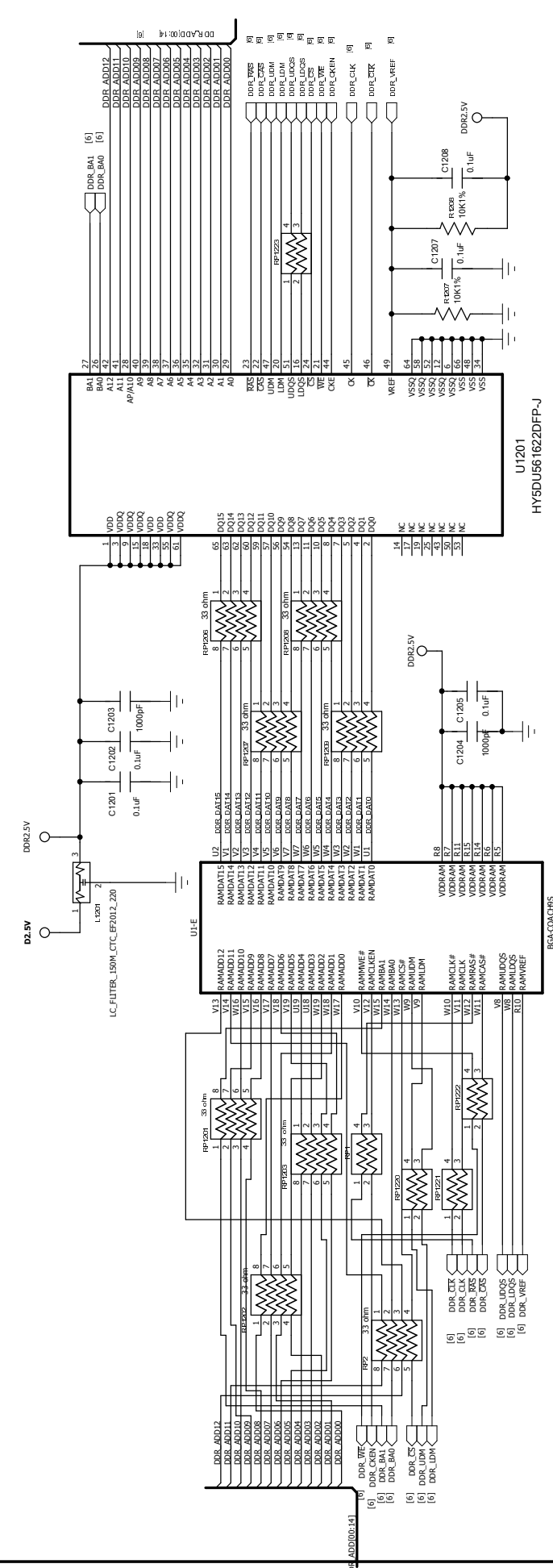
Rev:



# FLEXTRONICS

<b>Description:</b>	LENS DRIVER	<b>Rev:</b>	1.0	<b>Size:</b>	A3
<b>Mode Name:</b>	11035	<b>Project No:</b>		<b>Sheet</b>	6 of 12
<b>Designed By:</b>		<b>Drawn By:</b>		<b>Checked By:</b>	
<b>Date:</b>		<b>Date:</b>		<b>Date:</b>	

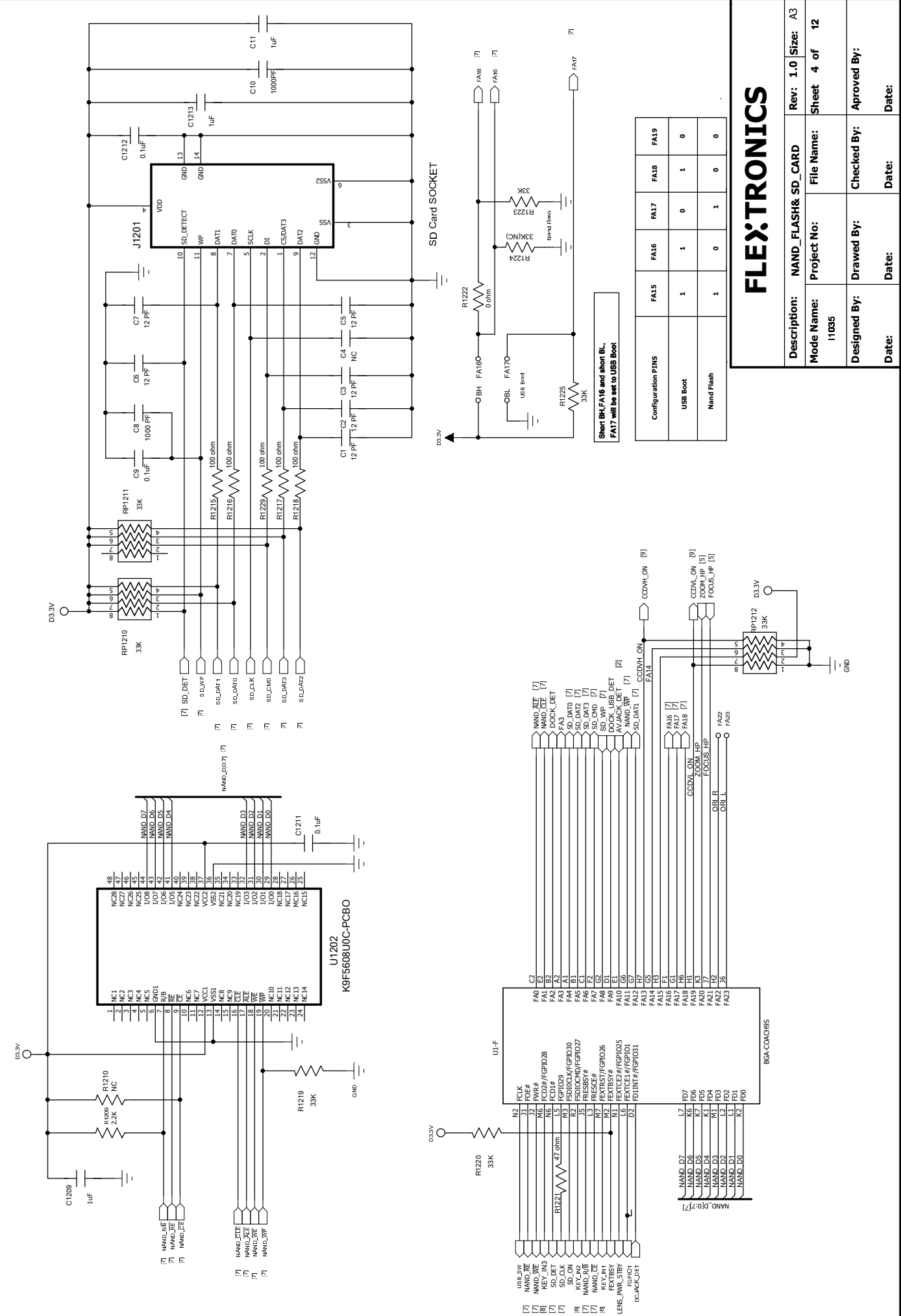
Rev:



# FLEX:TRONICS

Description: DDR MEMORY		Rev: 1.0	Size: A3
Mode Name: I1035	Project No:	File Name:	Sheet 3 of 12
Designed By:	Drawn By:	Checked By:	Approved By:
Date:	Date:	Date:	Date:

Rev:

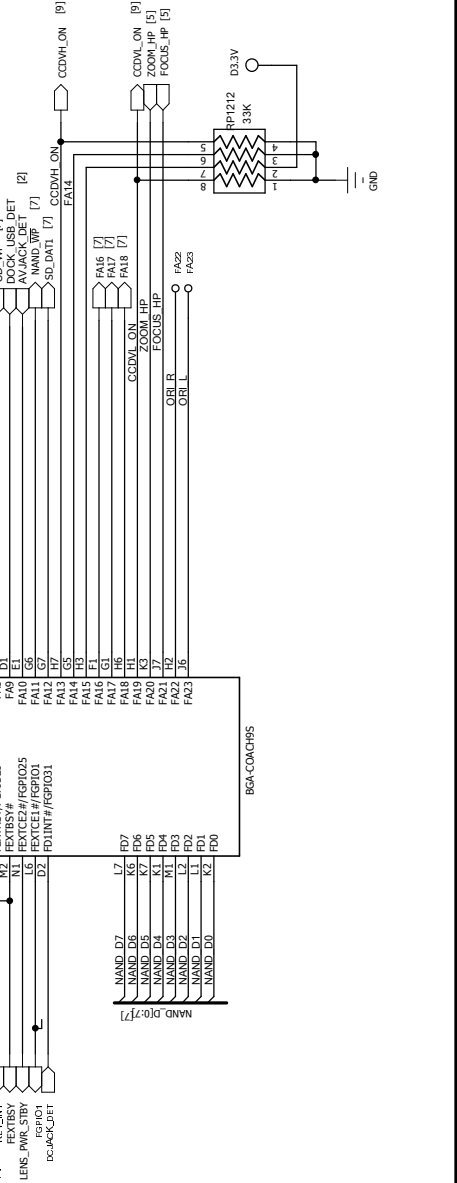


Configuration PINS	FA15	FA16	FA17	FA18	FA19
USB Boot	1	1	0	1	0
Nand Flash	1	0	1	0	0

# FLEX:TRONICS

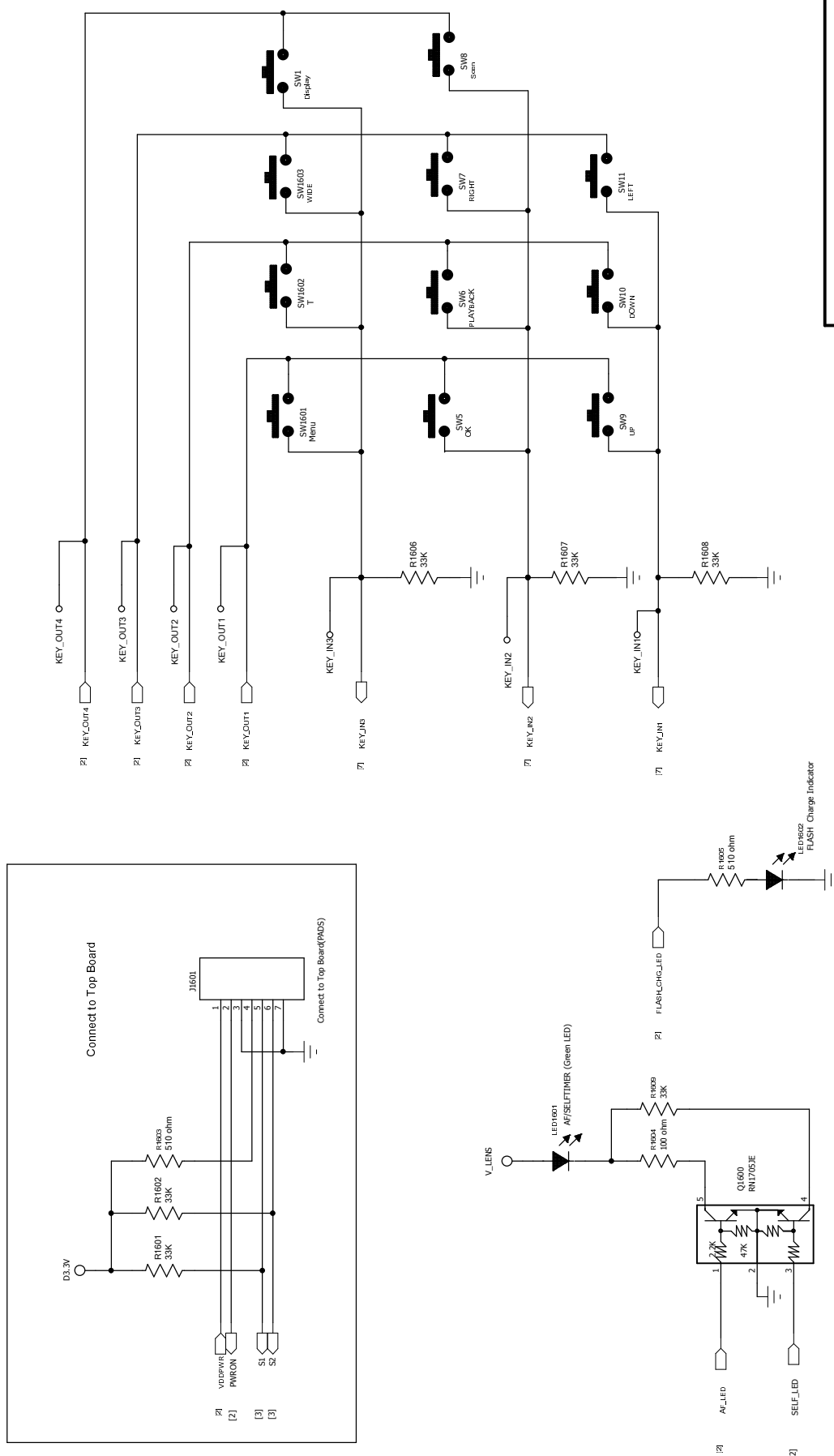
Description:	NAND_FLASH8_SD_CARD	Rev:	1.0	Size:	A3
Mode Name:	11035	Project No:		File Name:	
Designed By:		Drawn By:		Checked By:	
Date:		Date:		Date:	
			Sheet	4	of 12
			Approved By:		

Short BH-FA16 and short BL-FA17 will be set to USB Boot.



[5] LENS\_PWR\_STRBY FGPI01 FGPI02 FEXTCE2#/FGPI025 FEXTCE1#/FGPI01 FD1INT#/FGPI01 DC\_JACK\_DET

Rev:

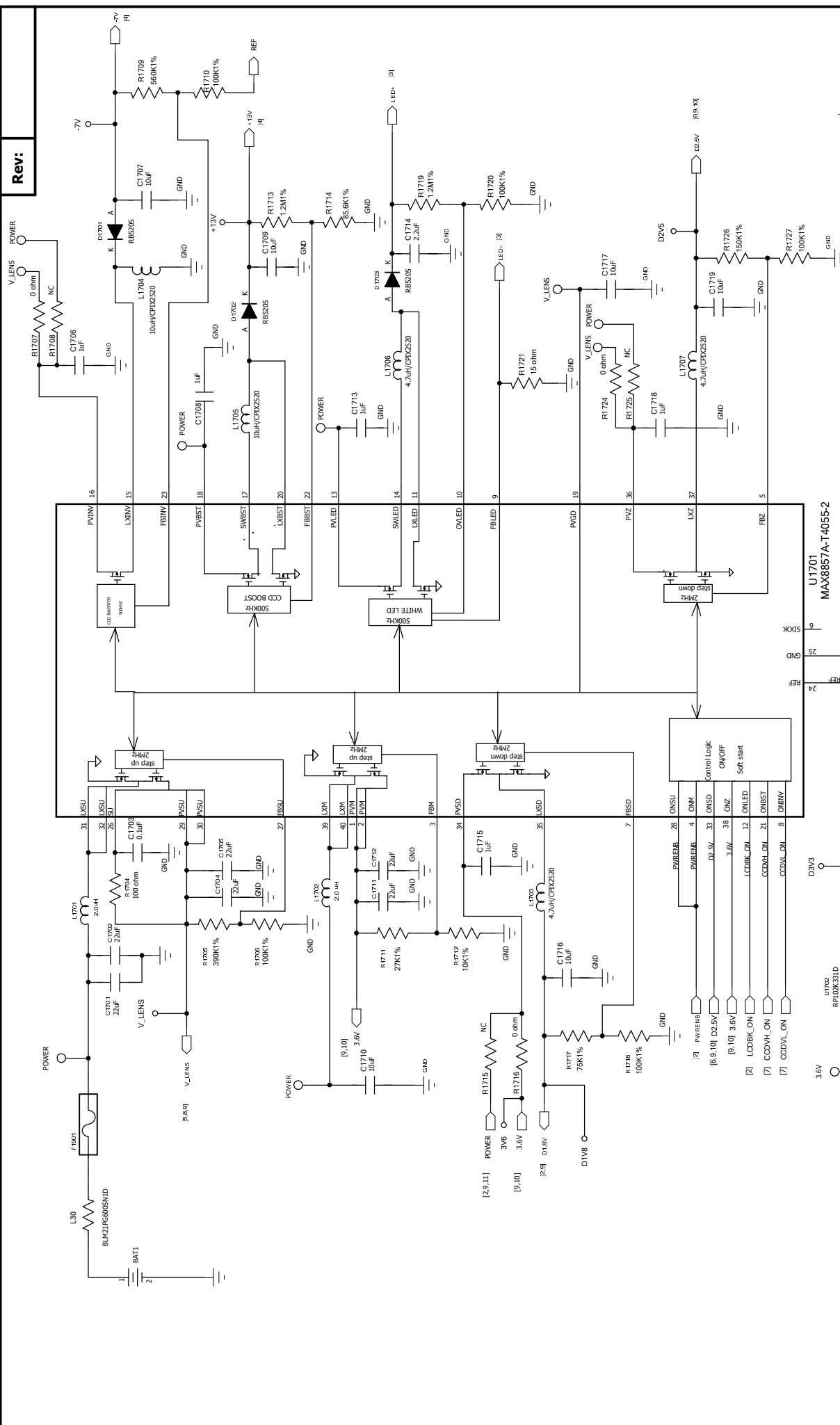


# FLEXTRONICS

Description: KEY PART		Rev: 1.0	Size: A3
Mode Name: 11035	Project No:	File Name:	Sheet 8 of 12
Designed By:	Drawn By:	Checked By:	Approved By:
Date:	Date:	Date:	Date:



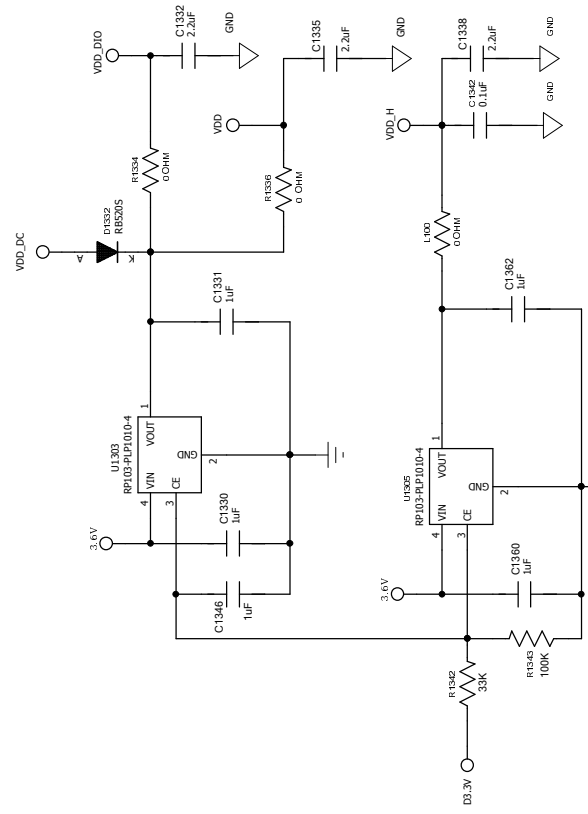
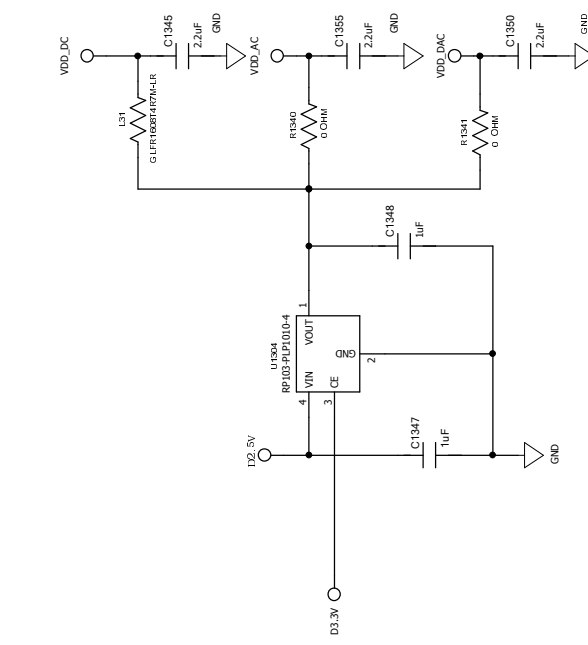
Rev:



# FLEXTRONICS

<b>Description:</b>	MAIN POWER	<b>Rev:</b>	1.0	<b>Size:</b>	A3
<b>Mode Name:</b>	11035	<b>Project No:</b>		<b>File Name:</b>	Sheet 9 of 12
<b>Designed By:</b>		<b>Drawn By:</b>		<b>Checked By:</b>	Approved By:
<b>Date:</b>		<b>Date:</b>		<b>Date:</b>	Date:

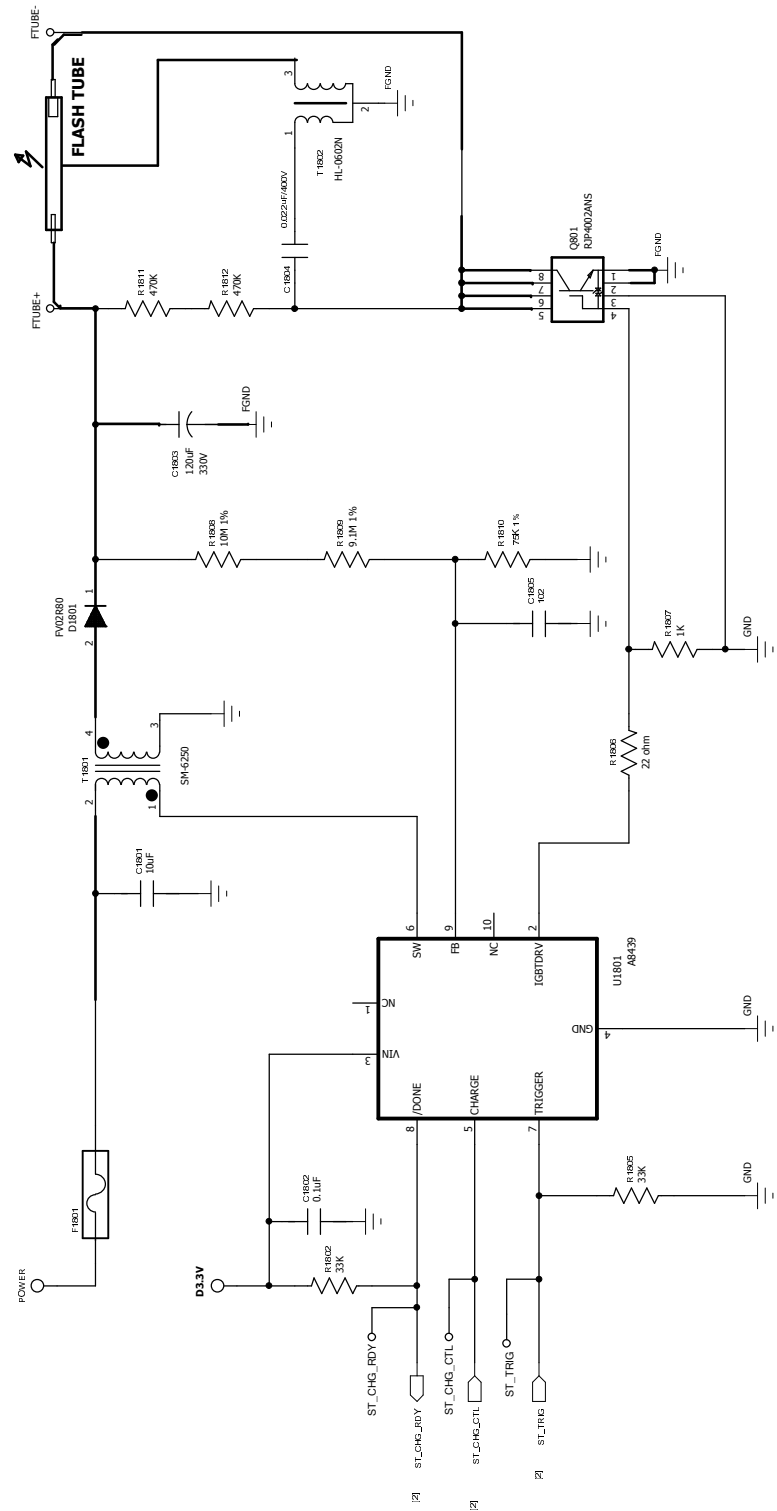
Rev:



# FLEX:TRONICS

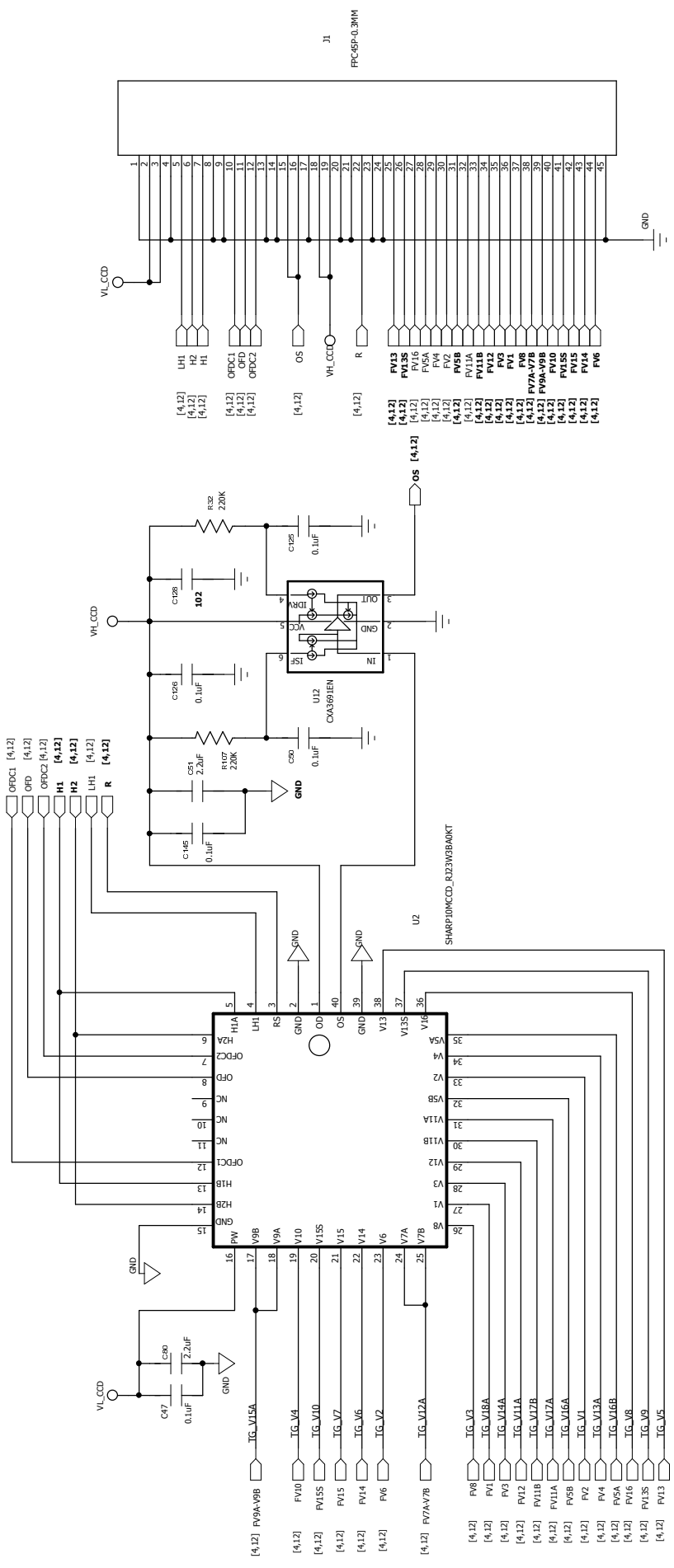
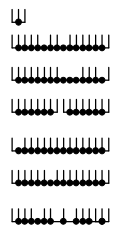
Description: TG POWER		Rev: 1.0	Size: A3
Mode Name: 11035	Project No:	Sheet 10 of 12	
Designed By:	Drawn By:	Checked By:	Approved By:
Date:	Date:	Date:	Date:

Rev:



# FLEX:TRONICS

Description: STROBE		Rev: 1.0	Size: A3
Mode Name: 11035	Project No:	File Name:	Sheet 11 of 12
Designed By:	Drawn By:	Checked By:	Approved By:
Date:	Date:	Date:	Date:



# FLEXTRONICS

Description: COACH9E DSP		Rev: 1.0	Size: A3
Mode Name: I1035	Project No:	File Name:	Sheet 12 of 12
Designed By:	Drawn By:	Checked By:	Approved By:
Date:	Date:	Date:	Date: