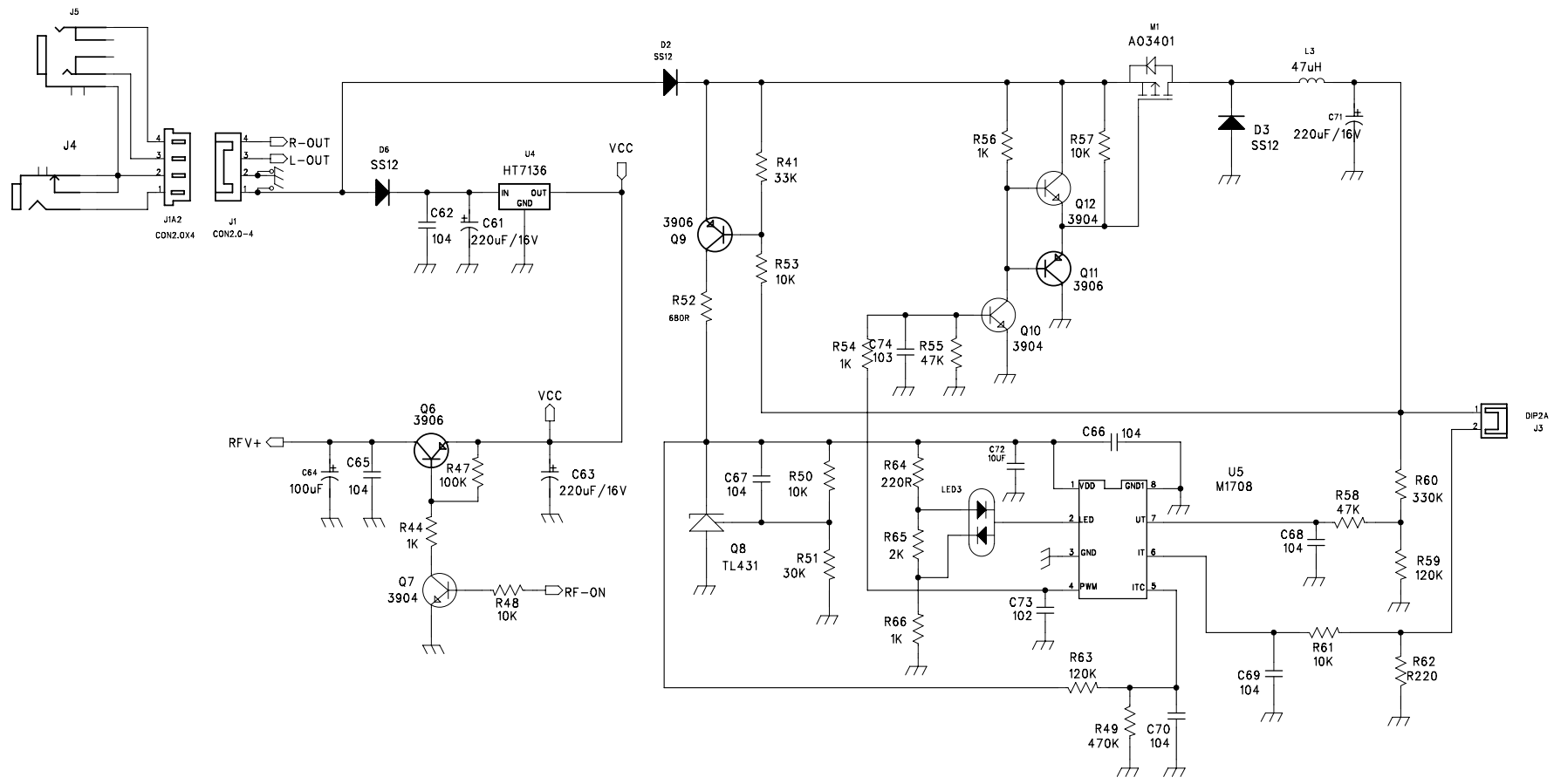


DCSS ELECTRONIC LTD		
MODEL:	DS-988-TX-V1	2/2
DATE:	2009.06.28	



DCSS ELECTRONIC LTD		
MODEL:	DS-988-TX-V1	2/2
DATE:	2009.06.28	