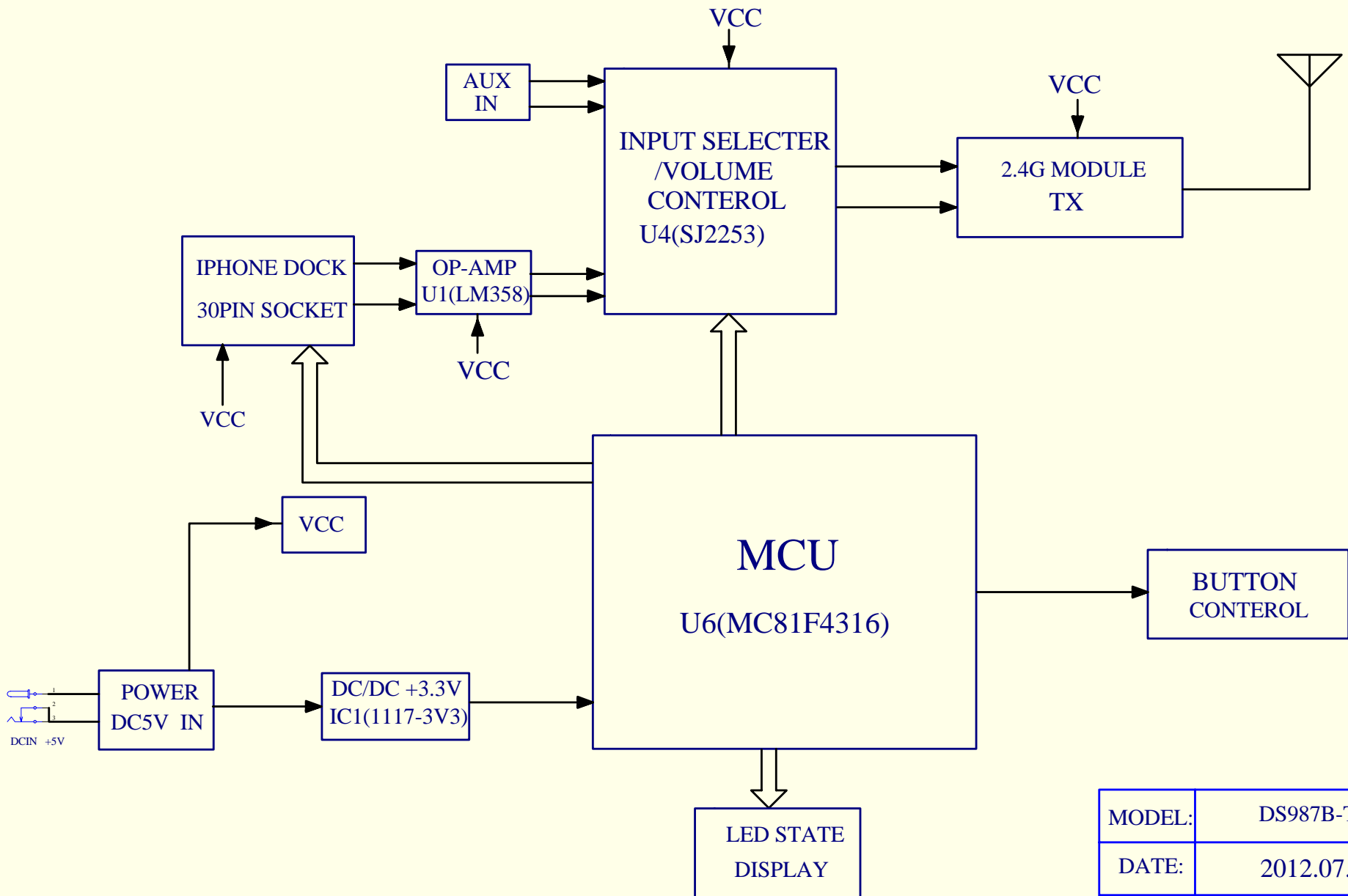


DS987B-TX BLOCK DIAGRAM



MODEL:	DS987B-TX
DATE:	2012.07.01
REV:	1.0

Block Diagram

