

BLUETOOTH SPEAKER

DS-1176

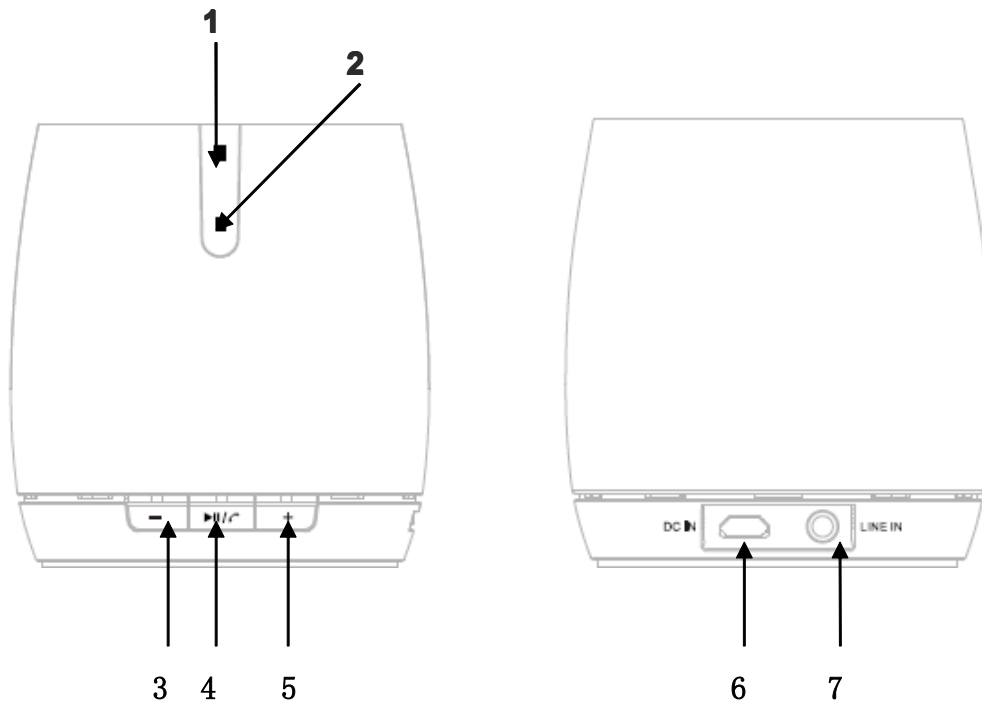
Thank you to have chosen our product. This product has been created by our professional team and according to the American regulation. For a better use of your new device, we recommend you to read carefully this user manual and keep it for record.



Specifications

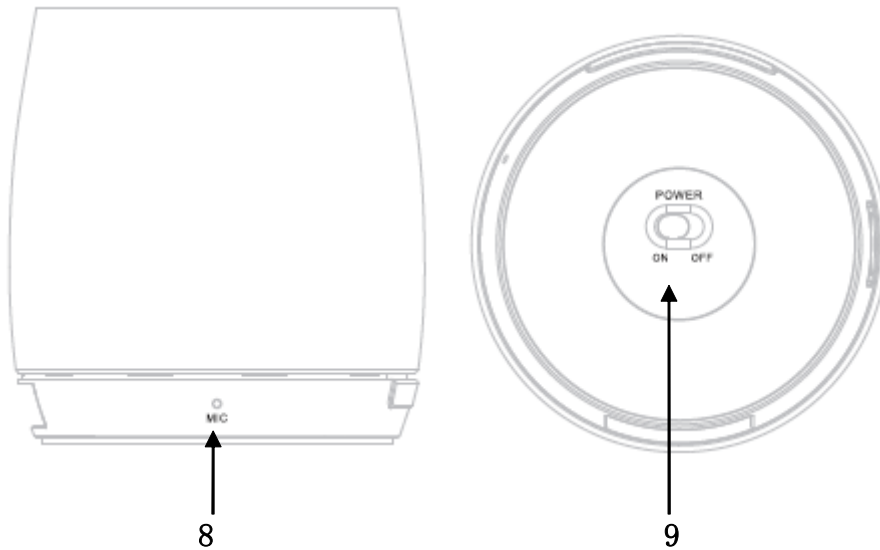
- Model No.: DS-1176
- Speaker size: 72*72*76mm
- Bluetooth A2DP function
- Rechargeable Li-ion battery included
- Battery capacity: 3.7V 500mAh
- Battery life:3Hrs (Volume at 50%)
- Micro USB jack, power by USB cable (USB cable included)
- Battery charging indicator
- 3.5mm Aux jack for connection to other MP3, CD, Laptop...
- Output power: 1.5W X 1 (THD=10%)
- Working distance: 33 Feet

Product sketch map




1. Mode indicator
2. Charging indicator
3. Volume Down
4. Pause/Play/Hand-Free
5. Volume Up
6. Micro USB port
7. Aux-in Port

Status	Indicator
Bluetooth pairing	Blue light flash quickly
Paired	Blue light flash slowly
Aux-in mode	Red
Charging	Red light
Fully Charged	Green Light



8. Microphone
9. Power On/Off Switch


Pairing a Bluetooth Speaker

1. To push the  to turn on the speaker, **there is a Beep sound**. The speaker is defaulted in Bluetooth Mode.
2. Turn on your Bluetooth device, search “BT Model NO” and select the DS-1176 in your Bluetooth Setting and pair your Bluetooth device with the speaker.
3. When pairing, the Bluetooth indicator light flashes blue quickly.
4. When successfully paired and connected, there will be a **Beep** sound.

Both the speaker and your Bluetooth device will store the device name. Next time, when you use the same Bluetooth device to connect the speaker, no password is asked.

Note: Hold the button  for more than 3 seconds, the Bluetooth connection will be terminated.

Playing Audio Wirelessly

1. Follow the instruction of [Pairing A Bluetooth Device](#)
2. Adjust the volume by press or hold the **-** or **+** buttons or native controls on the Bluetooth device.
3. Press  on the speaker to play/pause the tune or just control the tune by press Play/Pause on the Bluetooth device.
4. Press the Hand-Free to answer incoming calls, streaming music will pause. Then press the Hand-Free to end calls, streaming music will resume.

Using the 3.5mm Audio Input

1. Plug one end of a 3.5mm Audio input cable into the 3.5mm Audio Input on the unit. The mode indicator light will display a red light.
2. Plug the other end of the 3.5mm Audio input cable into the audio output/headphone output on an MP3 Player or other audio devices.
3. Turn on the speaker, the audio will play through the connected device will now heard through the speakers.
4. Press and hold the **-** or **+** buttons to adjust the volume.
5. If you want to Play/pause the tune, just control the native buttons on your MP3 player.

FCC Statement:

This device complies with part 15 of the FCC Rules. Operation is subject to the following two conditions: (1) This device may not cause harmful interference, and (2) this device must accept any interference received, including interference that may cause undesired operation.

This equipment has been tested and found to comply with the limits for a Class B digital device, pursuant to part 15 of the FCC Rules. These limits are designed to provide reasonable protection against harmful interference in a residential installation. This equipment generates, uses and can radiate radio frequency energy and, if not installed and used in accordance with the instructions, may cause harmful interference to radio communications. However, there is no guarantee that interference will not occur in a particular installation. If this equipment does cause harmful interference to radio or television reception, which can be determined by turning the equipment off and on, the user is encouraged to try to correct the interference by one or more of the following measures:

- Reorient or relocate the receiving antenna.
- Increase the separation between the equipment and receiver.
- Connect the equipment into an outlet on a circuit different from that to which the receiver is connected.
- Consult the dealer or an experienced radio/TV technician for help.

Caution: Any changes or modifications not expressly approved by the party responsible for compliance could void the user's authority to operate the equipment.