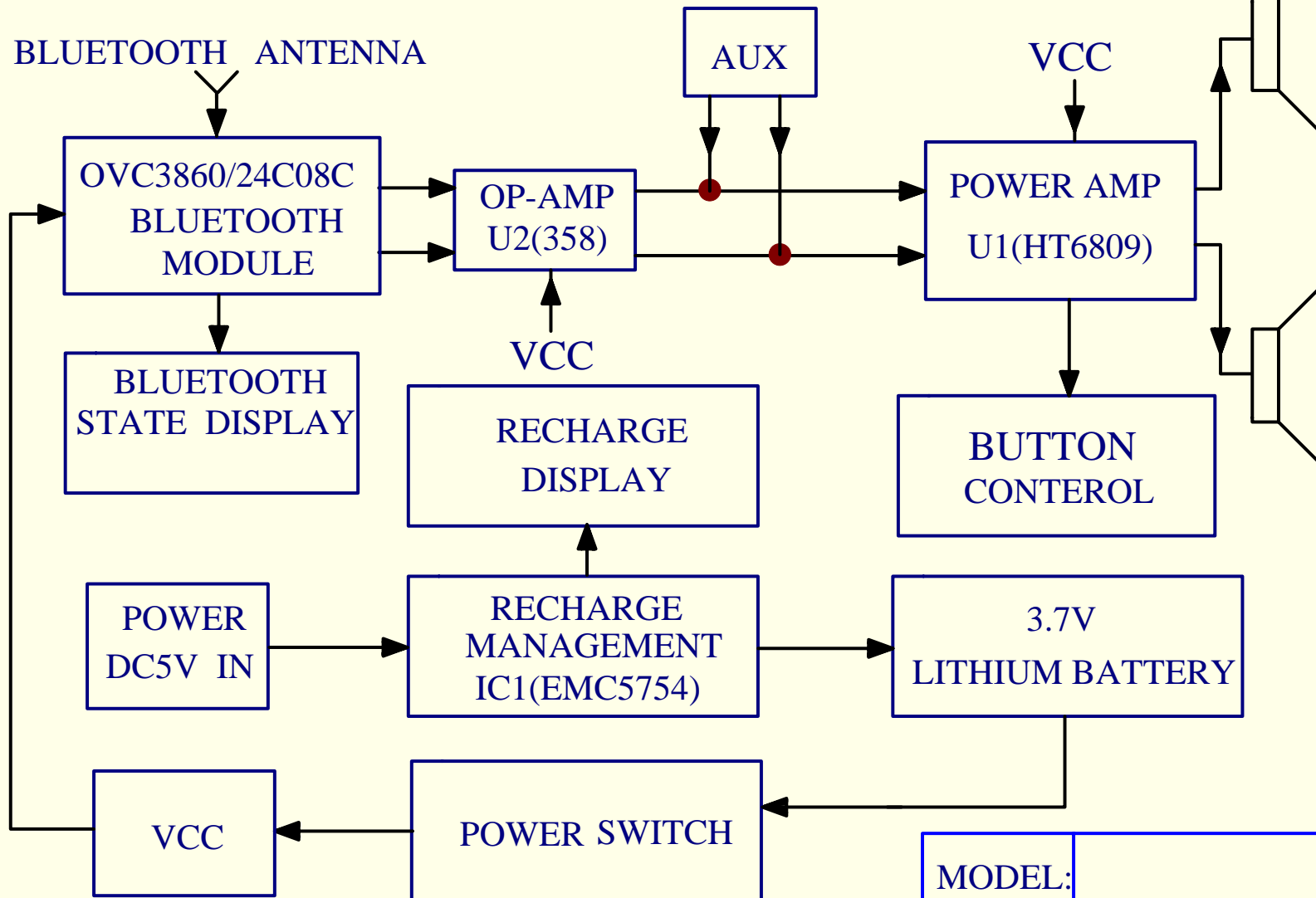


BLOCK DIAGRAM



MODEL:	
DATE:	2012.08.10

F-3089

