



BLUETOOTH SPEAKER

MODEL: DS-1098, ISDB752B,DS-865B

USER GUIDE

## **IMPORTANT SAFETY INSTRUCTIONS**

1. Read these Instructions.
2. Keep these Instructions.
3. Heed all Warnings.
4. Follow all instructions.
5. Do not use this apparatus near water.
6. Clean only with a dry cloth.
7. Do not block any ventilation openings. Install in accordance with the manufacturer's instructions.
8. Do not install near any heat sources such as radiators, heat registers, stoves, or other apparatus (including amplifiers) that produce heat.
9. Do not defeat the safety purpose of the polarized or grounding - type plug. A polarized plug has two blades with one wider than the other. A grounding type plug has two blades and a third grounding prong. The wide blade or the third prong are provided for your safety. When the provided plug does not fit into your outlet, consult an electrician for replacement of the obsolete outlet.
10. Protect the power cord from being walked on or pinched particularly at plugs, convenience receptacles, and the point where they exit from the apparatus.
11. Only use attachments/accessories specified by the manufacturer.
12. Use only with a cart, stand, tripod, bracket, or table specified by the manufacturer, or sold with the apparatus. When a cart is used, use caution when moving the cart/apparatus combination to avoid injury from tip-over. Unplug this apparatus during lightning storms or when unused for long periods of time.
13. Refer all servicing to qualified service personnel. Servicing is required when the apparatus has been damaged in any way, such as power-supply cord or plug is damaged, liquid has been spilled or objects have fallen into the apparatus, the apparatus has been exposed to rain or moisture, does not operate normally, or has been dropped.

## FCC Warnings

Warning: Changes or modifications to this unit not expressly approved by the party responsible for compliance could void the user's authority to operate the equipment.

NOTE: This equipment has been tested and found to comply with the limits for a Class

B digital device, pursuant to Part 15 of the FCC Rules. These limits are designed to provide reasonable protection against harmful interference in a residential installation. This equipment generates, uses, and can radiate radio frequency energy and, if not installed and used in accordance with the instructions, may cause harmful interference to radio communications. However, there is no guarantee that interference will not occur

in a particular installation. If this equipment does cause harmful interference to radio or

television reception, which can be determined by turning the equipment off and on, the user

is encouraged to try to correct the interference by one or more of the following measures:

- Reorient or relocate the receiving antenna.
- Increase the separation between the equipment and receiver.
- Connect the equipment into an outlet on a circuit different from that to which the receiver is connected.
- Consult the dealer or an experienced radio/TV technician for help.

This device complies with Part 15 of the FCC Rules. Operation is subject to the following two conditions: (1) this device may not cause harmful interference, and (2) this device must accept any interference received, including interference that may cause undesired operation.

The antenna used for this transmitter must be installed to provide a separation distance of at least 20 cm from all persons and must not be co-located or operated in conjunction with any other antenna or transmitter.

## Additional Warnings

- The apparatus shall not be exposed to dripping or splashing and that no objects filled with liquids, such as vases, shall be placed on apparatus.

*L'appareil ne doit pas être exposé aux écoulements ou aux éclaboussures et aucun objet ne contenant de liquide, tel qu'un vase, ne doit être placé sur l'objet.*

- Main plug is used as disconnect device and it should remain readily operable during intended use. In order to disconnect the apparatus from the mains completely, the mains plug should be disconnected from the mains socket outlet completely.

*La prise du secteur ne doit pas être obstruée ou doit être facilement accessible pendant son utilisation. Pour être complètement déconnecté de l'alimentation d'entrée, la prise doit être débranchée du secteur.*

- Battery shall not be exposed to excessive heat such as sunshine, fire or the like.

*Les piles ne doivent pas être exposées à de forte chaleur, tel qu'à la lumière du soleil, au feu ou autres choses de semblable.*

- Caution marking is located at the rear or bottom of the apparatus.

*Attention marquage est situé sur le panneau arrière ou inférieur de l'unité.*

- The marking information is located at the rear or bottom of apparatus.

*Le marquage est situé sur le panneau arrière ou inférieur de l'unité.*

## **WARNINGS AND PRECAUTIONS**

- **CAUTION:** TO PREVENT ELECTRIC SHOCK, MATCH WIDE BLADE OF PLUG TO WIDE SLOT, FULLY INSERT.

- **WARNING:** To reduce the risk of fire or electric shock, do not expose this apparatus to rain or moisture.

- **AVERTISSEMENT:** Pour réduire le risque d'incendie ou de choc électrique, ne pas exposer cet appareil sous la pluie et l'humidité.

- **CAUTION:** Use of controls or adjustments or performance of procedures other than those specified may result in hazardous radiation exposure.

- **WARNING:** Changes or modifications to this unit not expressly approved by the party

responsible for compliance could void the user's authority to operate the equipment.

- **WARNING:** Do not place the unit on top of any soft, porous, or sensitive surfaces to avoid

damaging the surface. Use a protective barrier between the unit and surface to protect the surface.

- **WARNING:** Use of this unit near fluorescent lighting may cause interference regarding use of the remote. If the unit is displaying erratic behavior move away from any fluorescent lighting, as it may be the cause.

- **CAUTION:** Danger of explosion if battery is incorrectly replaced.

Replace only with the same or equivalent type.

- **PRÉCAUTION:** *Danger d'explosion si les piles sont remplacées de façon incorrecte. Remplacer les piles seulement par le même type de pile ou l'équivalent.*

- **WARNING:** There is a danger of explosion if you attempt to charge standard Alkaline batteries in the unit. Only use rechargeable NiMH batteries.

- **WARNING:** The remote control's button cell battery contains mercury. Do not put in the trash, instead recycle or dispose of as hazardous waste

- **WARNING:** Lithium batteries, like all rechargeable batteries are recyclable and should be

recycled or disposed of in normal household waste. Contact your local government for disposal

or recycling practices in your area. They should never be incinerated since they might explode.

- **WARNING:** Shock hazard - Do Not Open.

- **AVIS: RISQUE DE CHOC ÉLECTRIQUE - NE PAS OUVRIR**

Mains plug is used as disconnect device and it should remain readily operable during intended use. In order to disconnect the apparatus from the mains completely, the mains plug should be disconnected from the mains socket outlet completely.

*La prise du secteur est utilisé pour déconnecter le système.*

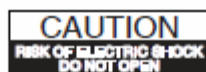
*La prise du secteur ne doit pas être obstruée ou doit être facilement accessible pendant son utilisation. Pour être complètement déconnecté de l'alimentation d'entrée, la prise doit être débranché du secteur.*

Do not mix old and new batteries.

Do not mix alkaline, standard (carbon-zinc), or rechargeable (ni-cad, ni-mh, etc) batteries.

*No mezcle baterías viejas y nuevas.*

*No mezcle baterías alcalinas, estándar (carbono-zinc) o recargables (ni-cad, ni-mh, etc.).*



**WARNING: TO REDUCE THE RISK OF ELECTRIC SHOCK, DO NOT REMOVE COVER (OR BACK). NO USER-SERVICEABLE PARTS INSIDE. REFER SERVICING TO QUALIFIED SERVICE PERSONNEL.**



The lightning flash with arrowhead symbol, within an equilateral triangle, is intended to alert the user to the presence of uninsulated “dangerous voltage” within the product’s enclosure that may be of sufficient magnitude to constitute a risk of electric shock to persons.



The exclamation point within an equilateral triangle is intended to alert the user to the presence of important operating and maintenance (servicing) instructions in the literature accompanying the appliance.



This symbol indicates that this product incorporates double insulation between hazardous mains voltage and user accessible parts.

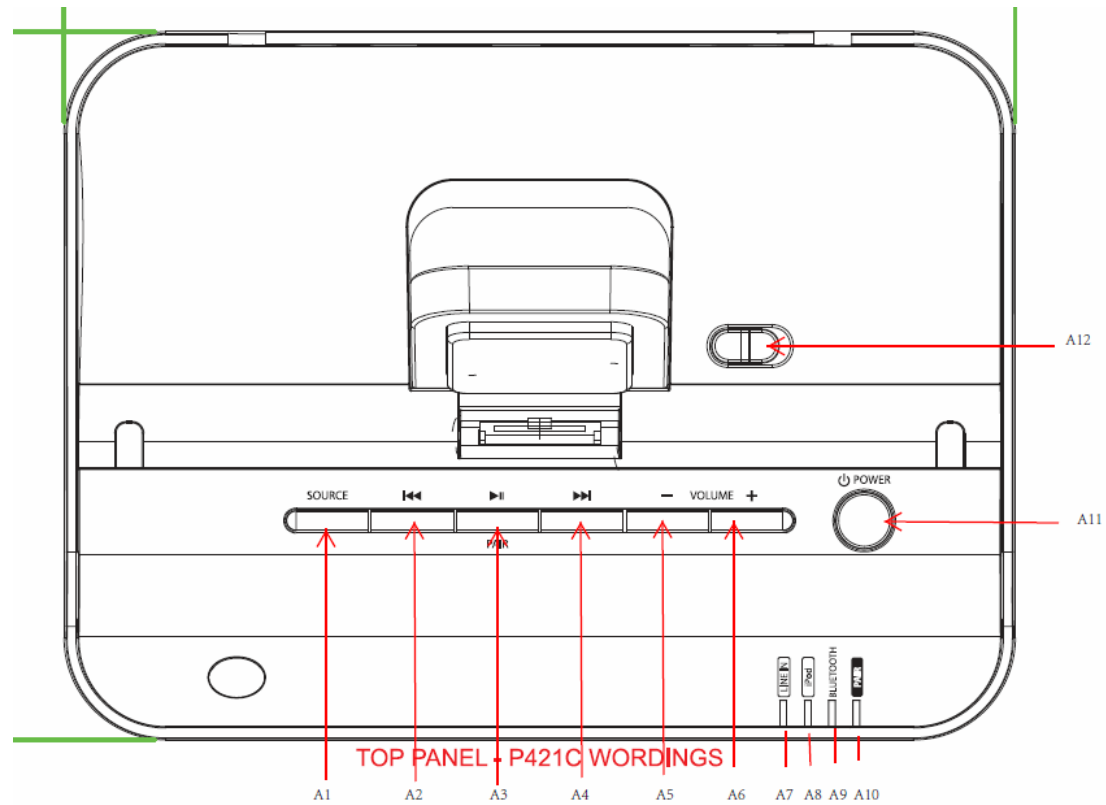
## **Features**

- Made for iPod and iPhone and iPad
- Plays and charges docked iPod and iPhone and iPad
- 2 channel stereo sound
- Bluetooth A2DP
- Composite video output
- 3.5mm audio input
- Digital volume control
- Portrait or landscape orientation
- DC power input: requires an AC/DC power adapter (included)

## **Included**

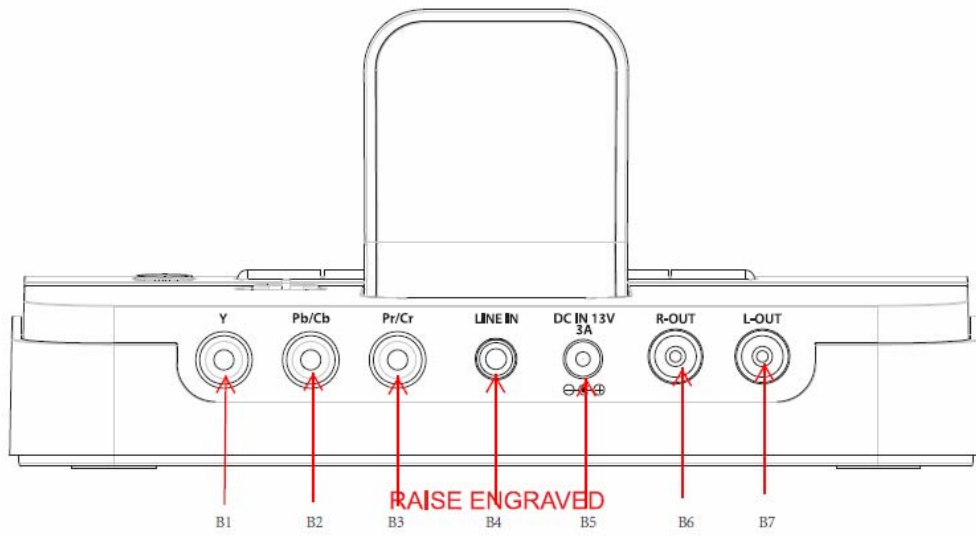
- Video out cable
- AC/DC power adapter
- 3.5mm audio cable

## Introduction



- A1: Source
- A2: Previous tune
- A3: Play/Pause/Pair
- A4: Next Tune
- A5: Vol-
- A6: Vol+
- A7: Line In
- A8: iPod
- A9: Bluetooth
- A10: Pair
- A11: Power
- A12: Release button





**B1: Y Jack**

**B2: Pb/Cb jack**

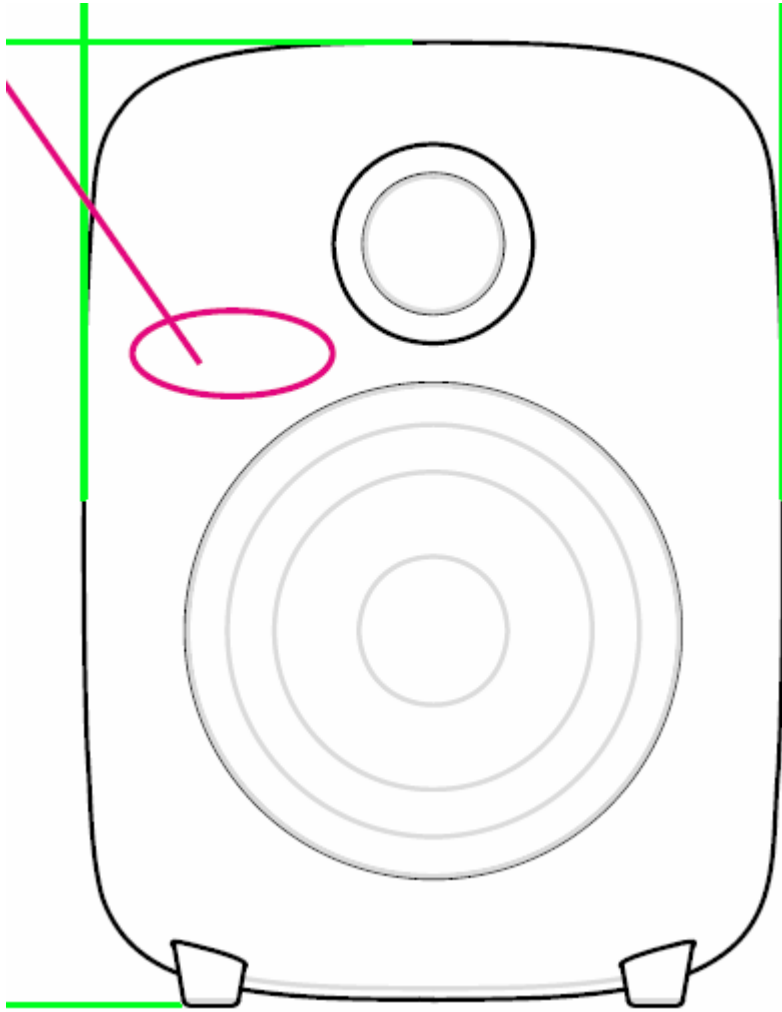
**B3: Pr/Cr jack**

**B4: LINE IN jack**

**B5: DC IN jack**

**B6: R-Out jack**

**B7: L-Out jack**



C1: Side Speaker



1. Power: Press to turn speaker on/off
2. Mute: Press to mute speaker
3. Source: Press to switch between iPod/Line in/Bluetooth
4. Menu: Press to go to Menu
5. Up: Press to navigate menu
6. Enter: Press to select menu
7. Previous tune: Press to go to last tune
8. Play/Pause: play or pause the track
9. Next tune: Press to go to last tune
10. Repeat: Press to cycle through repeat options on a docked iPod/iPhone/iPad
11. Down: Press to navigate menu
12. Shuffle: Press to cycle through shuffle options on a docked iPod/iPhone/iPad
13. Video out: Press to turn on video out
14. Vol-: Press to decrease volume
15. Vol+: Press to increase volume

## **Setup**

### **Power**

DC power input: requires an AC/DC power adapter (included)

Plug the side speaker connection cable into docking R/L line out jack.

## **iPod and iPhone and iPad**

### **Docking an iPod or iPhone, or iPad**

1. Connect the iPod or iPhone, or iPad to the connector inside the Dock for iPod
2. When the speaker is plugged in, using AC power, the docked iPod/iPhone/iPad will charge.

### **Playing a Docked iPod/iPhone/iPad**

1. Follow the instructions for Docking an iPod and iPhone and iPad.
2. Press the POWER button to switch on speaker and press SOURCE button to switch to iPod mode.
3. Use the function buttons to control tracks and volume.

Remark: To see video in landscape orientation, push down the 30pin connector and place iPad in landscape mode, connect iPad and speaker by 3.5mm audio cable.

To reset connector, please slide the RELEASE button.

## **3.5mm Audio Input and Composite Video Output**

### **Using the 3.5mm Audio Input**

Requires a 3.5mm audio cable

1. Connect a 3.5mm audio cable to the **3.5MM LINE IN** on the speaker and an audio output on an MP3 player or other audio source.
2. Press the **SOURCE** button to switch to Line In mode.
3. Use the native controls on the connected MP3 player or other audio source to play and control audio played through the speaker.

### **Using the Composite Video Output**

Requires an RCA composite video cable (included)

1. Connect the RCA composite video cable to the **COMPOSITE VIDEO OUTPUT** on the speaker and a composite video input on a television.
2. Adjust the **TV OUT** settings on the docked iPod to **OK**.
3. Videos played from the docked iPod or iPhone

## **Bluetooth Function**

1. Turn on speaker and Press the **SOURCE** button to switch to Bluetooth mode.
3. Use the native controls on the connected MP3 player or other audio source to play and control audio played through the speaker.

### Pairing a Bluetooth Device for the First Time

1. Power on the unit by pressing the **Power** button.

2. Press the **Source** button to switch to Bluetooth mode.

*“PAIR” led will flash slowly.*

3. Press and hold the **Pair** button until “PAIR” flashes quickly.

*When pairing, remain within 3 feet of the unit.*

4. Using the native controls on your Bluetooth device, select the “ISDB752B” in your Bluetooth settings to pair.

*If your device requests a password, enter the default password “0000”.*

*Refer to the user’s manual for your specific device for instructions on pairing and connecting Bluetooth devices.*

5. When successfully paired and connected, the PAIR LED will show solid display.

*After initial pairing, the unit will stay paired unless unpaired manually by the user or erased due to a reset of the device.*

*If your device should become unpaired or you find it is unable to connect, repeat the above steps.*

*Note: ISDB752B can store up to 8 devices.*

*The ninth paired device will replace the first stored device in the unit’s memory.*

*The tenth device paired will replace the second stored unit and so on.*

### Playing Audio Wirelessly

1. Follow the instructions for Pairing a Bluetooth Device.

2. Use the native controls on the connected Bluetooth Device to select a track.

3. To play or pause the selected track, use the native controls on the connected Bluetooth Device or press the **Play/Pause** button.

4. Audio played through the connected Bluetooth device will now be heard through the speakers.