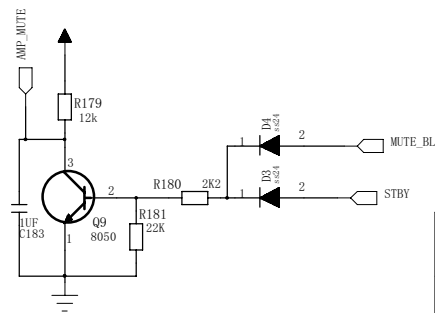
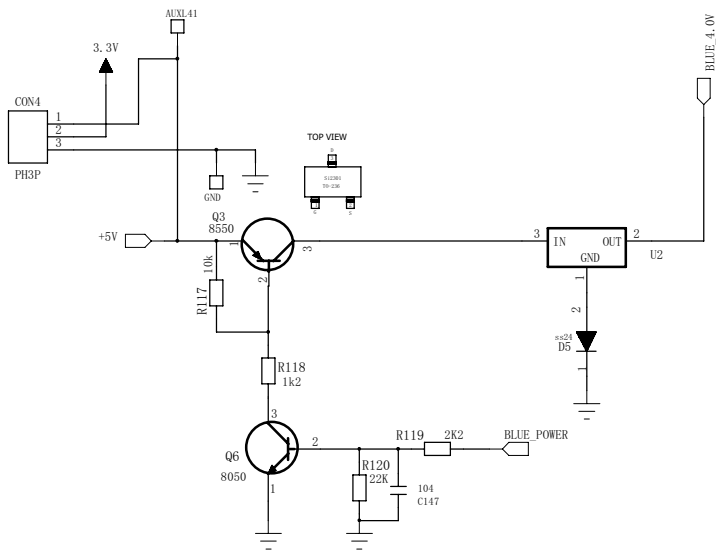
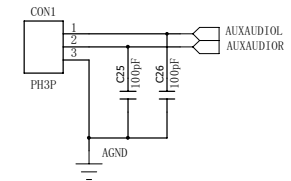
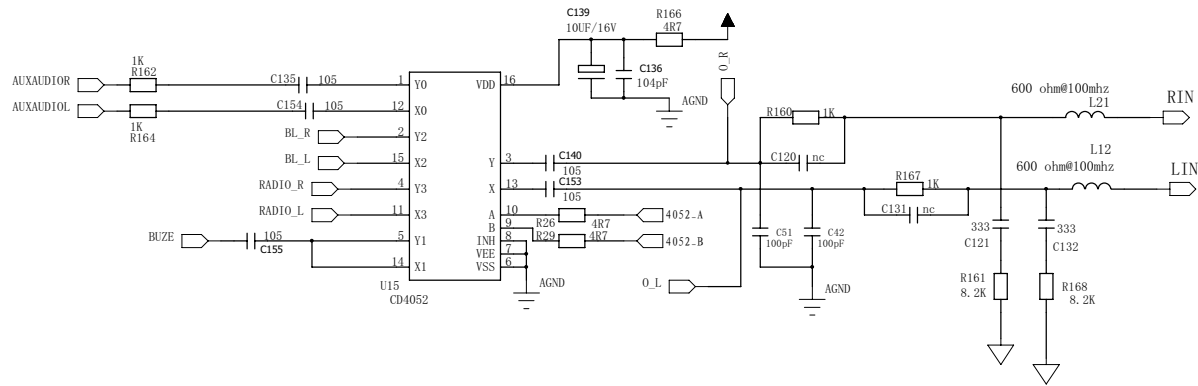
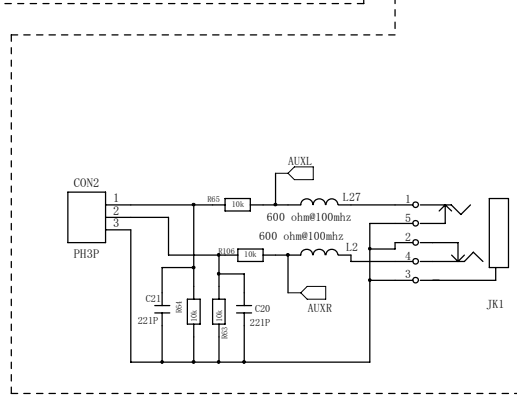
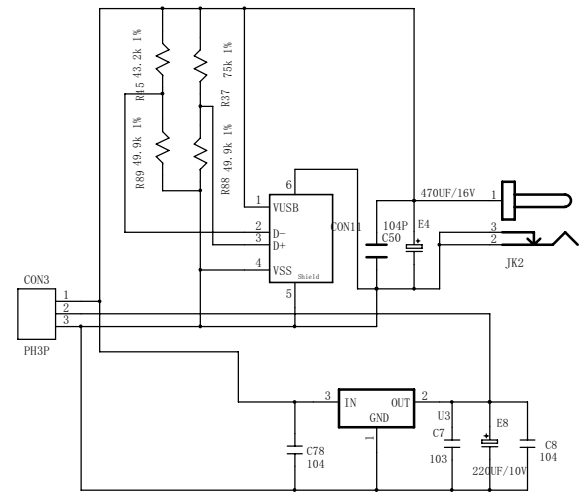
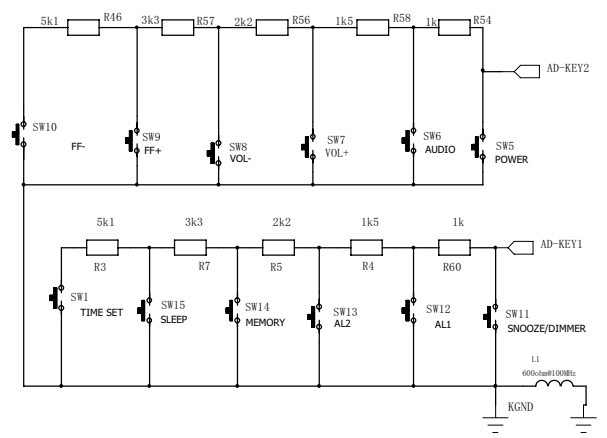
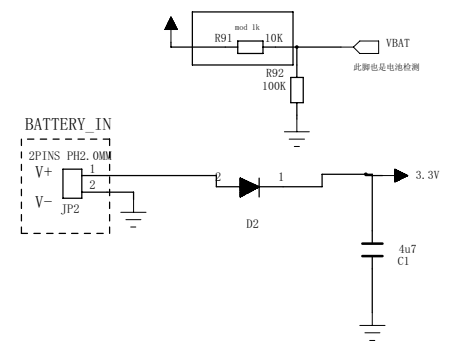
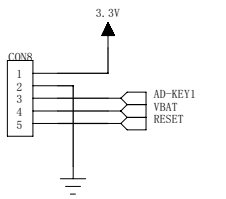
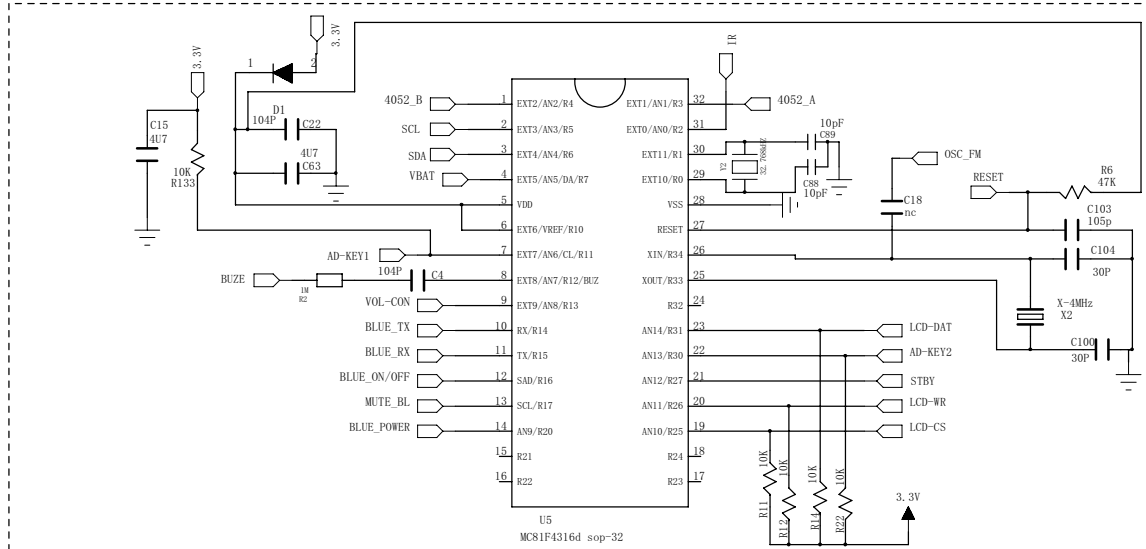


choose one

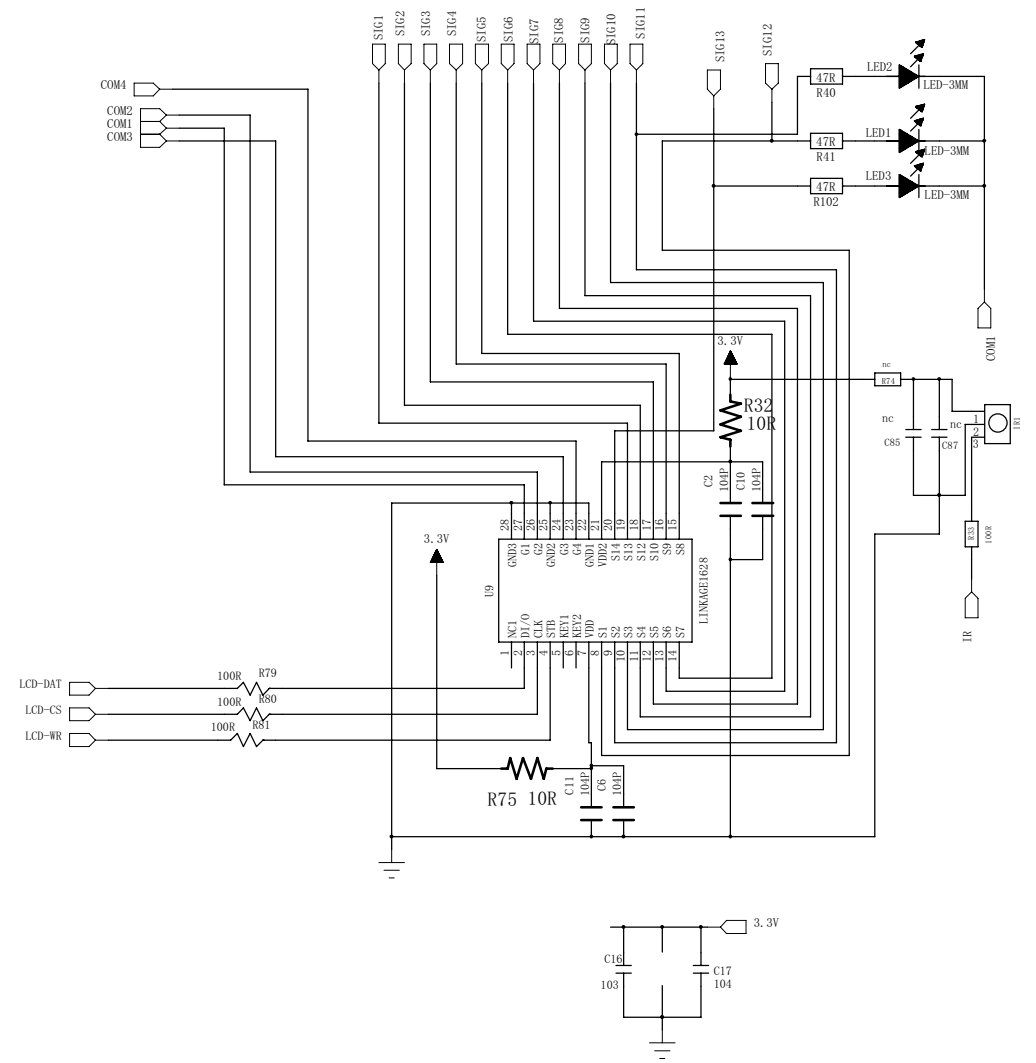
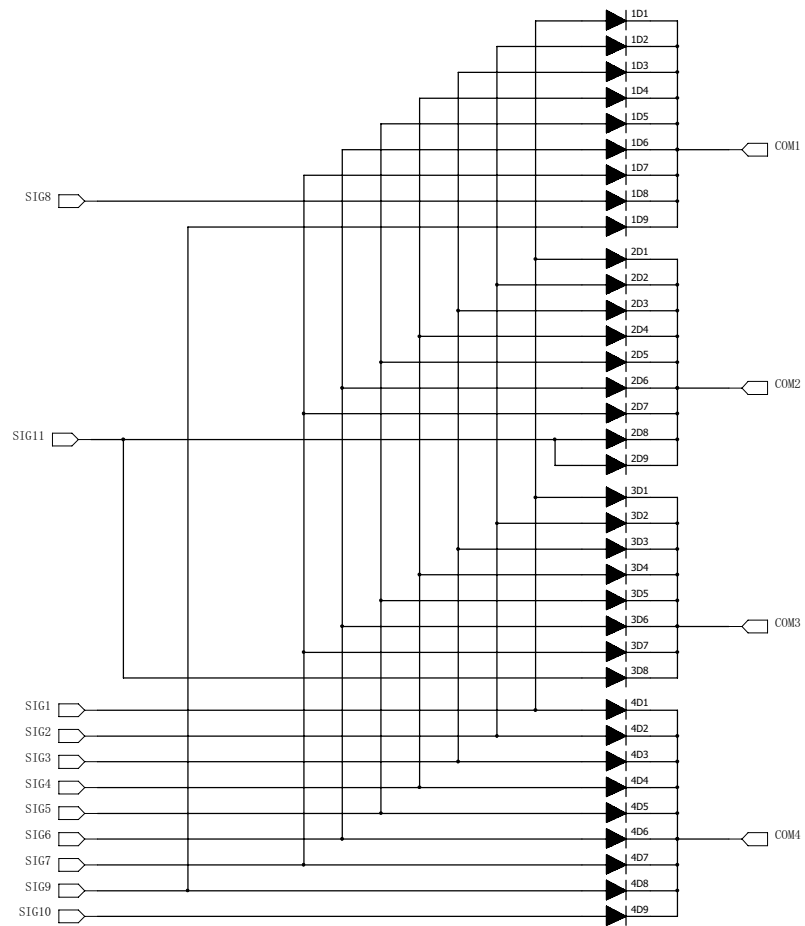
COMPANY:		DOSS ELECTRONICS CO., LTD		
TITLE:		ds-1060 MCU		
DRAWN: CAO qinghua	DATED: 2011-09-10	CODE:	SIZE:	DRAWING NO:
CHECKED:	DATED:			REV: A. 0
APPROVED:	DATED:	SCALE:		SHEET: 5 OF 1



COMPANY: DOSS ELECTRONICS CO.,LTD				
TITLE: ds-1060 MCU				
DRAWN: CAO qinghua	DATED: 2011-09-10	CODE:	SIZE:	DRAWING NO:
CHECKED:	DATED:			REV: A.0
APPROVED:	DATED:			
SCALE:				SHEET: 5 OF 2



COMPANY:		DOSS ELECTRONICS CO., LTD		
TITLE:		ds-1060 MCU		
DRAWN: CAO qinghua	DATED: 2011-09-10	CODE:	SIZE:	DRAWING NO:
CHECKED:	DATED:			REV: A.0
APPROVED:	DATED:			
SCALE:				SHEET: 5 OF 3



COMPANY:		DOSS ELECTRONICS CO., LTD			
TITLE:		ds-1060 MCU			
BRAIN: CAO qinghua	DATED:	CODE:	SIZE:	DRAWING NO:	REV:
CHECKED:	DATED:				A. 0
APPROVED:	DATED:	SCALE:	SHEET: 5 OF 4		