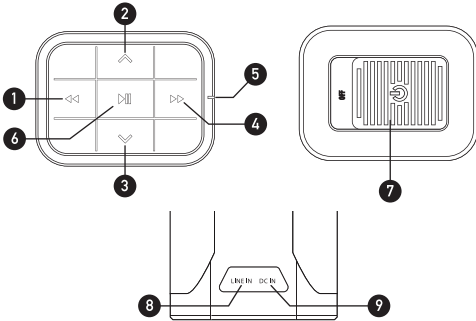


BELO

Model: SP58092 DS-1379
Name:Bluetooth Speaker

SPEAKER FEATURES



1. Prev Button
2. Volume Up
3. Volume Down
4. Next Button
5. Light Indicator
6. Quick Press: Play/Pause
7. Power On/Off
8. AUX Audio Input
9. Charging Port

INDICATORS

| INDICATOR | | STATUS |
|----------------|---------------|---------------|
| | Blink in Blue | Pairing |
| Bluetooth | Light in Blue | Connected |
| *#5 in diagram | Light in Red | Line-In Mode |
| Battery | Light in Red | Charging |
| *#5 in diagram | Light in Blue | Fully charged |

CHARGING THE UNIT

Connect your BELO speaker to any computer or AC adaptor with a USB port by using the included USB-to-Micro USB cable.

HANDS FREE INSTRUCTIONS

When there is call coming in, press the phone button to answer, streaming music will pause; and press again to end the phone call, streaming music will resume. Hold it to refuse the call.

BLUETOOTH PAIRING

1. Make sure your device has Bluetooth capability.
2. Turn the speaker on.
3. Follow the instructions of your device to pair the unit.
4. Select "BELO" from the Bluetooth list on your device. If prompted, enter "0000" as the passcode.

AUDIO CONTROLS

1. Adjust the volume by pressing the volume up or down buttons on speaker; or controls on your Bluetooth device.
2. Choose the prev/next song by pressing the prev or next buttons on the speaker; or controls on your Bluetooth device.
3. Press pause button on the speaker to play/pause music or just control the music by press play/pause on your device.
4. If the red light is flashing, this indicates the battery is low.
5. When not playing music, turn the power to OFF

AUX-IN MODE

1. Plug one end of a 3.5mm Audio cable into the unit. The LED indicator light will display a red light
2. Plug the other end of the AUX Audio cable into your audio devices.
3. Turn the speaker on, it will play music from the audio device.
4. Press and hold on the volume up or down buttons to adjust the volume.
5. If you want to play/pause the tune, just control the native buttons on your audio device.

SPECIFICATIONS

- Model No.: BELO SP58092
- Output power: 2.5W*2 (THD=10%)
- Bluetooth A2DP, AVRCP function
- Rechargeable Li-ion battery included
- Battery capacity: 1750mAh
- Frequency Response: 80Hz-18KHz
- S/N Ratio: Line in/Bluetooth >65dB
- Micro USB jack, power by USB cable (USB cable included)
- Efficient working distance: within 10meters

This product is not a toy.



Made in China exclusively for
iWave Sicura Media, Inc.
New York NY 10018
support@iwaveaudio.com
www.iwaveaudio.com



iWave and the iWave logo are registered trademarks of iWave Sicura Media, Inc.
The Bluetooth® word mark and logos are registered trademarks owned by Bluetooth SIG, Inc. and any use of such marks by iWave is under license. All other trademarks and trade names are those of their respective owners.

SAFETY INFORMATION

⚠ WARNING:

Please read these safety warnings and cautions carefully to ensure your personal safety and prevent property damage.

Fire and Electric Shock Hazard

- Do not drop, disassemble, open, crush, bend, deform, puncture, shred, microwave, incinerate, paint, or insert foreign objects in to the speaker. Such actions could result in electric shock.
- Clean the speaker only with a dry cloth.
- Do not expose your speaker to extremely high or low temperatures.
- Do not leave your speaker in direct sunlight for extended periods of time.
- Do not leave your speaker near open flames such as cooking burners, candles, or fireplaces.
- Do not block any ventilation openings.

BUILT-IN BATTERY CARE: Please observe the following if the product contains a battery

- Your product is powered by a rechargeable battery. The full performance of a new battery is achieved only after two or three complete charge and discharge cycles.
- The battery can be charged and discharged hundreds of times, but will eventually wear out.
- Unplug the charger from the electrical plug and the product when not in use. Do not leave a fully charged battery connected to a charger, since overcharging may shorten its lifetime.
- If left unused, a fully charged battery will lose its charge over time.
- Leaving the product in hot or cold places, such as in a closed car in the summer and winter conditions, will reduce the capacity and lifetime of the battery.
- Always try to keep the battery between 0°C and 45°C (32°F and 113°F). A product with a hot or cold battery may not work temporarily, even when the battery is fully charged. Battery performance is particularly limited in temperatures well below freezing.

Battery/Charger Hazard

1. It's dangerous if you replace the battery improperly.
2. You can only use the same type or equivalent type of battery to replace the damage one .
3. Battery shall not be exposed to an overheating environment such as sunshine and fire .

Warning:

To reduce the risk of electric shock, do not remove cover (or back). Refer servicing to qualified service personnel.

⚠ CAUTION:

- Do not use abrasive cleaners to clean your speaker. It could cause scratches and damage.
- Do not bring your speaker in to contact with any sharp objects. It could cause scratches and damage.
- Do not insert anything into your speaker unless otherwise specified in the user instructions. This may damage the internal components.
- Do not attempt to repair, modify, or disassemble your speaker yourself, it does not contain any user-serviceable components.
- Do not attempt to replace your speaker battery, it is built-in and is not changeable.
- Use only the manufacturer supplied charger to charge your speaker. Other chargers may look similar, but using them could result in electric shock and could damage.
- Observe all signs and displays that require an electrical device or RF radio product to be switched off in designated areas.
- Turn off your speaker prior to boarding an aircraft. Do not use the speaker inside an aircraft unless allowed by your airline.
- Dispose of the speaker and its battery in accordance with local regulations. Do not dispose of the battery with regular household waste.

Fall Hazard

- Do not place the speaker on high surfaces such as shelves. During music playback the speaker may move which could cause the speaker to shift and fall off of the edge.

Automobile Accident Hazard

- Do not leave or store the speaker or any of its accessories near or over your automobile's air bag as serious injury may result when an air bag deploys.

FCC Disclaimer:

This device Complies with Part 15 of the FCC Rules. Operation is subject to the following two conditions: (1) this device may not cause harmful interference, and (2) this device must accept any interference received, including interference that may cause undesired operation.

The manufacturer is not responsible for any radio or TV interference caused by unauthorized modifications to this equipment. Such modifications could void the user authority to operate the equipment.

This equipment has been tested and found to comply with the limits for a Class B digital device, pursuant to Part 15 of the FCC Rules. These limits are designed to provide reasonable protection against harmful interference in a residential installation. This equipment generates, uses, and can radiate radio frequency energy and, if not installed and used in accordance with the instructions, may cause harmful interference to radio communications. However, there is no guarantee that interference will not occur in a particular installation. If this equipment does cause harmful interference to radio or television reception, which can be determined by turning the equipment off and on, the user is encouraged to try to correct the interference by one or more of the following measures:

- Reorient or relocate the receiving antenna.
- Increase the separation between the equipment and receiver.
- Connect the equipment into an outlet on a circuit different from that to which the receiver is connected.
- Consult the dealer or an experienced radio/TV technician for help.

This device complies with Part 15 of the FCC Rules and Industry Canada license-exempt RS5 standard(s). Operation is subject to the following two conditions; (1) this device may not cause harmful interference, and (2) this device must accept any interference received, including interference that may cause undesired operation.

The manufacturer is not responsible for any radio or TV interference caused by unauthorized modifications to this equipment. Such modifications could void the user's authority to operate the equipment. Under Industry Canada regulations, this radio transmitter may only operate using an antenna of a type and maximum (or lesser) gain approved for the transmitter by Industry Canada. To reduce potential radio interference to other users, the antenna type and its gain should be so chosen that the equivalent isotropically radiated power (e.i.r.p.) is not more than that necessary for successful communication.



www.iwaveaudio.com

iWAVE[®]