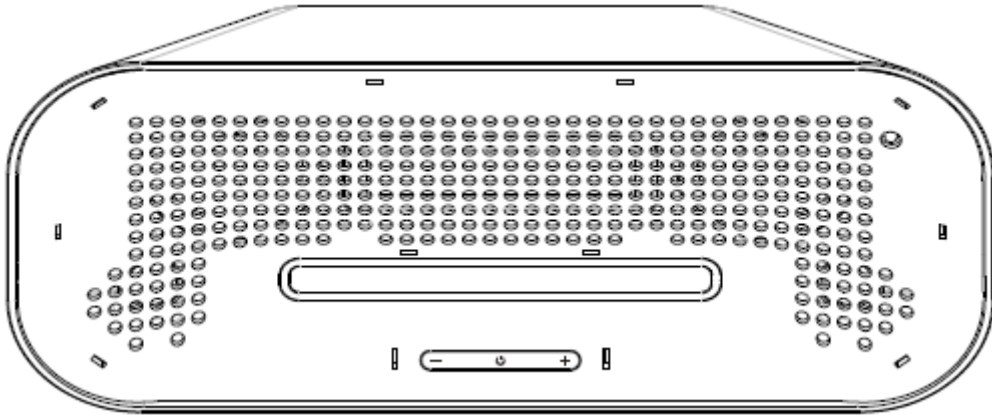


Bluetooth Speaker

DS-827B



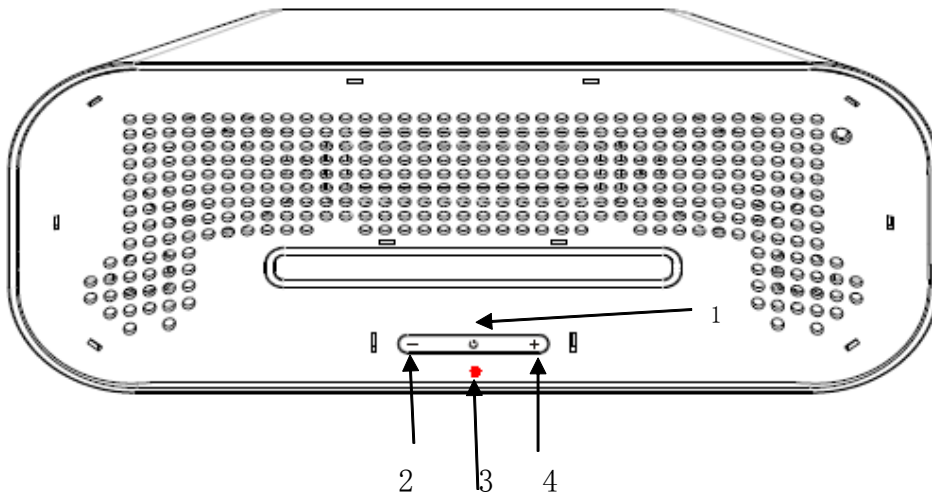
Thank you to have chosen our product. This product has been created by our professional team and according to the USA regulation. For a better use of your new device, we recommend you to read carefully this user manual and keep it for record.



Specifications

- Model No.: DS-827B
- Power by : 12V 1.5A
- Output power: 8W X 2 (THD=10%)
- Working distance: < 10 M (Distance differs from different cellphone Bluetooth devices and the environments)

Product sketch map



1. Power button & Play/Pause under Bluetooth mode

Remark:

Press for 1s to turn on the speaker

Under Bluetooth mode: Press to play/pause

Press and hold for 3S to turn off the speaker.

Under AUX mode: press: no function

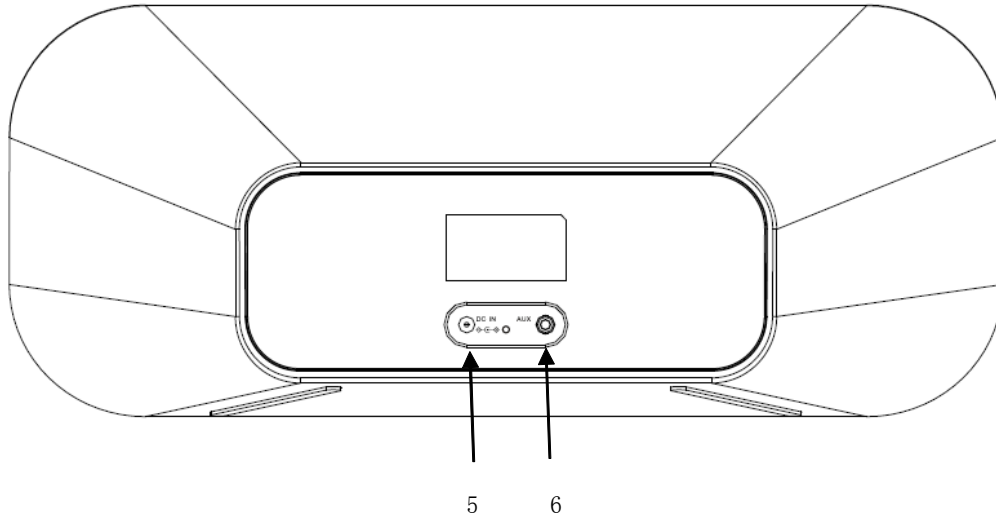
Press and hold for 3s to turn off the speaker.

2. Volume down

3. Mode indicator

4. Volume up

Status	Indicator
Bluetooth reconnect	Blue light flash slowly
Bluetooth paring	Blue light flash fast
Paired	Blue light
AUX IN mode	Red light



5. DC IN JACK
6. AUX IN JACK

Pairing Bluetooth Speaker

1. Press the Power button to turn on the speaker. The speaker is defaulted in Bluetooth reconnect Mode and the Blue light is flash slowly (The speaker is searching for the previous connected Bluetooth device in the first 15s, if that device is on, then the speaker will reconnect with it automatically in 15s), and blue LED starts flashing.
If the speaker could not find the previous connected Bluetooth device in 15s, it will turn to Bluetooth searching mode (Search for new Bluetooth device) and now the blue light is flash fast.
2. Turn on your Bluetooth device, search "iBT50" in your Bluetooth searching list, then pair your Bluetooth device with the speaker. (If your Bluetooth device ask for password, please insert "0000".)

Both the speaker and your Bluetooth device will store the device name. Next time, when you use the same Bluetooth device to connect the speaker, no password is asked.

Playing Audio Wirelessly

1. Follow the instruction of [Pairing Bluetooth Device](#)
2. Adjust the volume by press or hold on the **-** or **+** buttons on speaker; or native controls on the Bluetooth device.
3. Press Pause button **Power button** on the speaker to play/pause the tune or just

- control the tune by press Play/Pause on your Bluetooth device.
4. When do not play music, please press the Power button to turn off the speaker.
 5. If you want to disconnect the speaker with your Bluetooth device,pls just operate it on your phone.
 6. The speaker will be turned into Standby mode if there is on audio input in 15mins.

Using the 3.5mm Audio Input

1. Plug the UL adaptor with the speaker and make sure it is well connected with the power.
2. Turn on the speaker.Plug one end of a 3.5mm Audio cable into the unit. The mode indicator light will display a red light.
3. Plug the other end of the 3.5mm Audio cable into other audio devices.
4. Turn on the speaker, it will play music from the audio device.
5. Press and hold on the **-** or **+** buttons to adjust the volume.
6. If you want to Play/pause the tune, just control the native buttons on your audio device.

FCC Statement:

This device complies with part 15 of the FCC Rules. Operation is subject to the following two conditions: (1) This device may not cause harmful interference, and (2) this device must accept any interference received, including interference that may cause undesired operation.

This equipment has been tested and found to comply with the limits for a Class B digital device, pursuant to part 15 of the FCC Rules. These limits are designed to provide reasonable protection against harmful interference in a residential installation. This equipment generates, uses and can radiate radio frequency energy and, if not installed and used in accordance with the instructions, may cause harmful interference to radio communications. However, there is no guarantee that interference will not occur in a particular installation. If this equipment does cause harmful interference to radio or television reception, which can be determined by turning the equipment off and on, the user is encouraged to try to correct the interference by one or more of the following measures:

- Reorient or relocate the receiving antenna.
- Increase the separation between the equipment and receiver.
- Connect the equipment into an outlet on a circuit different from that to which the receiver is connected.
- Consult the dealer or an experienced radio/TV technician for help.

Caution: Any changes or modifications not expressly approved by the party responsible for compliance could void the user's authority to operate the equipment.