

# TDJ-5158BKRx2A-RZ1

## Panel Antenna

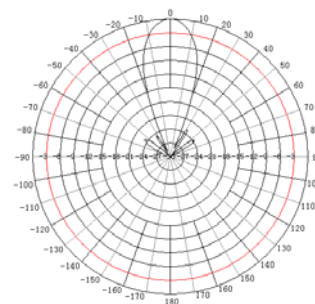
### Technical Sheet



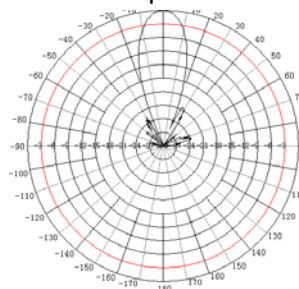
#### Applications

- 5GHz WIAN /WiMax system
- Dual-polarization operation
- High gain, Low profile
- Various configurations such as standalone, integrated or internal component

#### Typical Patterns



H-plane

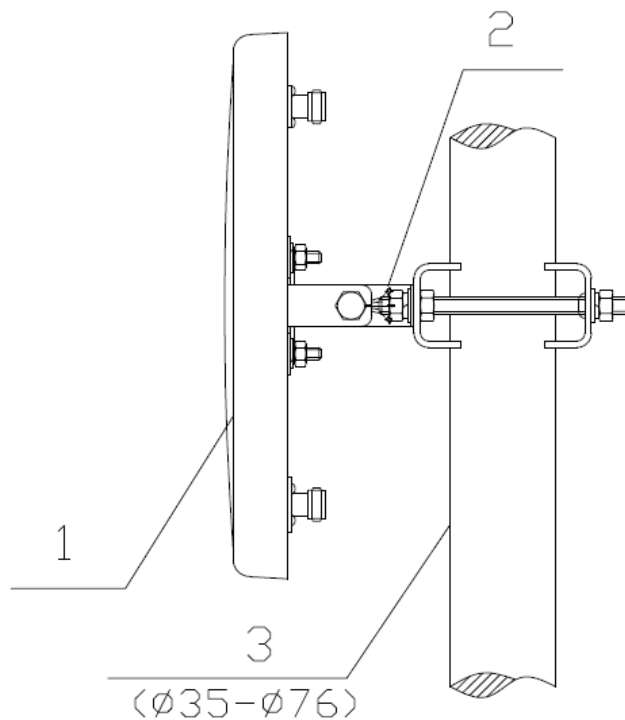


E-plane

#### Specifications

Model	TDJ-5158BKRx2A-RZ1
Freq.Range-MHz	5150 to 5850
Bandwidth-MHz	700
Gain-dBi	18
Beamwidth-°	E:17 H:17
Isolation-dB	≥28
F/B Ratio-dB	≥30
VSWR	≤2
Impedance-Ω	50
Polarization	Vertical/Horizontal
Max.Power-W	20
Connector	N female
Dimensions-mm	261×261×35
Weight-Kg	1.15
Mast Diameter-mm	φ 35~ φ 76

#### Installation Sketch



1. Antenna 2. Bracket 3. Mast



Kenbotong Communication LTD

Addr :NO.2 Chanxiu Road ,Foshan city,Guangdong China Code:528061  
Tel: 86(757)8202-5597, 8221-9788 Fax : 86(757)8221-2072,8802-2808  
Email: kbt@kenbotong.com web: <http://www.kenbotong.com>