

AQUATIC AV®

products with a watertight reputation

GP1 - WATERPROOF STEREO

USER / INSTALLATION MANUAL



Aquatic AV

282 Kinney Drive
San Jose, CA 95112, USA

E-mail: info@aquaticav.com
US & Canada: 1 877 579 2782
International: +1 408 559 1668
Fax: +1 408 559 0125

www.aquaticav.com

AQUATIC AV®

products with a watertight reputation

! PLEASE READ THIS INSTRUCTION MANUAL BEFORE
INSTALLATION AND OPERATION !

1 Getting Started.....3
 1.1 Contents.....3
 1.2 Connections.....3
 1.3 Connections Diagram.....4
 1.4 Installation.....5
 1.5 Power On.....5
 2 Controlling the Stereo.....6
 2.1 Location of Controls.....6
 2.2 Control Functions.....7
 3 Listening via Bluetooth.....8
 3.1 Listening via Bluetooth.....8
 3.2 Pair with Bluetooth Audio Device.....8
 3.3 Listening via Bluetooth Audio Device.....8
 3.4 Bluetooth Multi-Link.....8
 4 Listening via USB.....9
 4.1 Listening via USB.....9
 4.2 Direct Search by Track Number.....9
 4.3 Random Playback.....9
 4.4 Repeat Playback.....9
 4.5 Device Charging.....9
 5 Listening to AM/FM Radio.....10
 5.1 Listening to AM/FM Radio.....10
 5.2 Manually Save AM/FM Radio Stations to Memory.....10
 5.3 Automatically Save AM/FM Radio Stations to Memory.....10
 5.4 Listening to Saved Radio Memory.....10
 6 Audio & Settings Menus.....11
 6.1 Audio Menu.....11
 6.1.1 EQ.....11
 6.1.2 Loudness.....11
 6.2 Settings Menu.....11
 6.2.1 Beep Tone.....11
 6.2.2 Info/Clock.....11
 6.2.3 Power On Volume (P-VOL).....12
 6.2.4 Area USA/Euro.....12
 6.2.5 Local On/Off.....12
 6.2.6 Stereo/Mono.....12
 7 Additional Features.....12
 7.1 Listening to Auxiliary Devices.....12
 7.2 Dimmer High/Low.....12
 8 Specifications & Dimensions.....13
 8.1 Specifications.....13
 8.2 Dimensions.....13
 9 Warranty Information.....14

FCC ID:
 MADE IN CHINA

FCC Statement to the User

This equipment has been tested and found to comply with the limits for a Class B digital device, pursuant to Part 15 of the FCC Rules. These limits are designed to provide reasonable protection against harmful interference in a residential installation. This equipment generates, uses and can radiate radio frequency energy and, if not installed and used in accordance with the instructions, may cause harmful interference to radio communications. However, there is no guarantee that interference will not occur in a particular installation. If this equipment does cause harmful interference to radio or television reception, which can be determined by turning the equipment off and on, the user is encouraged to try to correct the interference by one of the following measures:

1. Reorient or relocate the receiving antenna.
2. Connect the equipment into an outlet on a circuit different from that to which the receiver is connected.
3. Increase the separation between the equipment and receiver.
4. Consult the dealer or an experienced radio/TV technician for help.

FCC Caution:

Any changes or modifications not expressly approved by the party responsible for compliance could void the user's authority to operate this equipment.

This device complies with Part 15 of the FCC Rules. Operation is subject to the following two conditions: (1) This device may not cause harmful interference, and (2) this device must accept any interference received, including interference that may cause undesired operation

California Proposition 65 Warning

WARNING: This product contains chemicals known to the State of California to cause cancer, and birth defects or other reproductive harm.

For more information: www.P65Warnings.ca.gov



Aquatic AV offers a limited warranty of our products on the following terms:

Length of warranty

2 years on audio systems, electronics, speakers, and accessories (receipt required).

Coverage

This warranty covers only the original purchaser of an Aquatic AV product purchased from an authorized Aquatic AV dealer. In order to receive service, the purchaser must provide Aquatic AV with a copy of the receipt stating the customer name, dealer name, product purchased and date of purchase.

Defective products

Products found to be defective during the warranty period will be repaired or replaced (with a product deemed to be equivalent) at Aquatic AV's discretion.

What is not covered

Damage caused by accident, abuse, improper operations or theft. Any cost or expense related to the removal or reinstallation of product. Service performed by anyone other than an authorized Aquatic AV service center. Any product with the serial number or tamper labels defaced, altered, or removed. Subsequent damage to other components. Any product not purchased from an authorized Aquatic AV dealer.

Limit on implied warranties

Any implied warranties including warranties of fitness for use and merchantability are limited in duration to the period of the express warranty set forth above. Some states do not allow limitations on the length of an implied warranty, so this limitation may not apply. No person is authorized to assume for Aquatic AV any other liability in connection with the sale of the product.

How to obtain service

You must obtain a return material authorization number (RMA) to return any product to Aquatic AV. You are responsible for shipping charges of returned products to Aquatic AV.

Priority Customer Support & Free Extended Warranty

In order to receive the best customer support from Aquatic AV we recommend you register your product for a free extended warranty.

Register your product for extended warranty and priority support at www.aquaticav.com/register

Please record the model and serial number[s] of your equipment in the space provided below as your permanent record and will assist us with your factory warranty coverage. These numbers can be found on the chassis label found on the rear of the stereo on the wire harness.

Model number[s]:	Serial number[s]:


1.1 Contents

- GP1 Gauge Size Waterproof Stereo
- User/Installation Manual
- Wiring Harness (AQ-UNH-2)
- Mounting Bracket
- Two (2) Stainless Steel screws
- Two (2) Stainless Steel nuts

1.2 Connections (see Wiring Diagram 1.3)

1. 12-pin Watertight Harness

The 12-pin harness supplies power and ground connections to the stereo and four (4) speaker channel output connections from the stereo.

 *Do not cut or modify the 12-pin harness on the stereo side or warranty will be void.*

2. AM/FM Radio Antenna Jack

Allows connection of AM/FM radio antenna. For best AM/FM performance make sure the antenna is extended to the highest achievable position.

3. Auxiliary Outputs

Allows external amplifiers to be connected to power additional speakers.

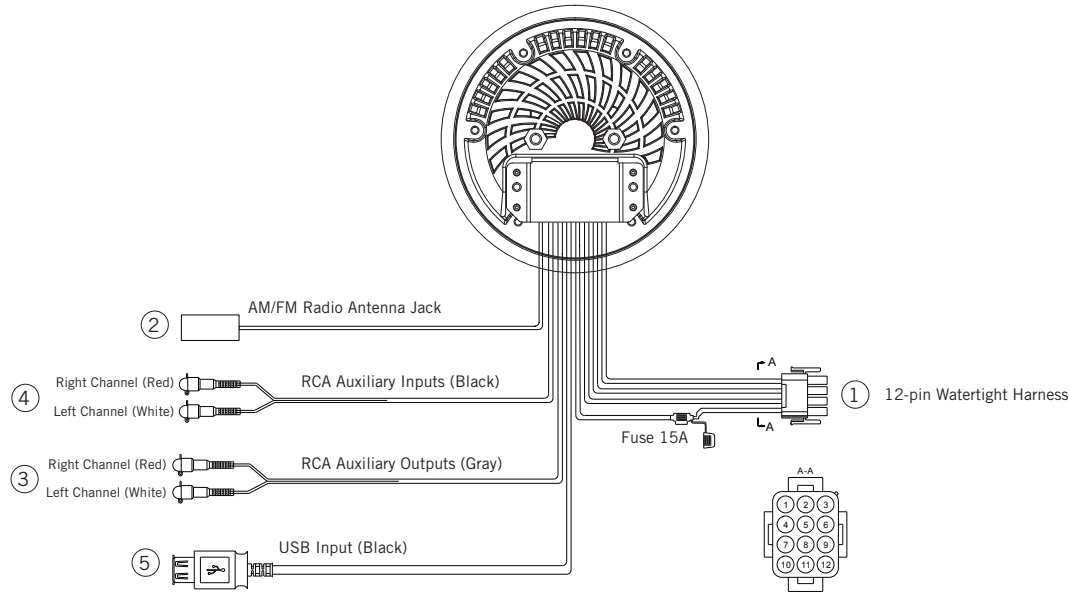
4. Auxiliary Inputs

Allows an additional RCA input, from a standalone unit or another stereo source.

5. USB Input

Play USB thumb drives with supported audio media and charge devices when connected.

1.3 Connections Diagram



12-pin Watertight Harness*		
Pin No.	Wire Color	Description
1	Green	LR Speaker (+)
2	Green/Black	LR Speaker (-)
3	Red	Acc (+12V)
4	White	LF Speaker (+)
5	White/Black	LF Speaker (-)
6	Yellow	Battery (+12V)
7	Gray	RF Speaker (+)
8	Gray/Black	RF Speaker (-)
9	Blue	Power AMP Remote
10	Violet	RR Speaker (+)
11	Violet/Black	RR Speaker (-)
12	Black	Ground

- ⚠ No lower than a 2 Ohm speaker load should be used or damage may occur to the stereo. Make sure the polarity of speakers is connected correctly.
- ⚠ All open wire connections should be soldered and protected against water and dust for best long-term performance.

8.1 Specifications

Media

Supported Media.....Bluetooth Audio / USB / MP3 / AM/FM / AUX
 Device Charging.....via rear USB cable (2.1A)

Display

Display Type..... Monochrome TFT with blue backlight
 Clock Display..... Yes
 Variable Screen Brightness..... 100% and 30% settings

Inputs

Bluetooth.....Bluetooth Audio
 USB.....1x USB
 Auxiliary.....1x stereo pair RCA

Outputs

Pre-Out.....1x stereo pair RCA (2V)

Radio

AM/FM Tuner.....18x FM pre-set & 12x AM pre-set memory. US/Euro frequencies

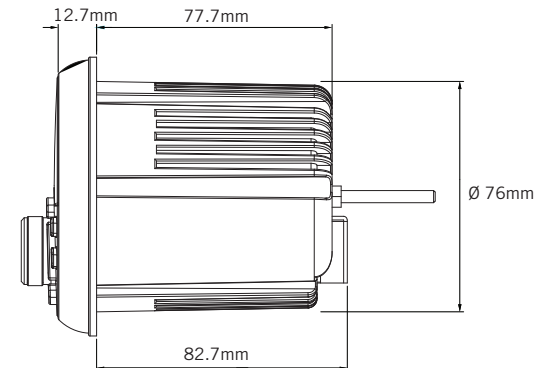
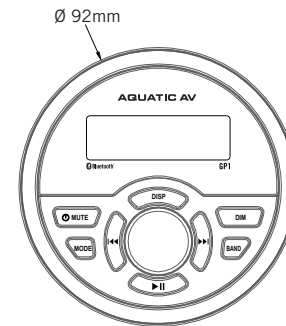
Power

Power (max).....4x 45W (4 Ohms), 4x 72W (2 Ohms)
 Amplifier Type.....Class A/B (2 Ohm stable)
 Output Voltage..... 10.5V - 14.4V DC
 Current Draw.....7A (max) / <3mA (standby)

Multi-Environment Certifications

Waterproof / Dustproof..... Yes - IP65
 Conformal PCB Coating.....Yes
 UV Protection.....500hrs stable, ASTM D4329 compliant
 Salt/Fog Protection.....500hrs stable, ASTM B117 compliant
 Certifications.....CE, RoHS, WEE, FCC
 Stainless Steel Mountings..... Yes

8.2 Dimensions



6.2.3 Power On Volume (P-VOLUME)

Sets the maximum volume the stereo will be set when powering the unit on. If the stereo is switched off with a lower volume than the P-Vol setting then the lower volume setting will be used.

Normal volume control and operation is resumed once the Rotary Selector is turned after switching the stereo on.

6.2.4 Area USA/Euro

Select USA or European AM/FM radio frequencies.

i USA mode will increase and decrease the FM frequency in steps of 0.1 MHz, e.g. 88.5, 88.6, 88.7 MHz. EURO mode will increase and decrease the FM frequency in steps of 0.05 MHz, e.g. 88.25, 88.30, 88.35 MHz.

6.2.5 Local On/Off

When Local is turned on the stereo seeks to only the radio channels with strong signal strength. When Local is turned off the stereo will seek to all radio channels it receives signal from.

i When Local setting is turned on the word 'Local' will appear in the upper right hand corner of the stereo's display.

6.2.6 Stereo/Mono

Change the output mode between stereo and mono.

Additional Features

7.1 Listening to Auxiliary Devices

1. Connect your audio device to the rear RCA connectors using a stereo RCA cable.
2. Press MODE on the stereo to select 'AUX IN' mode.
3. Play the song from your auxiliary audio device and the sound will play through the stereo.
4. Volume level will be determined by the auxiliary device's audio output level.

⚠ Always ensure you connect and disconnect the stereo with dry hands!

7.2 Dimmer High/Low

Adjust the display brightness from 100% for normal operation to 30% brightness to reduce screen glare during night time operation.

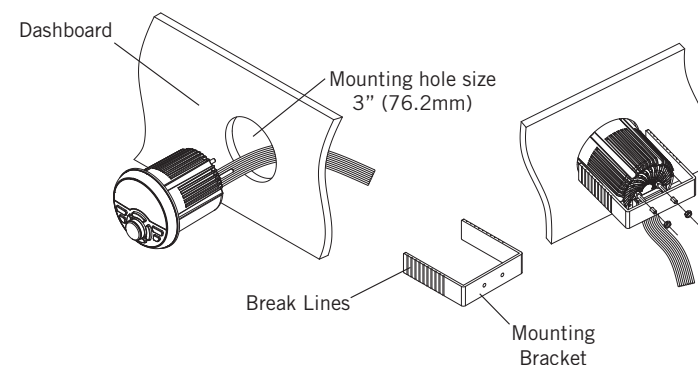
1.4 Installation

PLEASE READ THIS INSTRUCTION MANUAL BEFORE INSTALLATION AND OPERATION.

Aquatic AV recommends installation of this stereo by a professional technician.

Aquatic AV recommends using the 'measure twice, cut once' method!

1. Check clearances on both sides of a planned installation area before drilling any holes.
2. Drill a pilot hole at the center point and then use a circular saw to drill a hole with a 3" (76.2mm) diameter.
3. Slide the GP1 stereo through the mounting hole and secure the stereo using the mounting bracket, screws and washers. If the bracket needs to be shortened this can be done by removing the appropriate number of breakaway segments using a pair of pliers.
4. Once complete make sure the outside surface is clean and clear of debris to ensure a proper water/dust seal. The GP1 stereo has an external water/dust proof gasket which requires a clean and flat surface for long-term environmental protection performance.



1.5 Power On

In a spa application the red and yellow wires should be jumped together and then connected to the +12VDC output of the power source. In this set up the GP1 will always be on, with a very low current draw when idle.

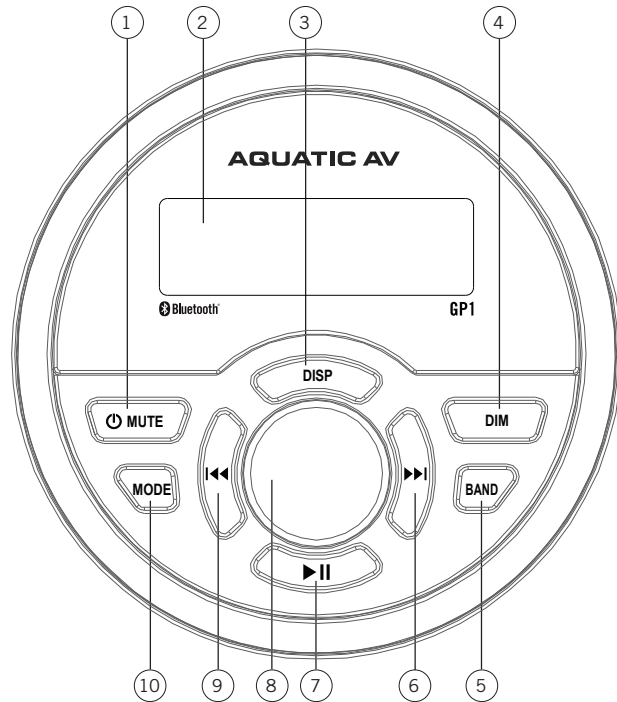
In a boat, ATV or other application requiring power from a battery, the yellow wire (constant power) should be connected to the battery, and the red wire should be connected to the ignition or a switch.

For detailed instructions you can check out our online video:

'How to wire your Aquatic AV stereo system'
<http://www.aquaticav.com/support/videos>

Once all connections are made press the POWER/MUTE button and the stereo will turn ON. Press and hold the POWER/MUTE button to turn the unit OFF.

2.1 Location of Controls



- | | |
|-----------------------|---------------------------|
| 1. Power/Mute | 6. Next / Fast Forward |
| 2. LCD Display | 7. Preset / Play/Pause |
| 3. Display | 8. Rotary Selector |
| 4. Dimmer | 9. Previous / Fast Rewind |
| 5. Band / File Search | 10. Mode |

6.1 Audio Menu

1. Press the Rotary Selector to enter the Audio menu. The available Audio options are:
BASS - TREBLE - BALANCE - FADER - EQ - LOUD
2. Press the Rotary Selector to navigate the menu options.
3. Turn the Rotary Selector to adjust the desired Audio option.
4. Press the Rotary Selector to confirm your change and continue in the Audio menu or wait 5 seconds for the unit to time out to close the Audio menu.

i Any changes made in the Audio menu are system wide and will affect all modes.

6.1.1 EQ

The GP1 stereo is equipped with an audio DSP (Digital Signal Processor) to provide preset listening experiences for different music types. If you have chosen a preset equalizer setting (Classic, Rock, Pop, Flat, Off (default)) the previous Bass & Treble settings will be overridden.

6.1.2 Loudness

Increases the sound output level by 15dB.

6.2 Settings Menu

1. Press and hold the Rotary Selector to enter the Settings menu. The available Settings options are:
BEEP - CLOCK - P-VOLUME - AREA - LOCAL - STEREO/MONO
2. Press the Rotary Selector to navigate the menu options.
3. Turn the Rotary Selector to adjust the desired Setting option.
4. Press the Rotary Selector to confirm your change and continue with your selections in the Settings Menu or allow 5 seconds for the menu to time out.

i Any changes made in the Settings menu are system wide and will affect all modes.

6.2.1 Beep Tone

The Beep tone plays when any button is pressed. This can be switched ON or OFF in the Settings Menu.

6.2.2 Info/Clock

Short press the DISP button to display either Clock or Information, or change the time as below.

1. Press and hold the DISP button for 2 seconds. The hours '00' will display flashing.
2. Turn the Rotary Selector to change the hour and then press to confirm.
3. The minutes '00' will display flashing. Turn the Rotary Selector to change the minutes and press to confirm.

5.1 Listening to AM/FM Radio

1. Enter radio mode by pressing MODE and selecting FM1, FM2, FM3, AM1 or AM2.
2. Press BAND button to select the radio band.
3. Navigate the available stations using the FAST REWIND / FAST FORWARD buttons.
4. Press FAST REWIND / FAST FORWARD to seek another station.
5. Press and hold FAST REWIND / FAST FORWARD for manual tuning. (Manual tuning will time out after 5 seconds of no action then will revert back to Seek/Auto).

5.2 Manually Save AM/FM Radio Stations to Memory

1. Tune to the station you would like to be saved as a preset.
2. Press and hold the PLAY/PAUSE button and the stereo will display 'SAVE CH1'.
3. Turn the Rotary Selector to select the desired preset slot you would like to save the current station to.
4. Press the Rotary Selector to save the preset.
5. Upon successfully saving a preset the preset number that was chosen will be shown in the right corner.

i Presets are only for the current band you are on. Each band FM1, FM2, FM3, AM1 and AM2 has six presets for a total of 30 (18x FM & 12x AM).

5.3 Automatically Save AM/FM Radio Stations to Memory

Press and hold the BAND button for 2 seconds to auto store stations to preset locations 1-6 of bands FM1-FM3 when in FM or AM1-AM2 when in AM.

5.4 Listening to Saved Radio Memory

1. Press the PLAY/PAUSE button and the stereo will display CH 'X'.
2. Turn the Rotary Selector to the desired preset channel.
3. Press the Rotary Selector to start listening to the preset selected.

2.2 Control Functions

Button	Action	AM/FM	USB	AUX	BLUETOOTH
Power/Mute	Short Press	Power ON Mute ON/OFF			
	Long Press	Power OFF			
Dimmer	Short Press	Dimmer High/Low			
	Long Press	No function	Repeat Playback	No function	No function
Mode	Short Press	Change source			
	Long Press	Bluetooth off/link			
Band / File Search	Short Press	Change Band	File search	No function	No function
	Long Press	Auto Store	Random Playback	No function	No function
Display	Short Press	Info/Clock			
	Long Press	Clock setting			
Preset / Play/Pause	Short Press	Show CH1. Rotate to select CH1-CH6	Play/Pause	No function	Play/Pause
	Long Press	Manual Save Station	No function	No function	No function
Next / Fast Forward	Short Press	Seek Up	Next File	No function	Next File
	Long Press	Turn Up	Fast Forward	Press and Hold for 5 sec to reset unit	No function
Previous / Fast Rewind	Short Press	Seek Down	Previous File	No function	Previous File
	Long Press	Turn Down	Fast Rewind	Show Version	No function
Rotary Selector	Rotate	Volume Up/Down	Volume Up/Down	Volume Up/Down	Volume Up/Down
	Short Press	BAS / TRE / BAL / FAD / EQ / LOUD	BAS / TRE / BAL / FAD / EQ / LOUD	BAS / TRE / BAL / FAD / EQ / LOUD	BAS / TRE / BAL / FAD / EQ / LOUD
	Long Press	BEEP / CLOCK / P-VOL / AREA / LOCAL / ST	BEEP / CLOCK / P-VOL / AREA / LOCAL / ST	BEEP / CLOCK / P-VOL / AREA / LOCAL / ST	BEEP / CLOCK / P-VOL / AREA / LOCAL / ST

i If your music player is connected via the Auxiliary input you will not be able to control track or receive track information.

i Navigating past the last Settings Menu item (Restore) will automatically exit the Settings Menu and enter the Audio Menu. Press and hold Audio/Menu button to enter the Settings Menu again.

3.1 Listening via Bluetooth

The Bluetooth Audio menu is accessible by pressing the MODE button and is used to connect a Bluetooth Audio device or disconnect a Bluetooth Audio device that has already been paired.

3.2 Pair with Bluetooth Audio Device

1. Enable Bluetooth Audio mode by pressing MODE and selecting Bluetooth.
2. Switch on your Bluetooth Audio device.
3. Select 'AQUATIC AV GP1' from the list of available devices to pair. No password should be required however if prompted for a password use '0000'.
4. A Bluetooth logo will illuminate on the stereo's LCD to verify Bluetooth is connected.

3.3 Listening via Bluetooth Audio Device

1. Bluetooth Audio mode will be activated once a Bluetooth Audio device is paired in any mode. Use MODE to change to Bluetooth Audio mode to listen to music from your device.
2. Play the song from device and the sound will play through the stereo.
3. Press PLAY/PAUSE to play or pause the song.
4. Press FAST REWIND / FAST FORWARD buttons to play previous/next song file.
5. Previous/next track and volume up/down can also be controlled directly from your Bluetooth Audio device.

i Bluetooth functions are device specific and not all devices will allow Fast Forward/Rewind or Next/Previous to work.

3.4 Bluetooth Multi-link

A second Bluetooth Audio device can pair to the stereo even when music is playing from the first Bluetooth Audio device.

1. Long press MODE to unlink first device.
2. Pair second device by selecting 'Aquatic AV GP1' in the device's Bluetooth menu.
3. Once paired, playing music from device 2 will override device 1 and the stereo should begin playing from device 2.
4. Should you wish to play music from the first device again, repeat steps 1, 2 & 3.

4.1 Listening via USB

1. Attach your USB thumb drive to the female USB connector and the music files on the USB will play automatically.
2. If your USB device is readable then USB source mode will be automatically selected and your compatible content will begin to play.
3. Press PLAY/PAUSE to play or pause the music.
4. Press FAST REWIND / FAST FORWARD once play previous / next song file.
5. Press and hold FAST REWIND / FAST FORWARD to fast forward / fast rewind the song file.

i Playback and navigation of music files via USB includes MP3 and WMA files.

4.2 Direct Search by Track number

1. Press BAND button and the display will show 'NUM ****'
2. Turn the Rotary Selector to select numeric value.
3. Press FAST REWIND / FAST FORWARD to move to the next number in the sequence.
4. Once the desired file number is selected press the Rotary Selector or allow the timer to auto select the track number being displayed.

4.3 Random Playback

Press and hold the BAND button to toggle RDM ON or RDM OFF (default).

4.4 Repeat Playback

Press and hold the DIM button to toggle RPT ONE, RPT FOLD, RPT ALL (default).

4.5 Device Charging

When specified USB devices such as Smartphones or MP3 players are connected with a standard male-to-female USB cable the device's battery will charge automatically. The USB connection will deliver up to 2.1A of current to charge a device battery.