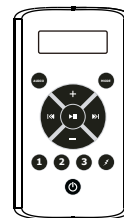
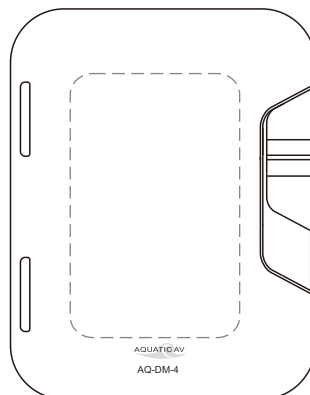


MODEL: AQ-DM-4UBT
FILE NAME: IB-DM-4UBT_manual_103012

AQUATIC AV®

iPod™ + MP3

INSTRUCTION MANUAL

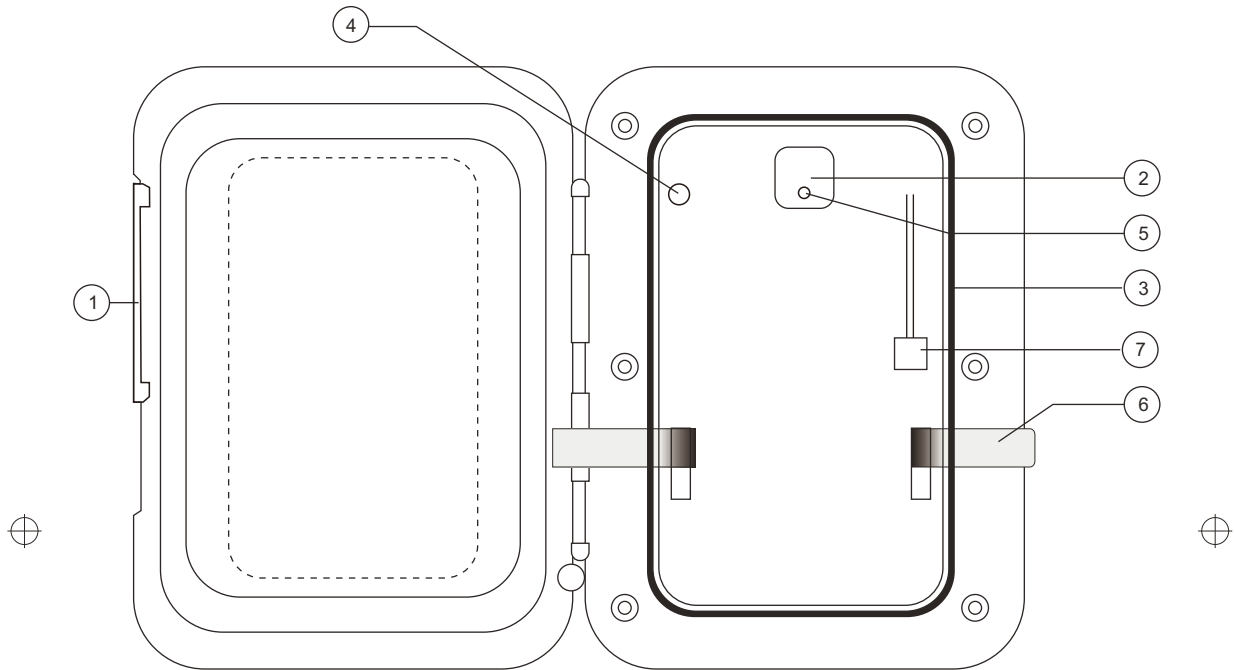


Model AQ-DM-4UBT
Water/Dust Proof MP3/iPod™ Digital Media Locker™
With
Floating RF LCD Wireless Remote Control

Please read this Instruction Manual
before installation and operation

LOCATION OF CONTROLS

MP3/iPod™ Water/Dust Proof Digital Media Locker™



Part	Description
1	Digital Media Locker Knob and Protective Door
2	ON/Off Power Button
3	Water/Dust Protection Inner Gasket
4	3.5mm Aux Input Jack for Audio player Devices
5	ON/Off Power LED
6	Security Strap for Digital Media Devices (MP3/iPod™)
7	USB™ Connector (for music Play back only, cannot be connected with PC and palm function devices)

GETTING STARTED

CONTENTS:

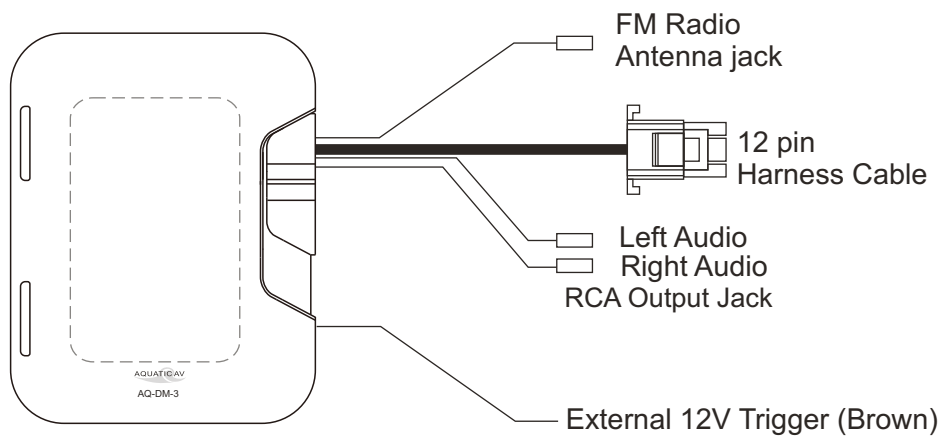
Please make sure the following items are included.

- a) AQ-DM-4UBT Digital Media Locker
- b) Water/Dust Proof RF Wireless Remote Control
- c) Six (6) Stainless Steel Wood Screws
- d) One (1) CR-2430 Battery
- e) Mounting template

INSTALLATION

Cable Connection

1. Plug and Play Connector: The AQ-DM-4UBT incorporates a 12 pin "plug and play" connector harness. Owner product application options may require an "optional" connector option. Contact your dealer for details.
2. FM Radio: make sure the FM Antenna is fully extended at the highest possible level (Height) for best performance.
3. Aux Inputs: The AQ-DM-4UBT has a 3.5mm jack Audio Auxiliary Inputs so you can connect other RCA based devices.



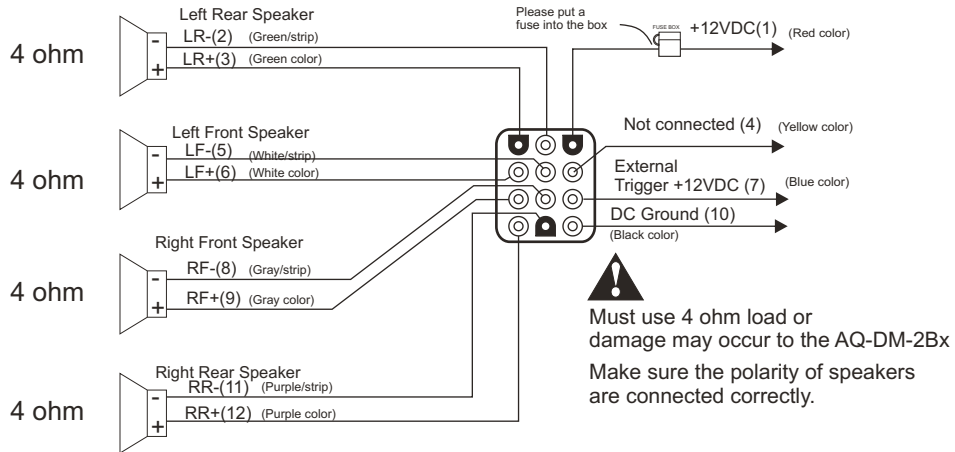
i For non-OEM use, wiring harness must be ordered separately
Part number AQ-UNH-1 or AQ-UNH-2

GETTING STARTED

12 Pin Harness Cable Connection

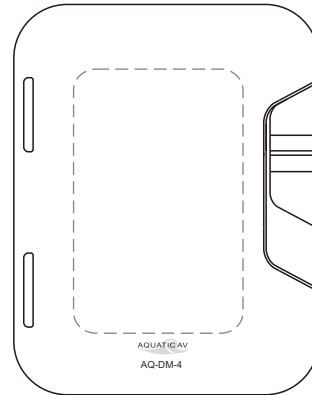
Aquatic AV recommends the use of a optional "plug and play" connector for best performance (AQ-UNH-1). This connector is not included.

For detailed information, please call the re-seller. If you choose not to use the "plug and play" option, you can use the wiring schematic below. All open wire connections should be soldered, and protected against Water/Dust for best long term performance.



Mounting the Unit

1. Mounting templates are included. Aquatic AV recommends to utilize the "measure twice, cut once" Method.
2. Once the mounting hole is complete, make sure the outside surface is clear of debris. The AQ-DM-4UBT has an external water/dust proof gasket, but it needs a clean surface for best performance.
3. The AQ-DM-4UBT has Six (6) front screws. Drive the 6 pcs of screws with a screw driver. During final mounting, apply equal pressure to all points for best water/dust outer seal performance.
4. Review all outside surfaces of the AQ-DM-4UBT to insure proper water/dust seal. This is important for the long term environmental protection performance for iPod or MP3 devices.



GETTING STARTED

REMOTE BATTERY INSTALL

Remove the Water/Dust Proof RF Wireless Remote control from the Digital Media Locker™. Unscrew the waterproof cap on the back of the remote control. place the CR-2430 battery in the RF Remote control and replace the water/dust proof cap.

POWER ON

To activate the Digital Media Locker™, press the on/off button, standby mode will be indicated by a red LED. ON mode will be indicated by a blue LED.

When the unit is in the standby position the red LED will be lit

REMOTE SYNCHRONIZING

Press and hold MODE button on the remote. Then it will show "pair". Keep pressing this key. Then press the power button of the locker from off(no light) to standby (red light) to pair with the locker.
If the pairing is successful it will show "welcome". LED will turn blue. If pair is not successful. Please repeat the step above.

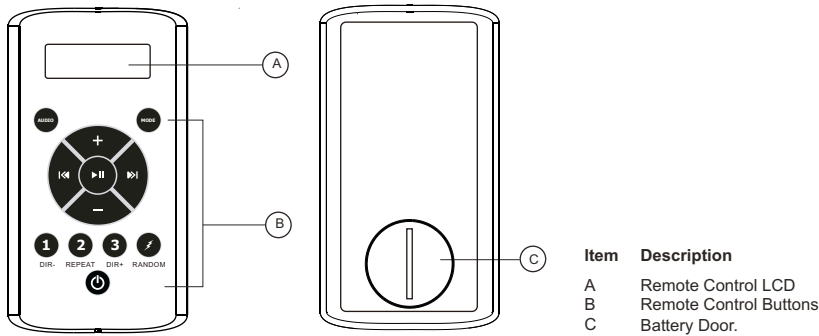
i The remote control uses state-of-the-art technology and will inform you if the dock is receiving the command from the remote control. In any case,if the LCD display "NO LINK" this means that your Locker is off or remote control is out of reception range.

Each Digital Media Locker™ comes with a matching RF (Radio Frequency) Wireless LCD Remote control. This remote is required use any functions on the unit.For any additional remote controls, you will need to activate/Synchronize those remote controls to the S1 by following the steps above.

i If you loose your remote control and buy another new remote control, please follow the above to start pairing before normal usage.

LOCATION OF CONTROLS

RF LCD WIRELESS REMOTE CONTROL






Buttons		Music Mode	FM Radio Mode
Power		Press once: toggle from Operation mode to Standby mode or vise versa.	
12V trigger /Random		Press once: random function Press and hold: Toggle external power	Press once: No function. Press and hold: Toggle external power
Volume up		Press once: Volume UP a value Press and hold: Fast volume up	Press once: Volume UP a value Press and hold: Fast volume up
Volume down		Press once: Volume DOWN a value Press and hold: Fast volume down	Press once: Volume DOWN a value Press and hold: Fast volume down
Mode		Press once: Change the source. Press and hold: Pair	Press once: Change the source. Press and hold: Pair
Audio		Press once: Enter BAL-FAD-DSP-LOUD-VOL	Press once: Enter BAS-TRE-BAL-FAD-DSP-AREA-LOUD-DX-STEREO-VOL.
1/DIR-		Press once: back to previous folder. Press and hold: back to previous folder.	Press once: Listen to the station which in the No. 1 Press and hold: stored a station into No. 1.
2/Repeat		Press once: repeat function. Press and hold: repeat function.	Press once: Listen to the station which in the No. 2 Press and hold: stored a station into No. 2.
3/DIR+		Press once: to next folder. Press and hold: to next folder.	Press once: Listen to the station which in the No. 3 Press and hold: stored a station into No. 3.
Fast Rewind		Press once: Last track Press and hold: Fast Rewind	Press once: seek down Press and hold: change to manual scanning
Pause/Play		Press once: Play/Pause Press and hold: Play/Pause	Press once: toggle mute Press and hold: toggle mute
Fast Forward		Press once: Next track Press and hold: Fast Forward	Press once: seek up. Press and hold: change to manual scanning

- i** If your music player is not an ipod, you will not be able to control track or receive track information
- i** In order to prolong remote battery life the LCD will shut off in 20 seconds if no other button is pressed. To turn remote back on press any key once and then press the command desired.
- i** Shut off DSP to access control of Bass and Treble control

LISTENING TO PLAYERS


LISTENING TO USB/IPOD

1. Power up the Digital Media Locker™.
2. Attach your USB/iPod device to the Digital Media Locker.
3. Press (POWER)  on the remote control or Power button on the locker to turn it ON.
4. Press  (Mode) on the remote control to select USB/ipod mode. Use the buttons as shown in the remote function chart.



 If you are listening to iPod and you change your mode to Radio or standby mode, the iPod will automatically pause playing and the Charging screen will appear.

 ***Always ensure to connect and disconnect your media player with dry hands.***

LISTENING TO MP3

1. Power up the Digital Media Locker™.
2. Attach your MP3 device to the 3.5mm connector.
3. Press  (Mode) on the remote control to select AUX mode.


ADJUSTING VOLUME LEVEL

1. Press  (VOLUME UP) once to increase the volume by 3 decibels.
2. Press  (VOLUME DOWN) once to reduce the volume by 3 decibels.
3. Press and hold either UP or DOWN and the Digital Media Locker™ will increase or decrease audio volume continuously.

LISTENING TO FM RADIO





ENTER FM RADIO MODE

1. Press  (MODE) on remote control to switch to FM radio model.

 If this is the first time you listen to FM radio, the default frequency will be 87.5MHz, as shown on the remote LCD.





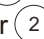

 FM radio is only available when you are in the FM Radio Mode.

TO SCAN OR NAVIGATE CHANNELS




1. Press  (FAST REWIND) or  (FAST FORWARD) to seek another station.
2. Press and hold either  (FAST REWIND) or  (FAST FORWARD) for manual tuning back or forward.

SAVING RADIO CHANNEL TO MEMORY

If you want to save the current frequency into memory.

1. If you want to save the current frequency into memory, press and hold  or  or  for more than 2 seconds. The station will be stored to the relevant button  or  or .

LISTENING TO SAVED RADIO MEMORY

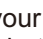
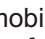
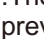
1. Press  key  or  button once to listen to the station stored in button.

BT mode.

1. Pair with the BT mobile phone.

Switch on your mobile phone BT device scan program to scan the BT device. You will find the 'AQUATIC AV' device. Select it to pair. The password is "0000".


2. Play mobile's song.

BT mode will be activated once a blue tooth device is linked. Then play the song in your mobile. The sound will come from the speaker of the unit. Press  /  button for previous/next file. Press  for play/pause.

OTHER FEATURES

EXTERNAL TRIGGER


We understand the need for more flexible remote applications. With the Digital Media Locker, we have provided an independent 12V "accessory" trigger, activated from the RF Wireless Remote that allows the user to activate non-iPod, MP3 related devices. This could include any 12V based devices like 12V lights or surveillance camera.

1. In any operational mode, press and hold the (12V  TRIGGER) key to activate. Press and hold again to deactivate.
2. We strongly recommend you to speak our technical service staff or your dealer if you are considering using this feature.

 **Load on External Trigger should not exceed 350mA.**

IPOD CHARGING

When specified iPod devices are connected to the USB connector the iPod battery will charge.

 To avoid rusting as a result of electrical potential in the connector, the battery of your iPod devices must not be totally drained. If your iPod is not charged at all then the Digital Media Locker will not charge it.

REMOTE CONTROL LCD AUTO OFF

To maximize battery life of the RF Wireless Remote Control, the LCD of the Control remote will be OFF if no key is pressed in 20 seconds. To re-activate the LCD display, press any key once to bring the remote control to normal operation.

SPECIFICATION

TECHNICAL SPECIFICATION

General

Power Supply	:	10.7V-14.4V DC,5A min.
Current drain when Standby	:	10 mA
Remote Control Frequency	:	2.4GHz
Remote Control Battery	:	3V (1 x Cr2430 battery)
External Trigger	:	12V DV, 350mA max.

FM Radio

FM Radio Sensitivity	:	8uV
FM Antenna	:	Dipole Antenna (not included)
FM Radio Reception	:	Stereo
Number of Radio Preset	:	3

FCC STATEMENT

FCC ID:
MADE IN CHINA

This device complies with Part 15 of the FCC Rules. Operation is subject to the following two conditions: (1) this device may not cause harmful interference, and (2) this device must accept any interference received, including interference that may cause undesired operation.

NOTE:

The equipment has been tested and found to comply with the limits for a Class B digital device, pursuant to Part 15 of the FCC Rules. These limits are designed to provide reasonable protection against harmful interference in a residential installation. This equipment generates, uses and can radiate radio frequency energy and, if not installed and used in accordance with the instructions, may cause harmful interference to radio communications. However, there is no guarantee that interference will not occur in a particular installation.

If this equipment does cause harmful interference to radio or television reception, which can be determined by turning the equipment off and on, the user is encouraged to try to correct the interference by one or more of the following measures:

- Reorient or relocate the receiving antenna.
- Increase the separation between the equipment and receiver.
- Consult the dealer or an experienced radio/TV technician for help.

The manufacturer is not responsible for any radio or TV interference caused by unauthorized modifications to this equipment. Such modifications could void the user authority to operate the equipment.