

6

5

4

3

2

1

D

D

C

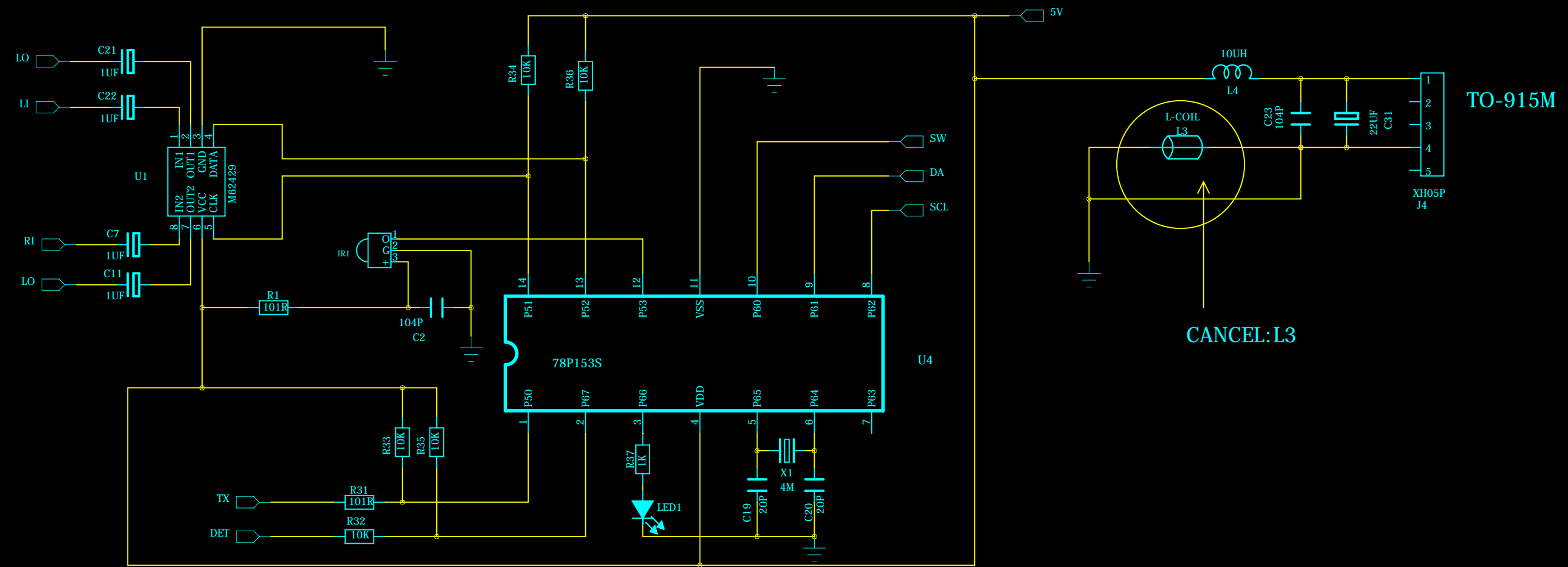
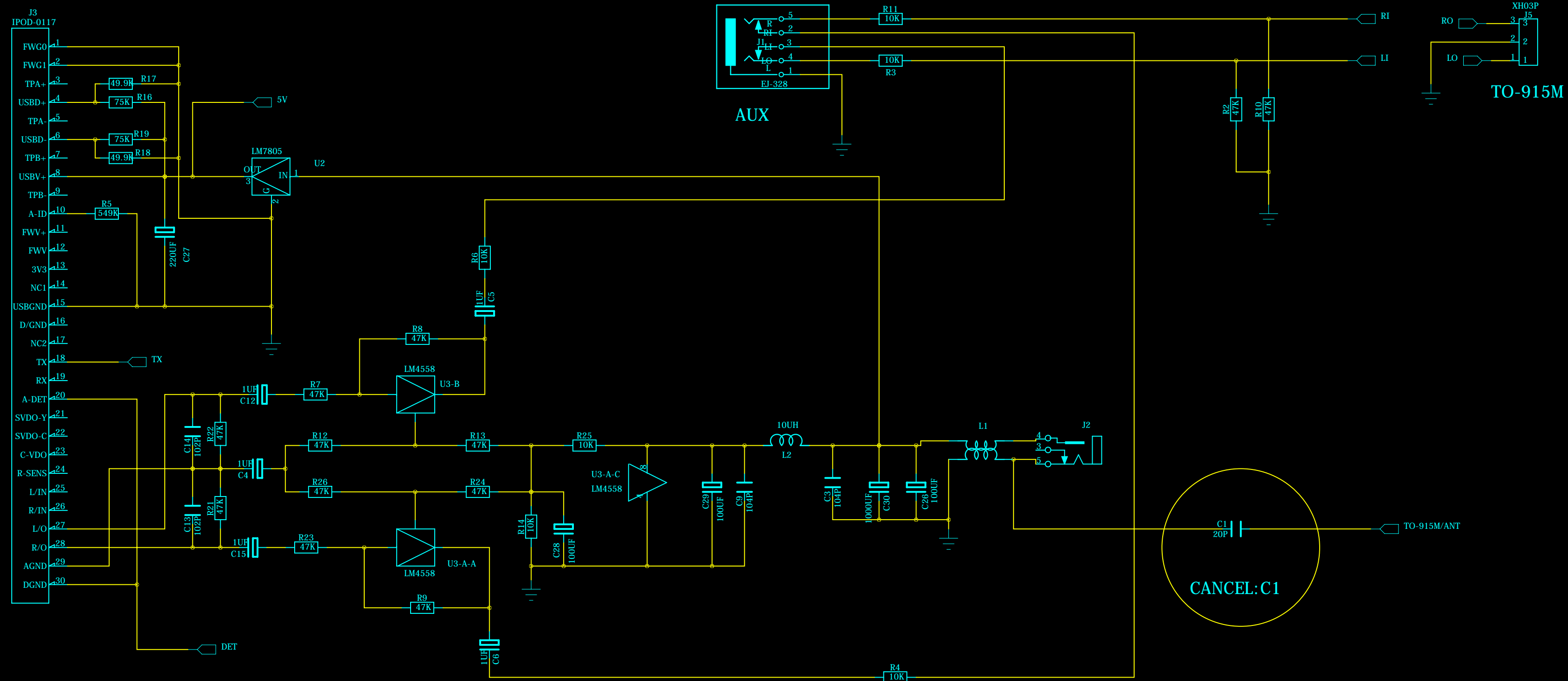
C

B

B

A

A



COMPANY: DOSS	DATED: 07/10/05	REV: 01
SCALE:	SHEET: OF	DS-464