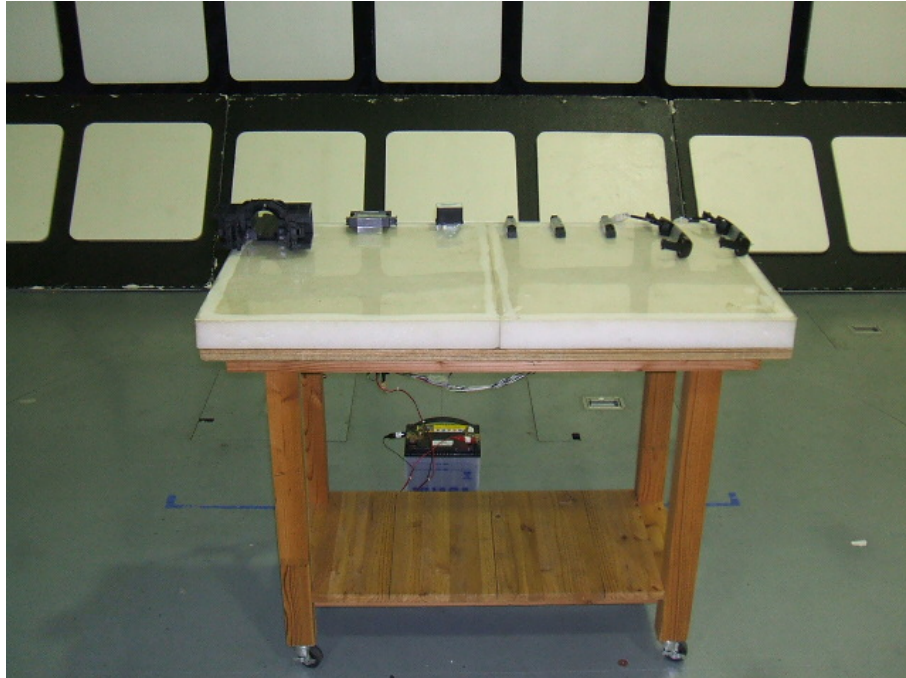
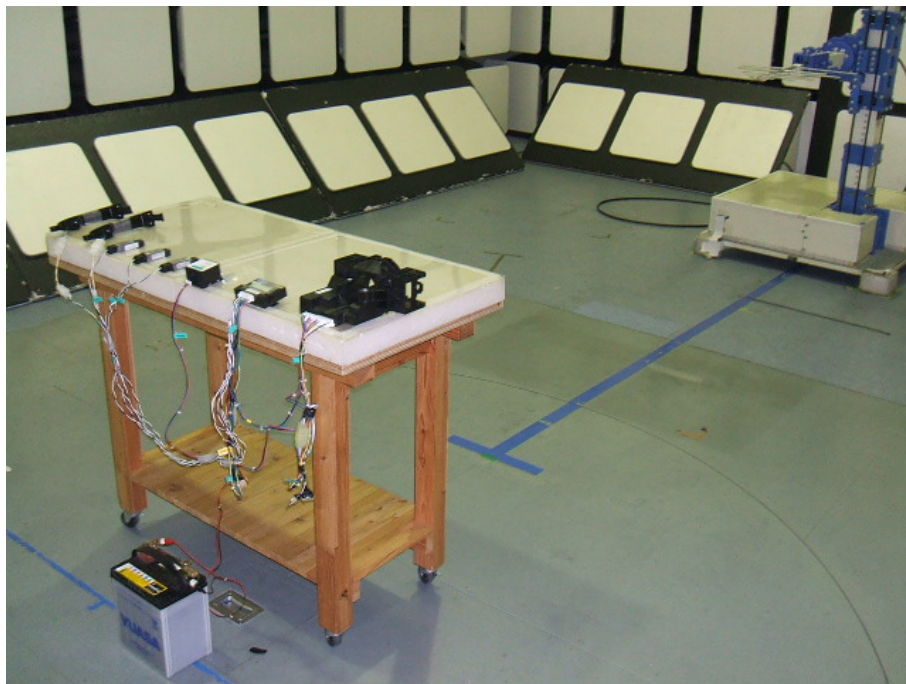


**APPENDIX 1: Photographs of test setup**

**Radiated Emission**



**Photo 1**



**Photo 2**

**Worst Case Position**  
**[Receiver]**  
**(Horizontal: X-axis/ Vertical:Y-axis)**

**X-axis**



**Y-axis**



**Z-axis**



**Worst Case Position**  
**[Bracket]**

**Type-1**



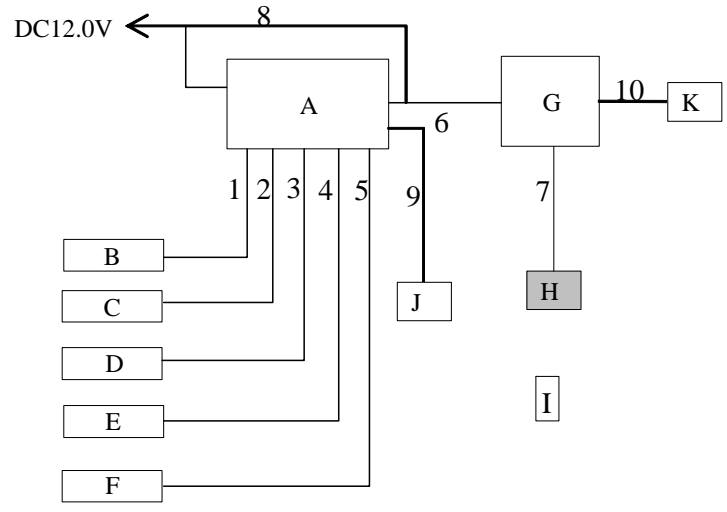
**Type-2**



**Type-3**



4.2 Configuration and peripherals



\* Cabling and setup were taken into consideration and test data was taken under worse case conditions.

**Description of EUT and Support equipment**

No.	Item	Model number	Serial number	Manufacturer	Remarks
A	Keyless System LFU	SKE134-01	20110131-L1	Mitsubishi Electric Corporation Himeji works	-
B	LF Antenna	-	Ant A	-	-
C	LF Antenna	-	Ant B	-	-
D	LF Antenna	-	Ant C	Mitsubishi Electric Corporation Himeji works	-
E	LF Antenna	-	Ant D	Mitsubishi Electric Corporation Himeji works	-
F	LF Antenna	-	Ant F	Mitsubishi Electric Corporation Himeji works	-
G	Keyless System SSU	SKE133-01	20110131-S1	Mitsubishi Electric Corporation Himeji works	-
H	Keyless System Receiver	SKE135-01	20110131-R1	Mitsubishi Electric Corporation Himeji works	EUT
I	Keyless System Hand Unit	SKE13D-01	20110208-T3	Mitsubishi Electric Corporation Himeji works	-
J	SW Box 1	-	-	Mitsubishi Electric Corporation Himeji works	-
K	SW Box 2	-	-	Mitsubishi Electric Corporation Himeji works	-

**List of cables used**

No.	Name	Length (m)	Shield		Remark
			Cable	Connector	
1	Antenna Cable	1.2	Unshielded	Unshielded	-
2	Antenna Cable	1.2	Unshielded	Unshielded	-
3	Antenna Cable	1.2	Unshielded	Unshielded	-
4	Antenna Cable	1.2	Unshielded	Unshielded	-
5	Antenna Cable	1.2	Unshielded	Unshielded	-
6	Signal & DC Cable	0.6	Unshielded	Unshielded	-
7	Signal & DC Cable	1.2	Unshielded	Unshielded	-
8	DC Cable	1.2	Unshielded	Unshielded	-
9	Signal Cable	0.8	Unshielded	Unshielded	-
10	Signal Cable	0.8	Unshielded	Unshielded	-

**UL Japan, Inc.**

**Head Office EMC Lab.**

4383-326 Asama-cho, Ise-shi, Mie-ken 516-0021 JAPAN

Telephone : +81 596 24 8116

Facsimile : +81 596 24 8124