

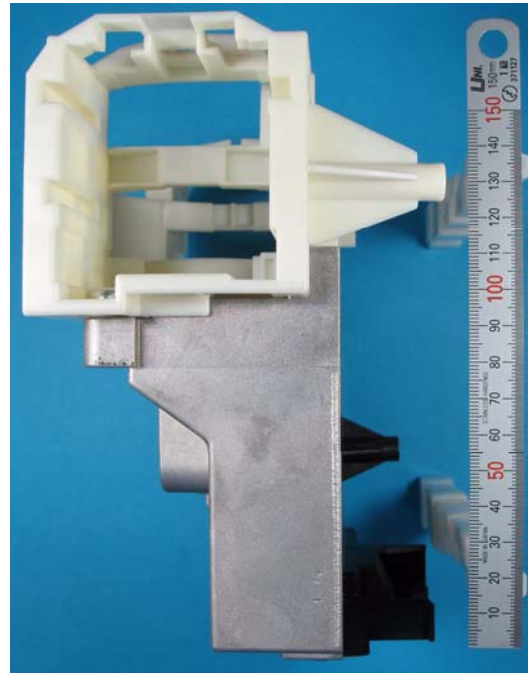
Keyless System (SSU)

Model : SKE133-02

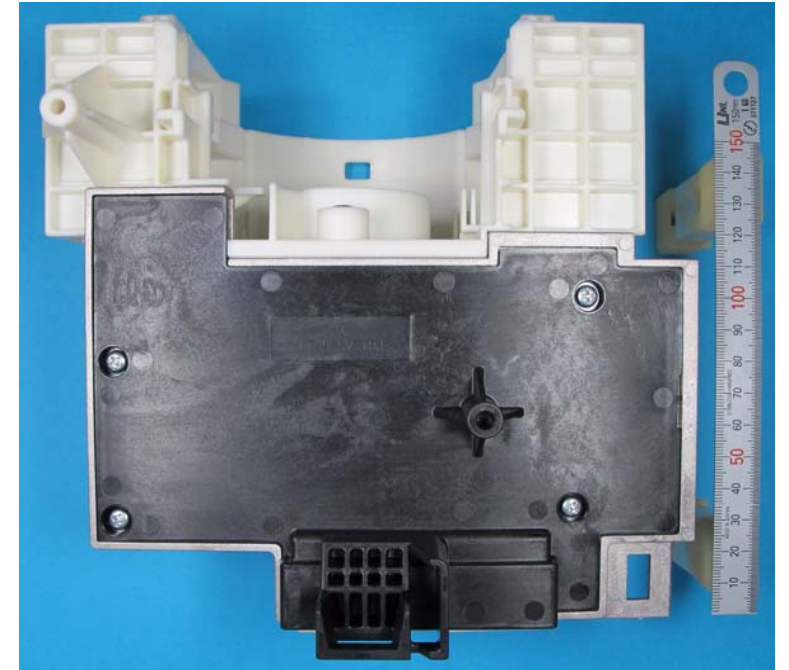
FACE



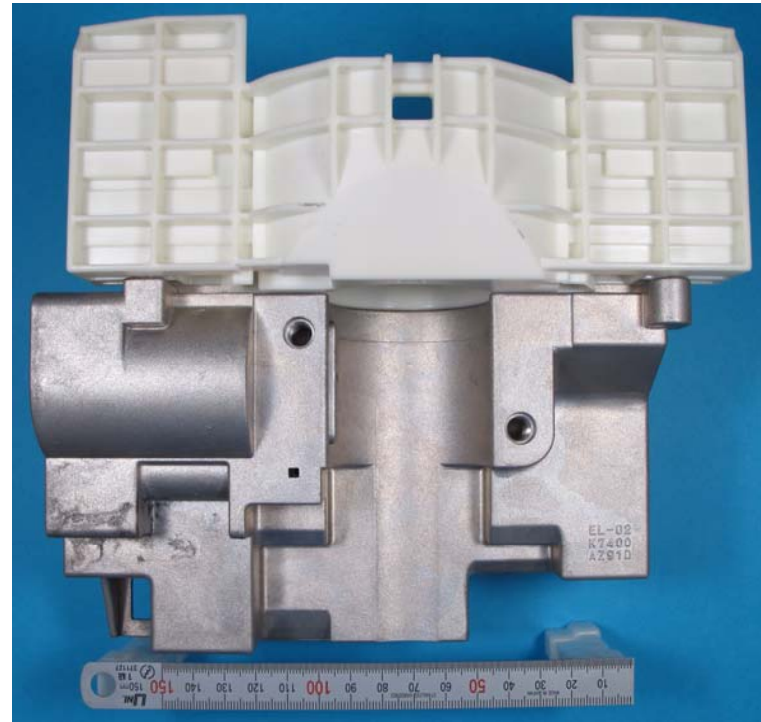
RIGHT



BOTTOM



TOP



BACK



LEFT

