

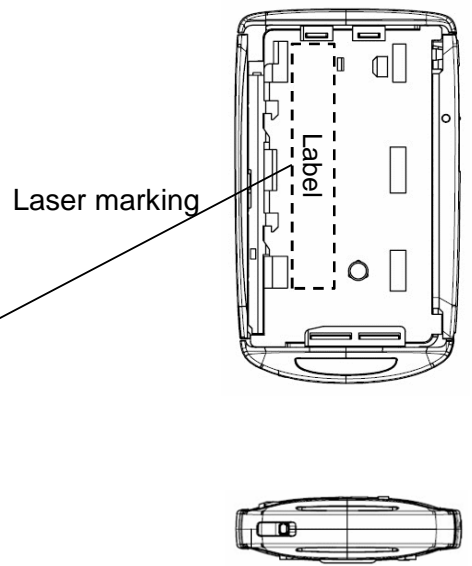
Keyless System Hand Unit Label

Model : SKE11D-01

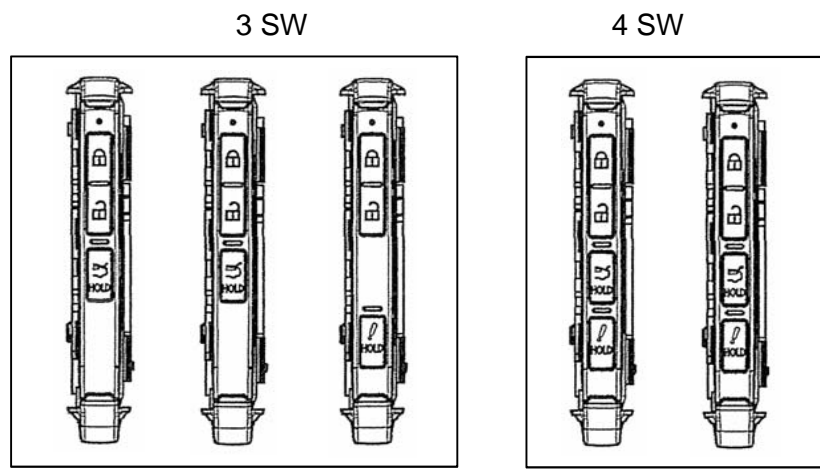
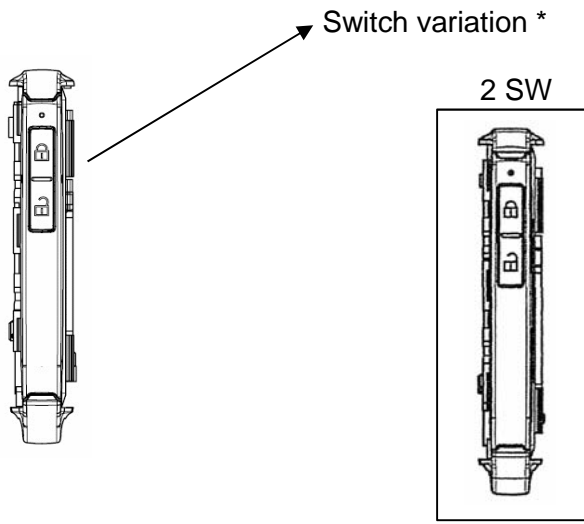
Label display**

FCC ID:WAZSKE11D01
IC: 662F-SKE11D01
CCC** MADE IN THAILAND
MITSUBISHI ELECTRIC CORPORATION MODEL:SKE11D-01

007-ACXXXX IFETEL RLVWISK18-XXXX
CCXX18LPXXXXXX



** There is no sufficient space, therefore labelling requirement will be described in the users manual.



* Switch variation do not affect the RF radio characteristic.