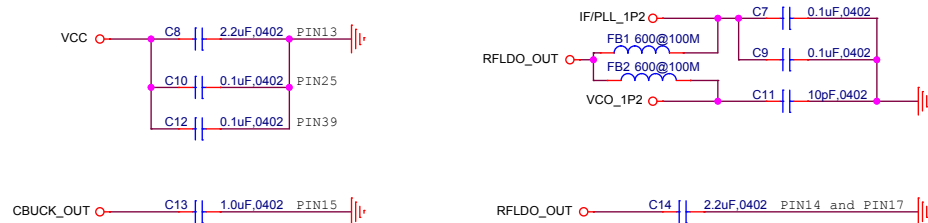
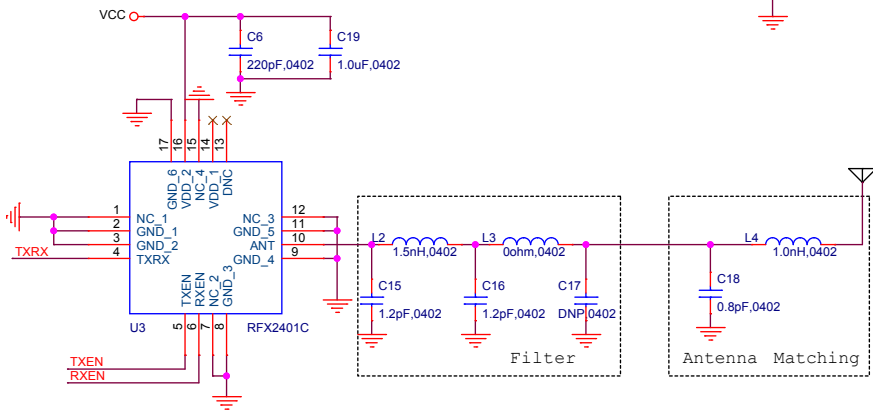
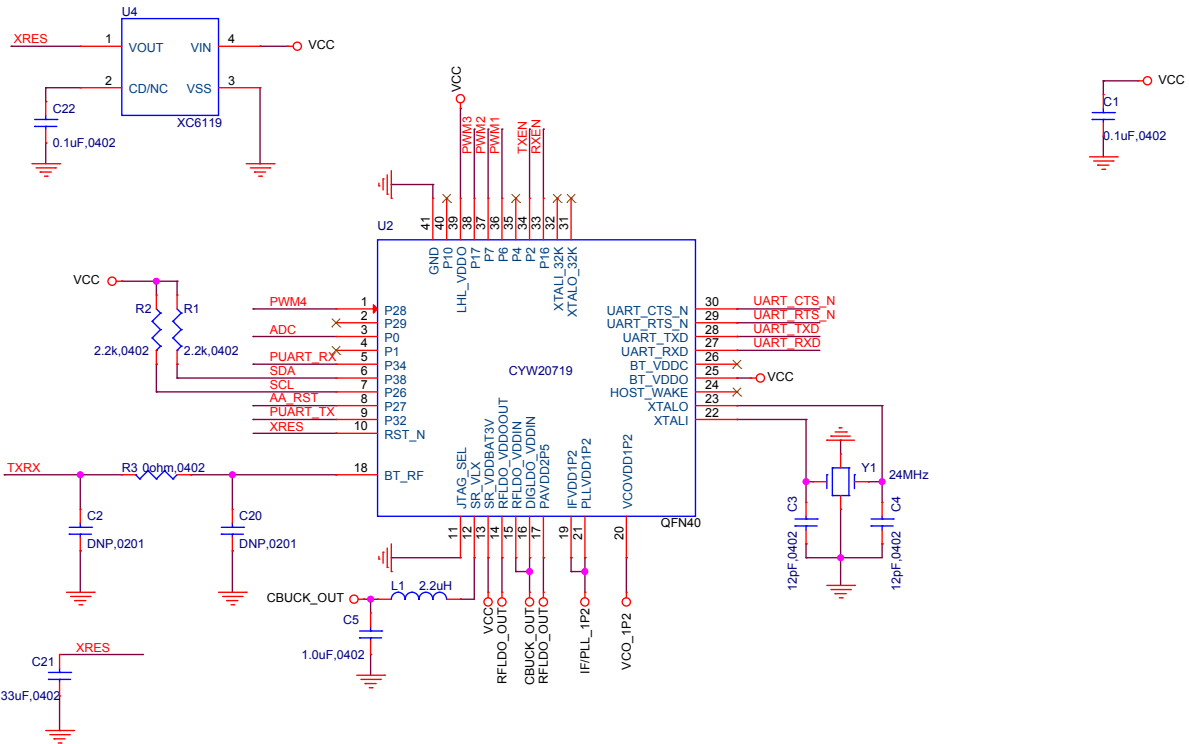
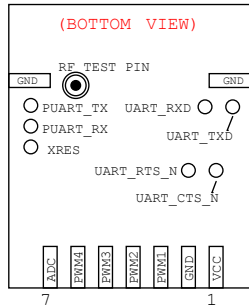
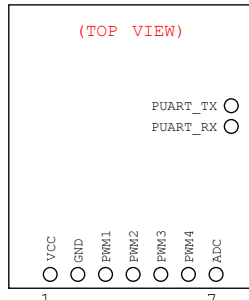
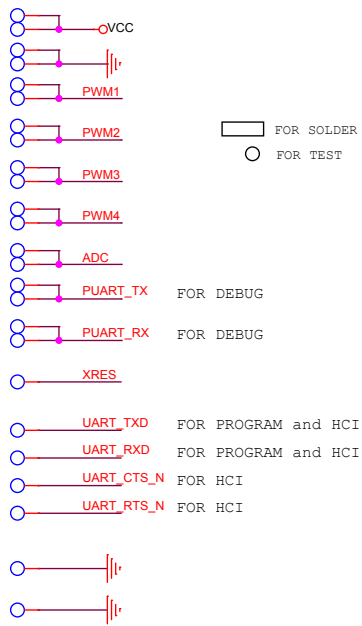


MODULE PAD ASSIGNMENT



Cypress Semiconductor Corp.		
Title		
CYBLE-413149/473148-01		
Size	Document Number	Rev
B		1.1
Date:	2017WW13	Sheet 1 of 1